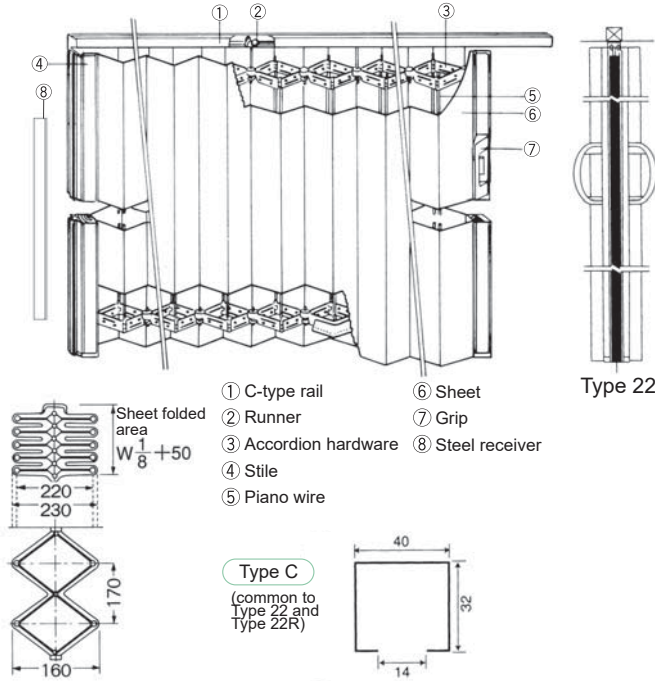


SPECIFICATION FOR HYPER ACCORDION CURTAIN (with reinforcement)

Types of hanging mechanism

Type 22

Recommended size. Please consult for further information. : width 1,000mm to max. 20,000mm
: height 1,000mm to max. 5,000mm



Weight of Sheet + Rail: Approx.5kgs per m², Approx.6.2kgs per m² for "Curving" type.

Comparing the strength, Type 22 is higher than Type 11 and larger work dimension can be obtained as well.