

DOOR Manufacturable Range

Window effective aperture (W)	Window height (H)	Opening range W1·W2	Opening range H
460	600	750 ≤ W ≤ 1200	1900 ≤ H ≤ 2300
460	640 - (1900 - H)	750 ≤ W ≤ 1200	1800 ≤ H < 1900
No window		300 ≤ W1·W2 < 750	1800 ≤ H < 1900

☆ (i) dimension is 1800 ≤ H < 2000 case: door under ~ 1100,
2000 ≤ H ≤ 2300 case: door under ~ 1200.

※The minimum dimension of W1 = 600 and W2 = 300.

※The minimum dimension of leaf door (DW1) = 609 and
half door (DW2) = 309

※The maximum of dimension is W2400xH2300 and
the minimum of dimension is W900xH1800

※The half door has no window.

With Window, Louver

Sign	Quantity	Mounting location		
	-	~		
Type	Light steel door (A leaf and a half door with Window, Louver) LSD Flag hinge (Left) One-way			
Door	Surface material	Colored Steel Plate	Color: Ivory t=0.6mm	
	Core of the door	Paper Core	-	
	Window frame	Aluminium	Silver The internal dimension: 460x600	
	Window Material	-	-	
Louvers	Aluminium	Silver Usable dimension:		
Frame	Material	Steel	1.6t Rust Paint depth width of frame: -	
Door Sill	Material	SUS304	1.5t HL	
Manufacturer		Part number	Remarks	Quantity
Lever handle	MIWA	U9LA50-※ ST BS64	handle: 50 stainless steel HL	1
Door closer	RYOBI	S1002P	Wish stop Color: Silver	1
Flag hinge	-	anactment article	-	3
Flush bolt (up, down)	SHIBUTANI	DE-7Z	-	1
In response dropped (up)	SHIBUTANI	DB-67	-	1
In response dropped (down)	SHIBUTANI	DB-67	-	1
Frame with Toto rubber	-	anactment article	-	2
With floor Toto	-	anactment article	-	1

○	○	○	○	○	○	○	○	○	○
○	○	○	○	○	○	○	○	○	○
○	○	○	○	○	○	○	○	○	○
○	○	○	○	○	○	○	○	○	○

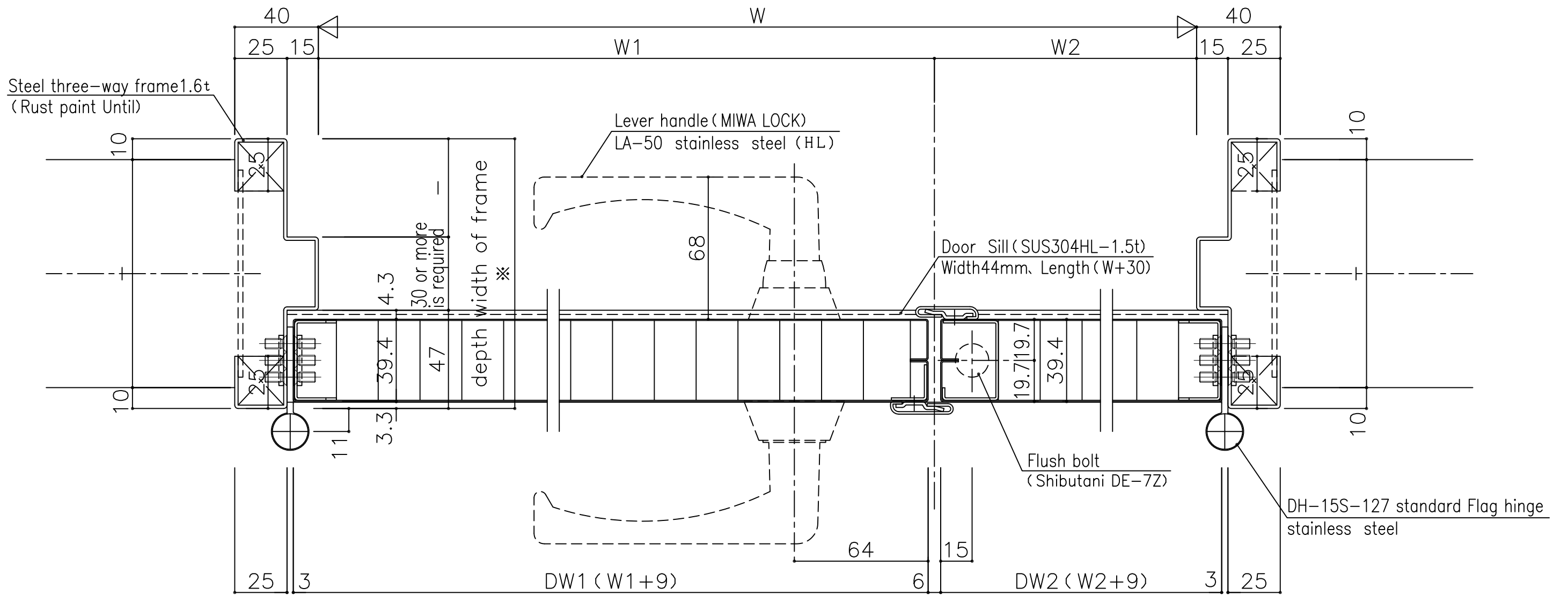
Receipt

Project Title

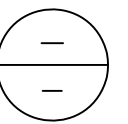
drawing name
Light steel door (A leaf and a half door with Window, Louver)
(Split frame)
LSD Flag hinge (Left)
《Installation view》



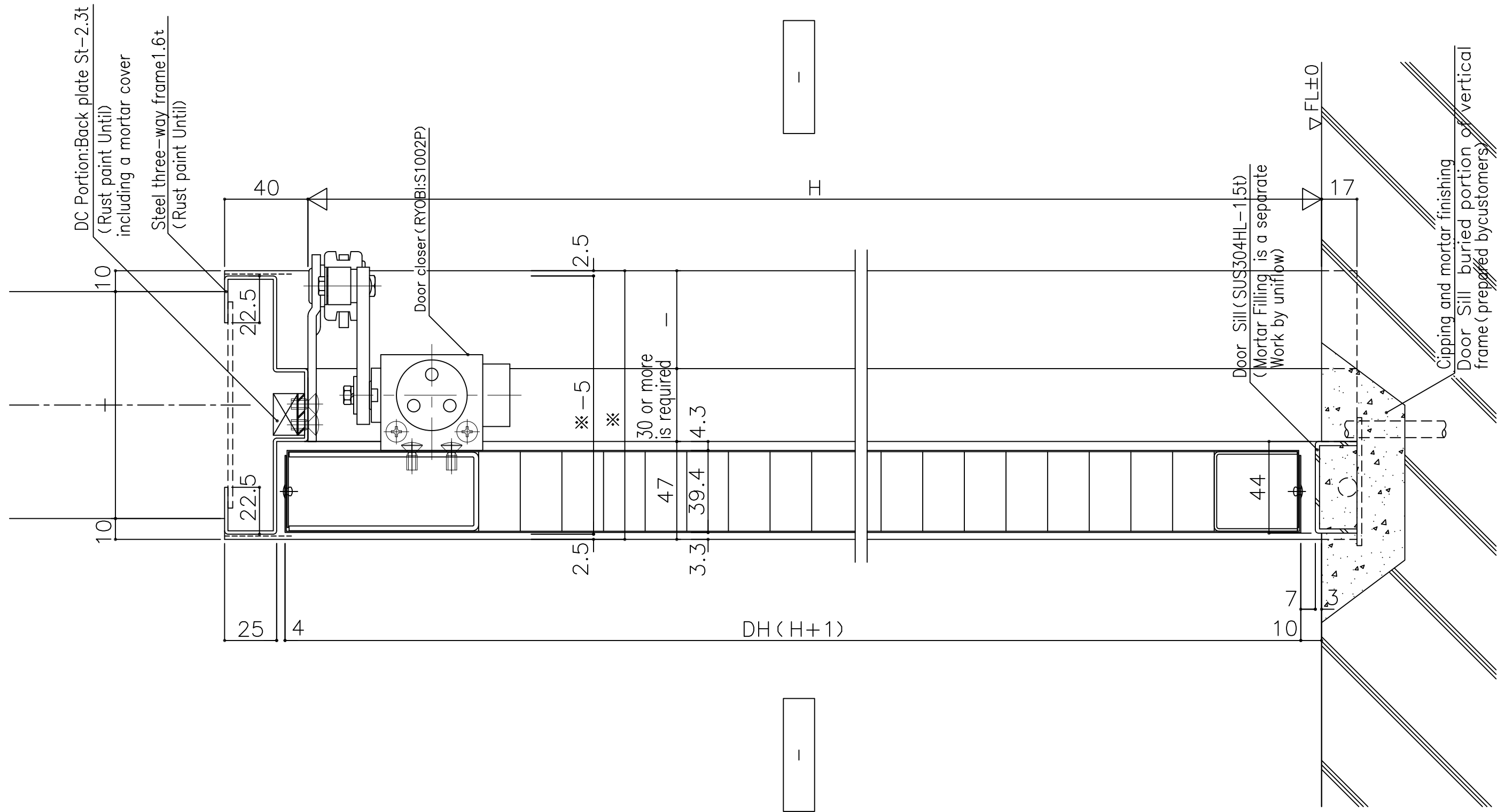
Checked by
Checked by
Drawn by
Scale 1/20
Reference No -
Page No 01
Date - - - -



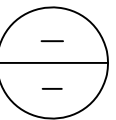
A-A' SECTION



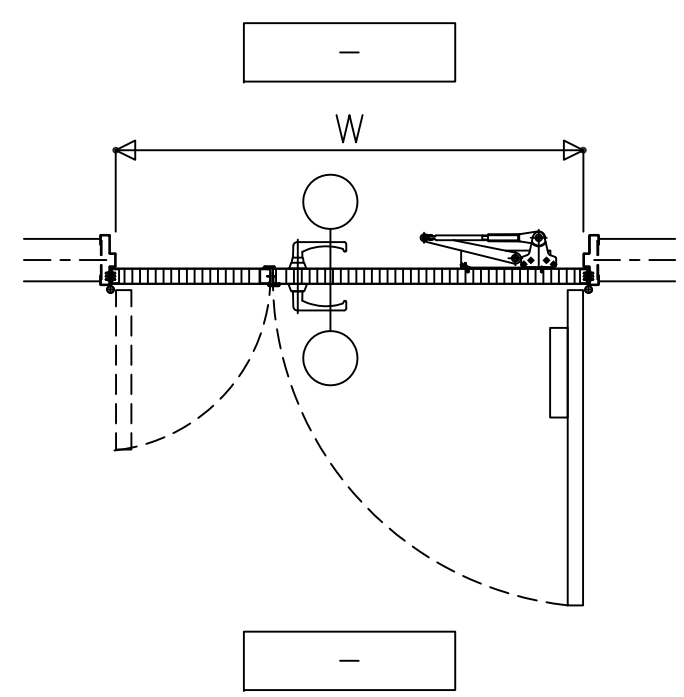
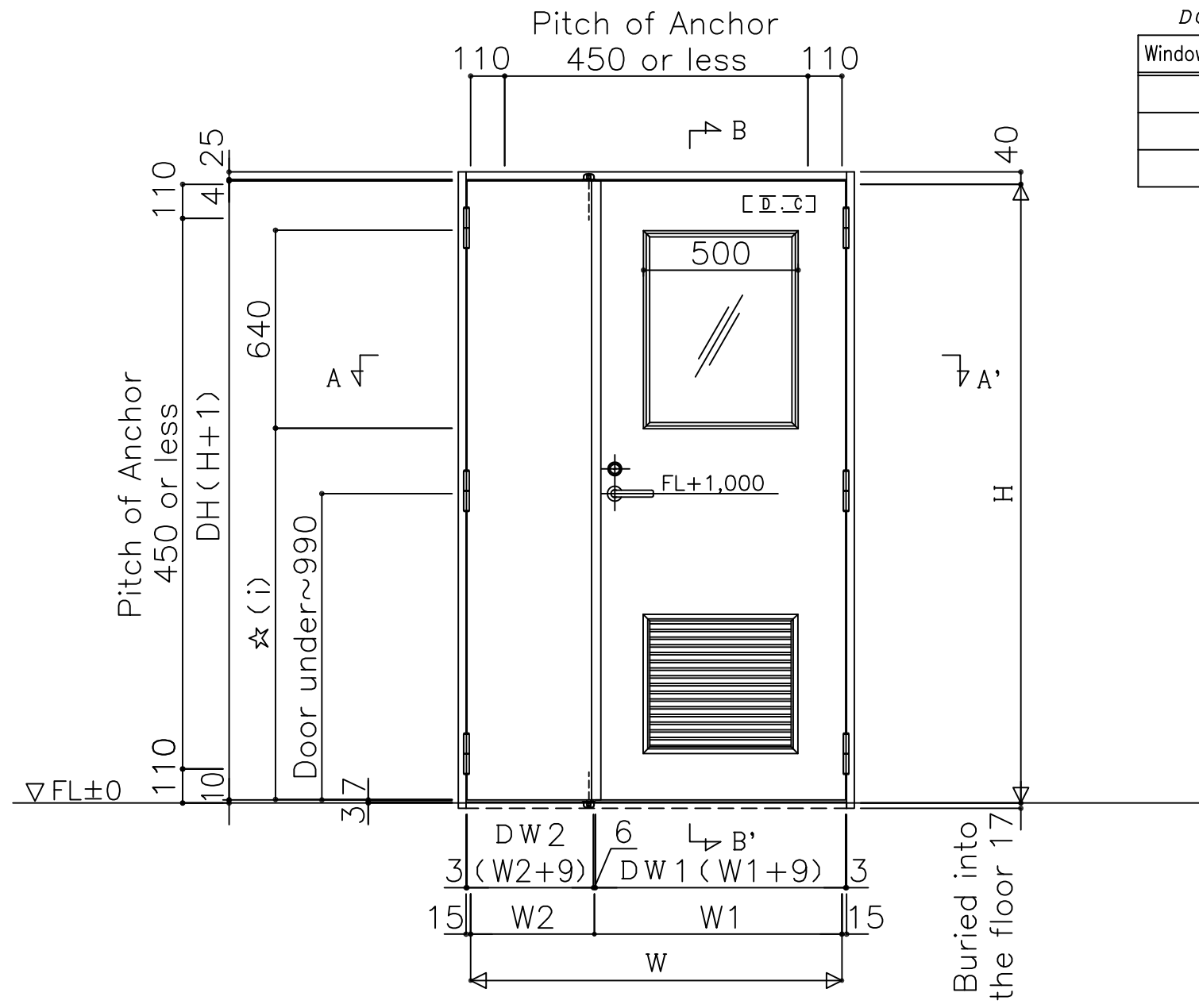
30-000000 .	Receipt	Project Title	drawing name	UNIFLOW	Checked by	Checked by	Drawn by	Scale	Reference No
			Light steel door (A leaf and a half door)					1/2	-
			(Split frame)					/	Page No
			LSD Flag hinge (Left)						02
			« Horizontal cross section »					Date	-



B-B' SECTION



30-000000 - - - - -	Receipt	Project Title	drawing name Light steel door (A leaf and a half door) (Split frame) LSD Flag hinge (Left) ◀ Vertical cross section ▶		Checked by	Checked by	Drawn by	Scale 1/2 /	Reference No
			-			-	-		Page No
									Date
									-



DOOR Manufacturable Range

Window effective aperture (W)	Window height (H)	Opening range W1·W2	Opening range H
460	600	750 ≤ W ≤ 1200	1900 ≤ H ≤ 2300
460	640- (1900-H)	750 ≤ W ≤ 1200	1800 ≤ H < 1900
No window		300 ≤ W1·W2 < 750	1800 ≤ H < 1900

- ☆ (i) dimension is 1800 ≤ H < 2000 case: door under ~ 1100, 2000 ≤ H ≤ 2300 case: door under ~ 1200.
- ※The minimum dimension of W1 = 600 and W2 = 300.
- ※The minimum dimension of leaf door (DW1) = 609 and half door (DW2) = 309
- ※The maximum of dimension is W2400xH2300 and the minimum of dimension is W900xH1800
- ※The half door has no window.

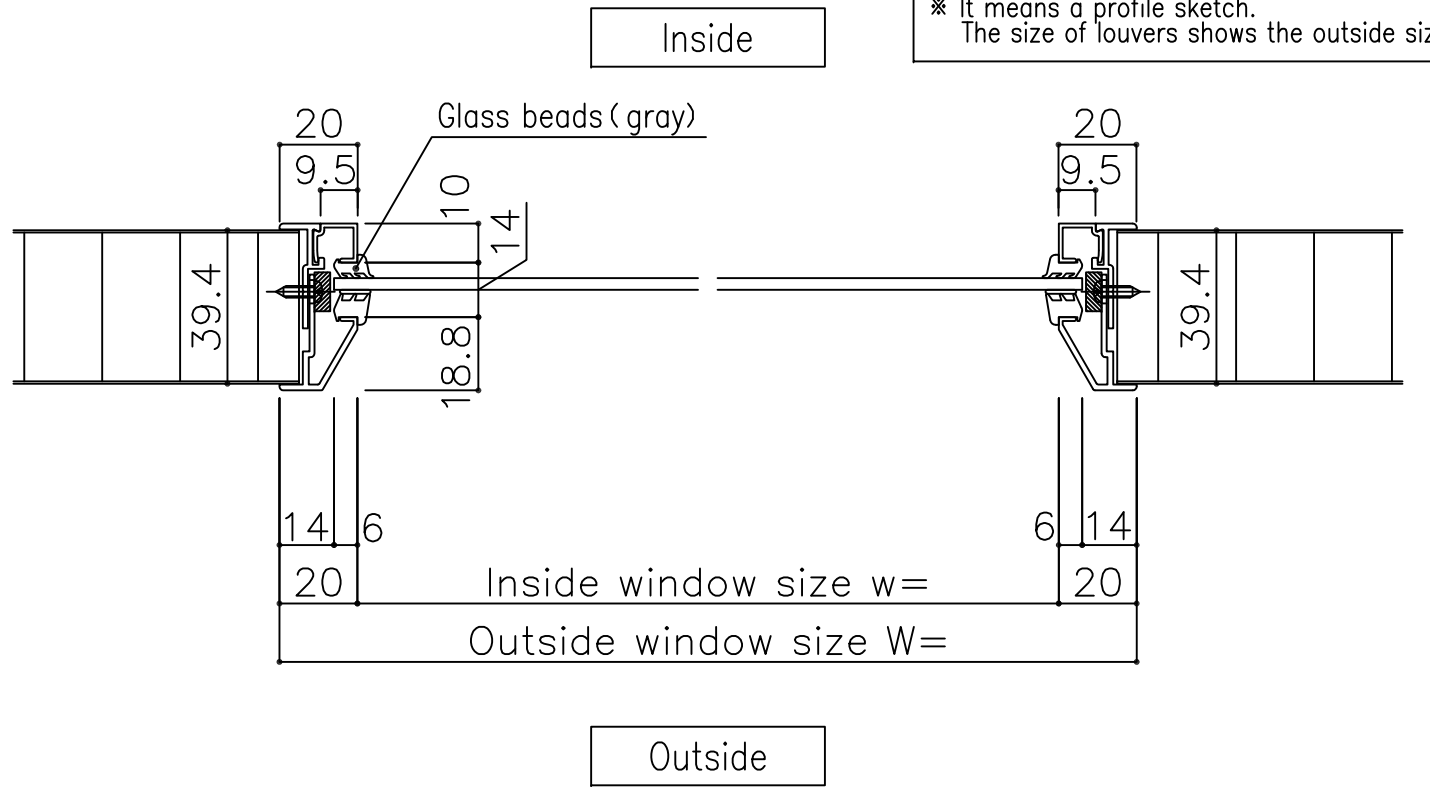
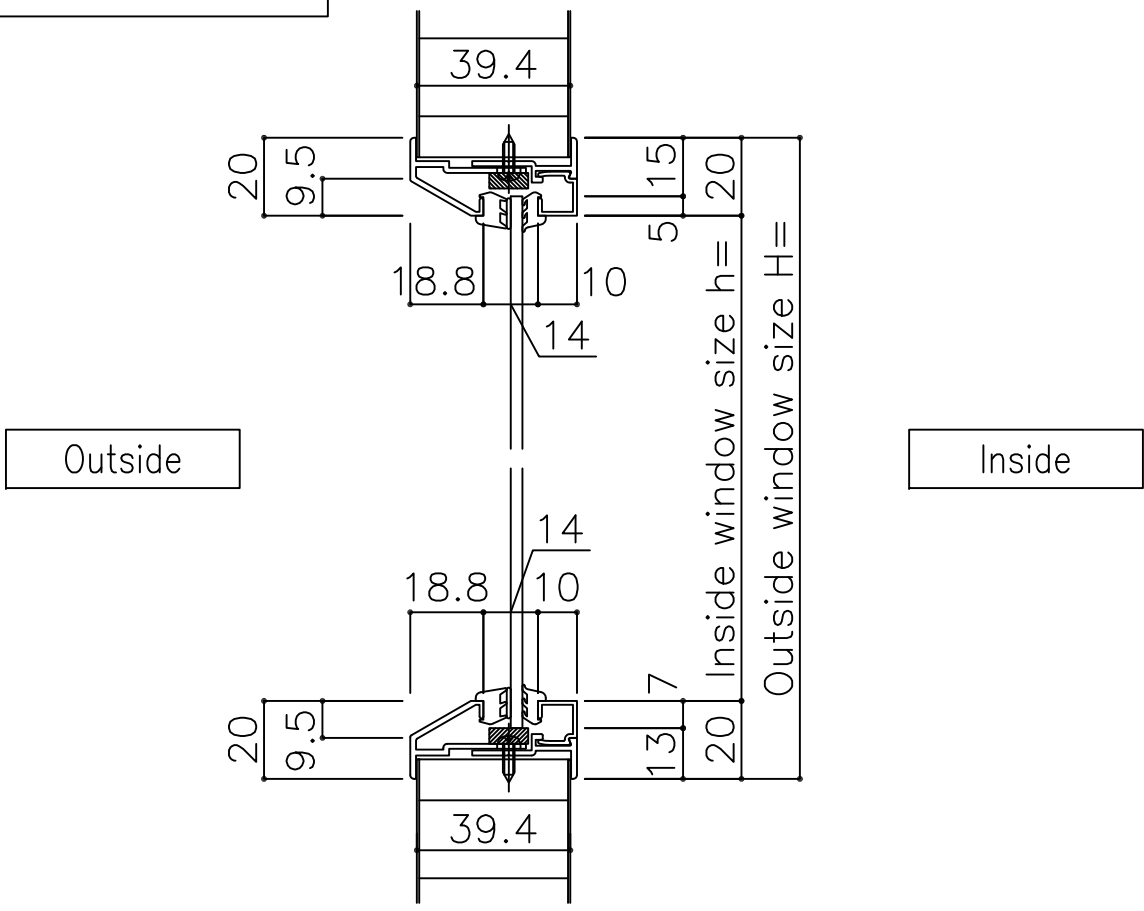
With Window, Louver

Sign	Quantity	Mounting location		
⊖	-	~		
Type	Light steel door (A leaf and a half door with Window, Louver) LSD Flag hinge (Right) One-way			
Door	Surface material	Colored Steel Plate	Color: Ivory t=0.6mm	
	Core of the door	Paper Core	-	
	Window frame	Aluminium	Silver The internal dimension: 460x600	
	Window Material	-	-	
Louvers	Aluminium	Silver Usable dimension:		
Frame	Material	Steel	1.6t Rust Paint depth width of frame: -	
Door Sill	Material	SUS304	1.5t HL	
Manufacturer		Part number	Remarks	Quantity
Lever handle	MIWA	U9LA50-※ ST BS64	handle: 50 stainless steel HL	1
Door closer	RYOBI	S1002P	Wish stop Color: Silver	1
Flag hinge	-	anactment article	-	3
Flush bolt (up, down)	SHIBUTANI	DE-7Z	-	1
In response dropped (up)	SHIBUTANI	DB-67	-	1
In response dropped (down)	SHIBUTANI	DB-67	-	1
Frame with Toto rubber	-	anactment article	-	2
With floor Toto	-	anactment article	-	1

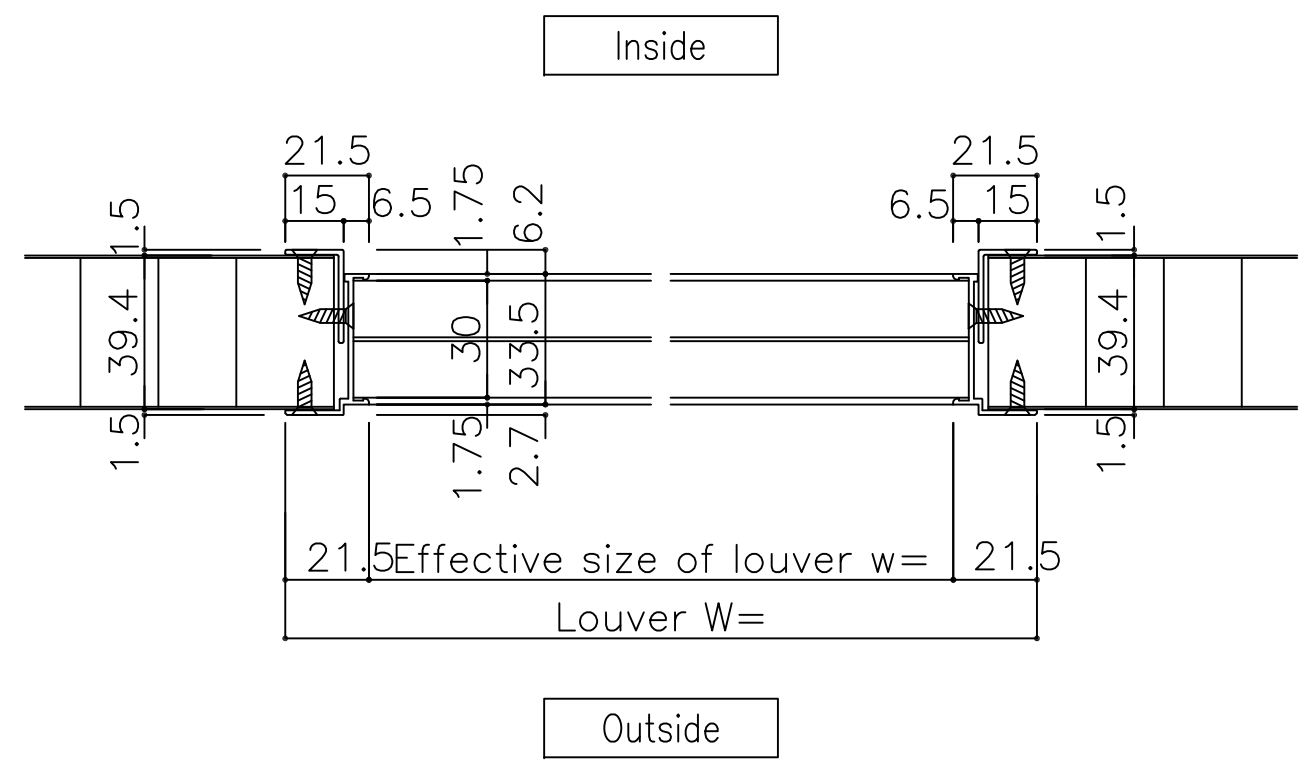
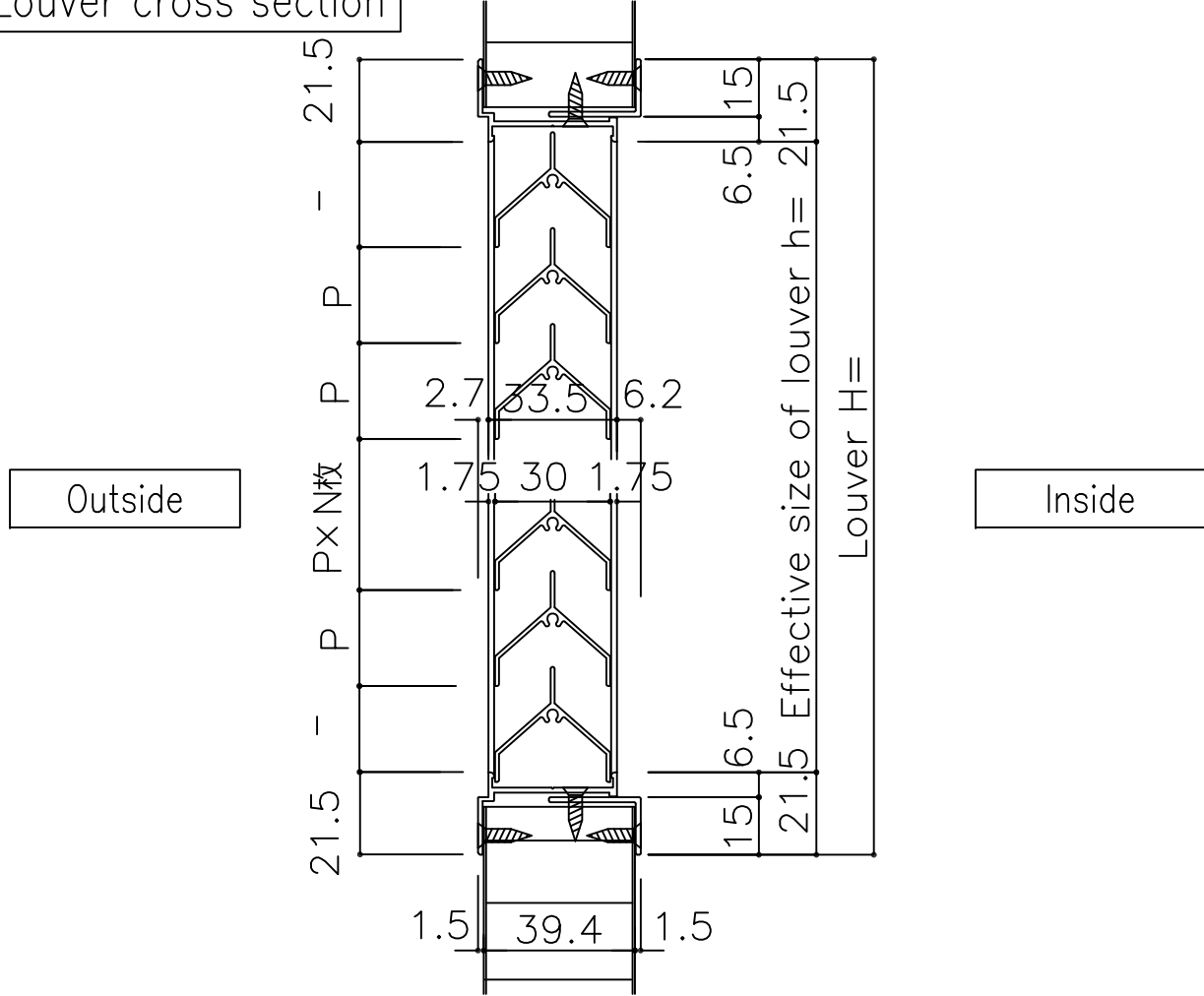


Detail Window cross section

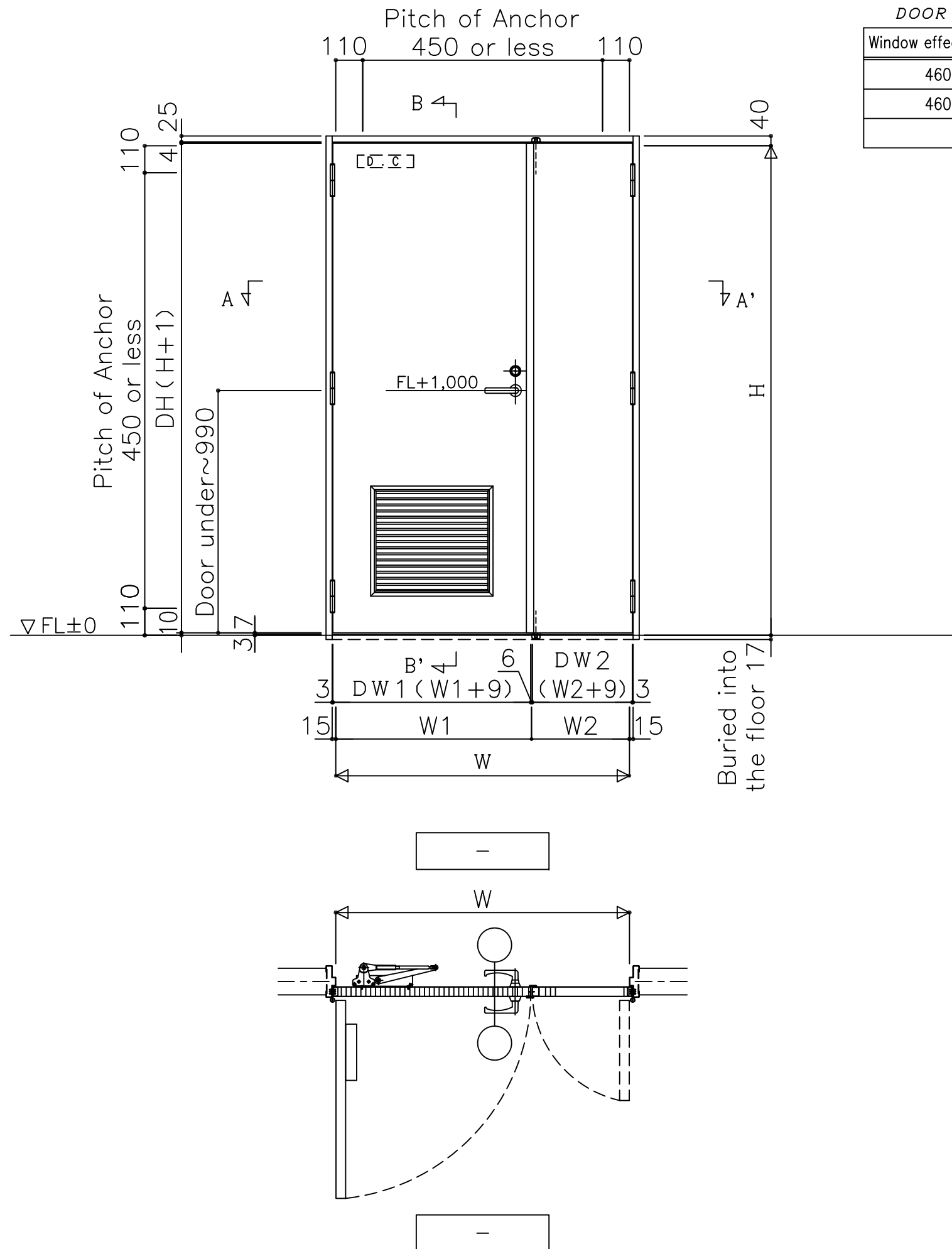
※ Uniflow will arrange the glass beads (glazing beads)
Compatible 3, 4, 5, and 6.8 mm in glass thickness.
※ It means a profile sketch.
The size of louvers shows the outside size.



Detail Louver cross section



	Receipt	Project Title	drawing name		Checked by	Checked by	Drawn by	Scale	Reference No
			LSD Window, Louver Detail					1/2	-
									Page No
									Date



DOOR Manufacturable Range

Window effective aperture (W)	Window height (H)	Opening range W1·W2	Opening range H
460	600	750 ≤ W ≤ 1200	1900 ≤ H ≤ 2300
460	640- (1900-H)	750 ≤ W ≤ 1200	1800 ≤ H < 1900
No window		300 ≤ W1·W2 < 750	1800 ≤ H < 1900

- ※The minimum dimension of W1 = 600 and W2 = 300.
- ※The minimum dimension of leaf door (DW1) = 609 and half door (DW2) = 309
- ※The maximum of dimension is W2400xH2300 and the minimum of dimension is W900xH1800
- ※The half door has no window.

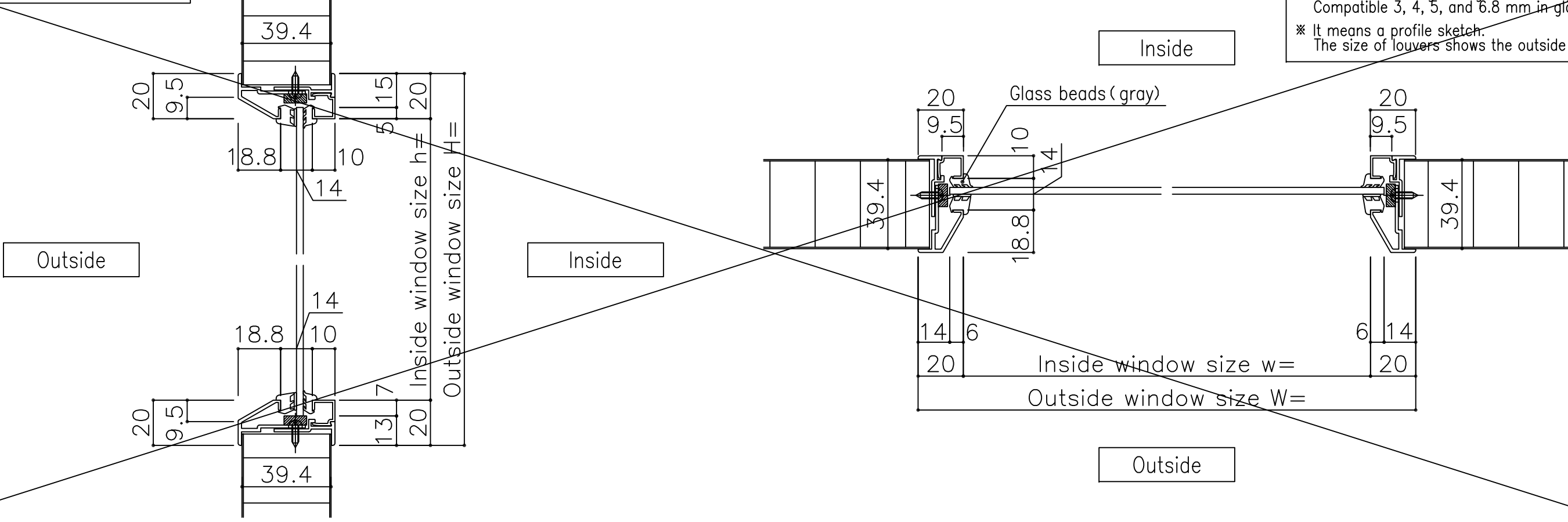
With Louver

Sign	Quantity	Mounting location		
⊖	-	~		
Type	Light steel door (A leaf and a half door with Louver) LSD Flag hinge (Left) One-way			
Door	Surface material	Colored Steel Plate	Color: Ivory t=0.6mm	
	Core of the door	Paper Core	-	
	Window frame	-	- The internal dimension:	
	Window Material	-	-	
Louvers	Aluminium	Silver	Usable dimension:	
Frame	Material	Steel	1.6t Rust Paint depth width of frame: -	
Door Sill	Material	SUS304	1.5t HL	
Manufacturer		Part number	Remarks	Quantity
Lever handle	MIWA	U9LA50-※ ST BS64	handle: 50 stainless steel HL	1
Door closer	RYOBI	S1002P	Wish stop Color: Silver	1
Flag hinge	-	anactment article	-	3
Flush bolt (up, down)	SHIBUTANI	DE-7Z	-	1
In response dropped (up)	SHIBUTANI	DB-67	-	1
In response dropped (down)	SHIBUTANI	DB-67	-	1
Frame with Toto rubber	-	anactment article	-	2
With floor Toto	-	anactment article	-	1

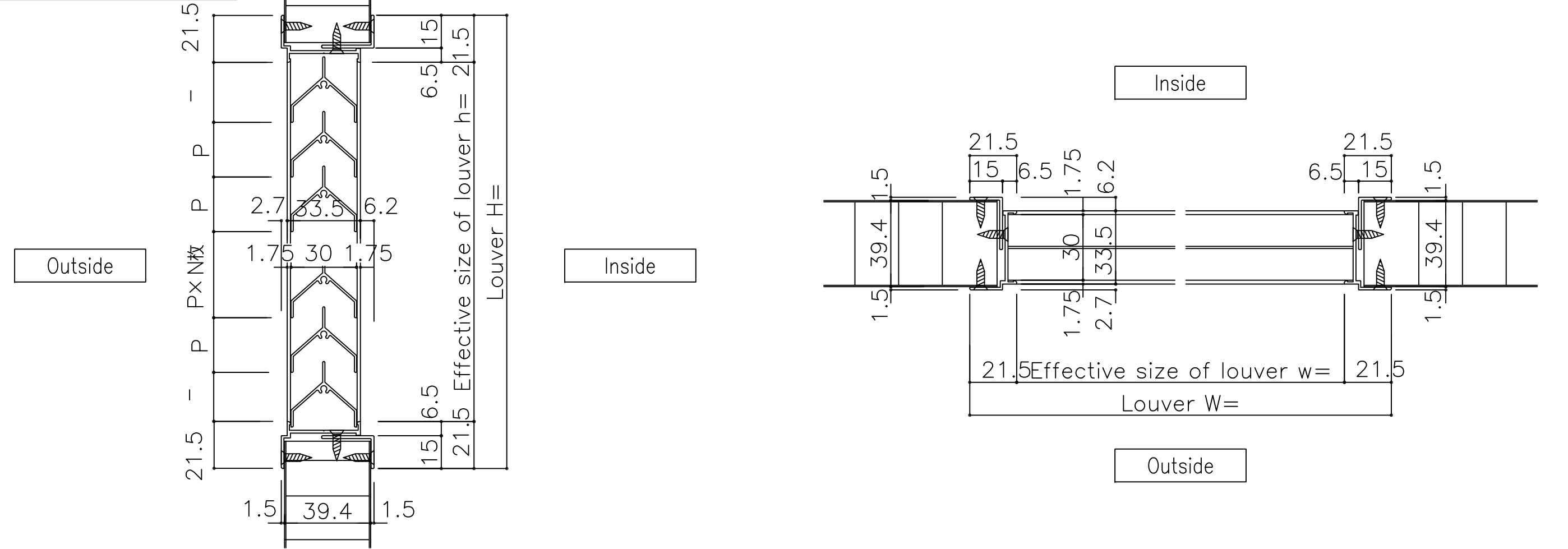


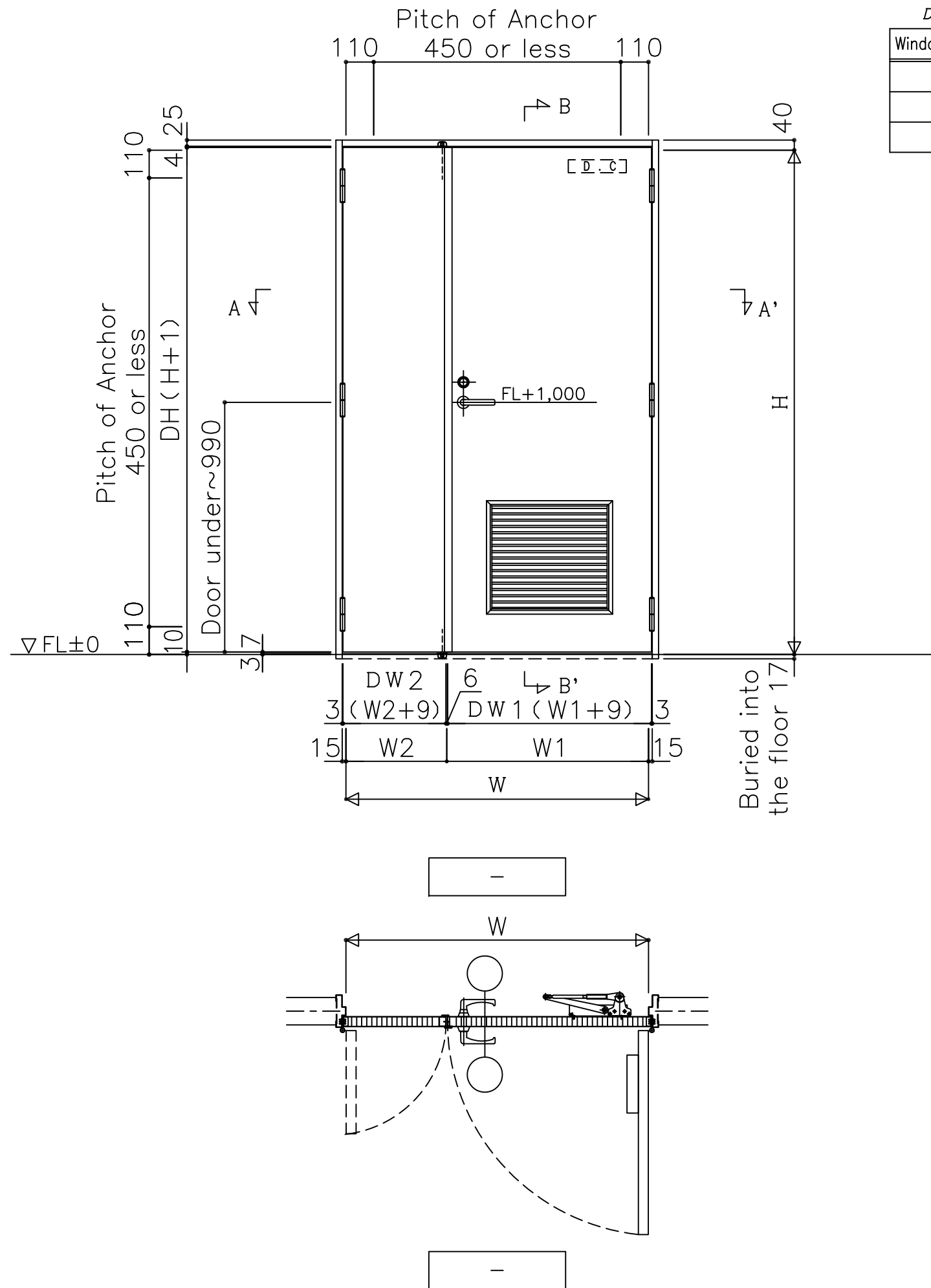
Detail Window cross section

※ Uniflow will arrange the glass beads (glazing beads)
Compatible 3, 4, 5, and 6.8 mm in glass thickness.
※ It means a profile sketch.
The size of louvers shows the outside size.



Detail Louver cross section





DOOR Manufacturable Range

Window effective aperture (W)	Window height (H)	Opening range W1・W2	Opening range H
460	600	750 ≤ W ≤ 1200	1900 ≤ H ≤ 2300
460	640- (1900-H)	750 ≤ W ≤ 1200	1800 ≤ H < 1900
No window		300 ≤ W1・W2 < 750	1800 ≤ H < 1900

- ※The minimum dimension of W1 = 600 and W2 = 300.
- ※The minimum dimension of leaf door (DW1) =609 and half door (DW2) =309
- ※The maximum of dimension is W2400xH2300 and the minimum of dimension is W900xH1800
- ※The half door has no window.

With Louver

Sign	Quantity	Mounting location		
⊖	-	~		
Type	Light steel door (A leaf and a half door with Louver) LSD Flag hinge (Right) One-way			
Door	Surface material	Colored Steel Plate	Color: Ivory t=0.6mm	
	Core of the door	Paper Core	-	
	Window frame	-	- The internal dimension:	
	Window Material	-	-	
Louvers	Aluminium	Silver	Usable dimension:	
Frame	Material	Steel	1.6t Rust Paint depth width of frame: -	
Door Sill	Material	SUS304	1.5t HL	
Manufacturer		Part number	Remarks	Quantity
Lever handle	MIWA	U9LA50-※ ST BS64	handle: 50 stainless steel HL	1
Door closer	RYOBI	S1002P	Wish stop Color: Silver	1
Flag hinge	-	anactment article	-	3
Flush bolt (up, down)	SHIBUTANI	DE-7Z	-	1
In response dropped (up)	SHIBUTANI	DB-67	-	1
In response dropped (down)	SHIBUTANI	DB-67	-	1
Frame with Toto rubber	-	anactment article	-	2
With floor Toto	-	anactment article	-	1

○	○	○	○	○	○	○	○	○	○
○	○	○	○	○	○	○	○	○	○
○	○	○	○	○	○	○	○	○	○
○	○	○	○	○	○	○	○	○	○
○	○	○	○	○	○	○	○	○	○

Receipt

Project Taitle

drawing name
Light steel door (A leaf and a half door with Louver)
(Split frame)
LSD Flag hinge (Right)
◀ Installation view ▶

Checked by

Checked by

Drawn by

Scale 1/20

Reference No -

Page No 01

Date - - - -



Checked by

Checked by

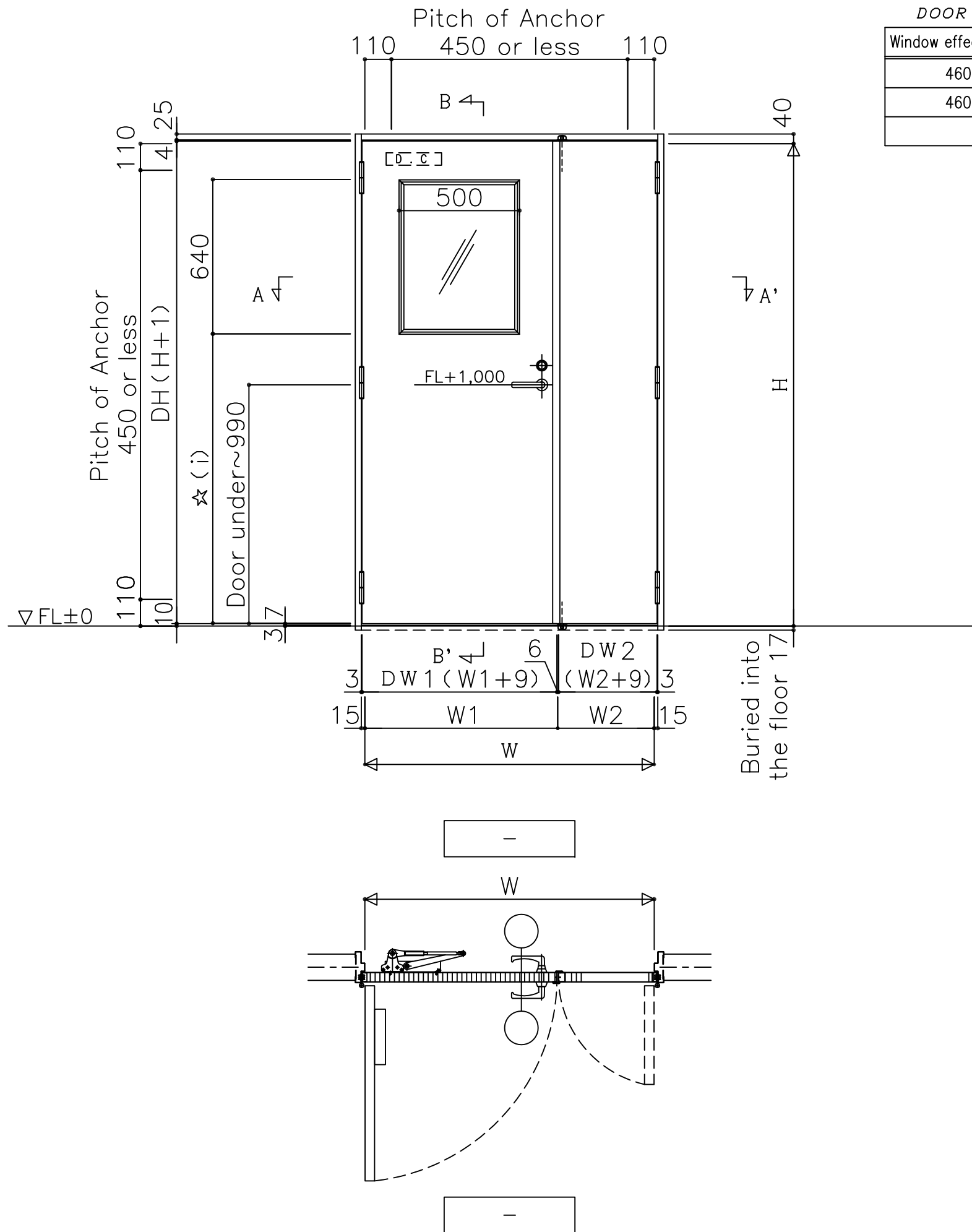
Drawn by

Scale 1/20

Reference No -

Page No 01

Date - - - -



DOOR Manufacturable Range

Window effective aperture (W)	Window height (H)	Opening range W1·W2	Opening range H
460	600	$750 \leq W \leq 1200$	$1900 \leq H \leq 2300$
460	$640 - (1900 - H)$	$750 \leq W \leq 1200$	$1800 \leq H < 1900$
No window		$300 \leq W1 \cdot W2 < 750$	$1800 \leq H < 1900$

☆ (i) dimension is 1800 ≤ H < 2000 case: door under ~ 1100,
2000 ≤ H ≤ 2300 case: door under ~ 1200.

- ※The minimum dimension of W1 = 600 and W2 = 300.
- ※The minimum dimension of leaf door (DW1) = 609 and half door (DW2) = 309
- ※The maximum of dimension is W2400xH2300 and the minimum of dimension is W900xH1800
- ※The half door has no window.

With Window

Sign	Quantity	Mounting location		
	-	~		
Type	Light steel door (A leaf and a half door with Window) LSD Flag hinge (Left) One-way			
Door	Surface material	Colored Steel Plate	Color: Ivory t=0.6mm	
	Core of the door	Paper Core	-	
	Window frame	Aluminium	Silver The internal dimension: 460x600	
	Window Material	-	-	
Louvers	-	Usable dimension: -		
Frame	Material	Steel	1.6t Rust Paint depth width of frame: -	
Door Sill	Material	SUS304	1.5t HL	
Manufacturer		Part number	Remarks	Quantity
Lever handle	MIWA	U9LA50-※ ST BS64	handle: 50 stainless steel HL	1
Door closer	RYOBI	S1002P	Wish stop Color: Silver	1
Flag hinge	-	anactment article	-	3
Flush bolt (up, down)	SHIBUTANI	DE-7Z	-	1
In response dropped (up)	SHIBUTANI	DB-67	-	1
In response dropped (down)	SHIBUTANI	DB-67	-	1
Frame with Toto rubber	-	anactment article	-	2
With floor Toto	-	anactment article	-	1

○	○	○	○	○	○	○	○	○	○
○	○	○	○	○	○	○	○	○	○
○	○	○	○	○	○	○	○	○	○
○	○	○	○	○	○	○	○	○	○

Receipt
Project Title

drawing name
Light steel door (A leaf and a half door with Window)
(Split frame)
LSD Flag hinge (Left)
《Installation view》

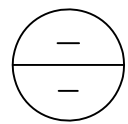
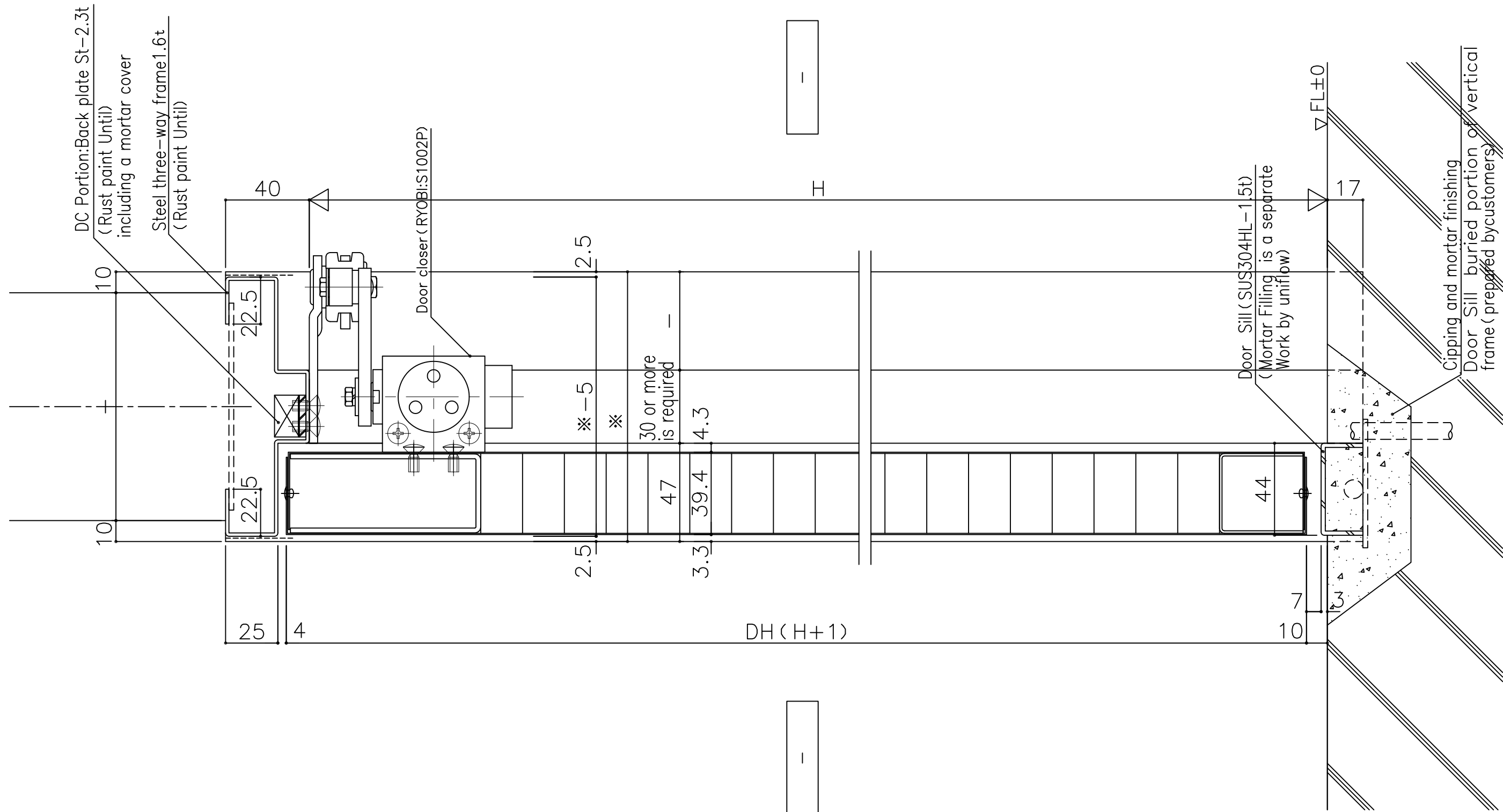
Checked by
Checked by
Drawn by
Scale
Reference No



Checked by
Checked by
Drawn by
Scale
Reference No

Page No 01
Date

B-B' SECTION

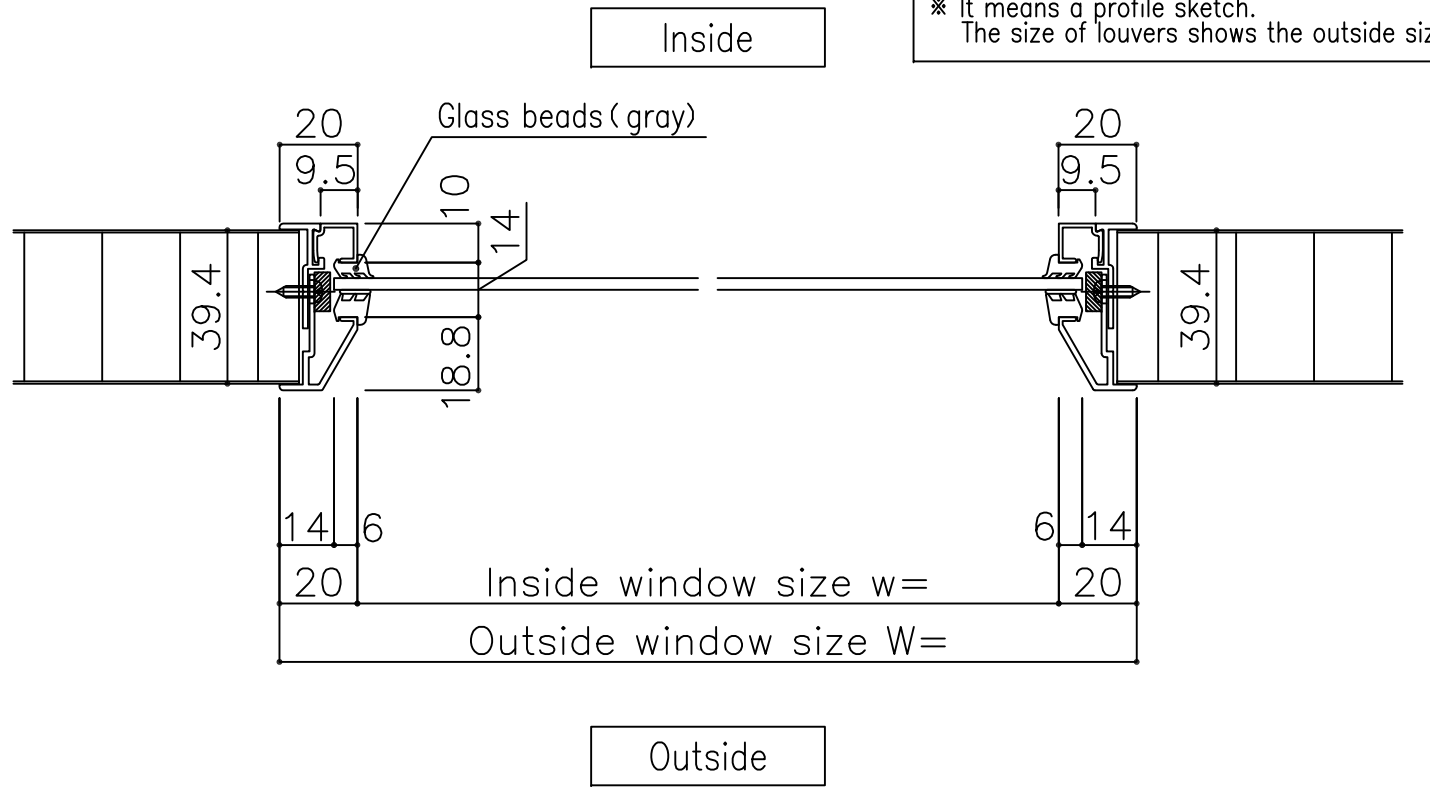
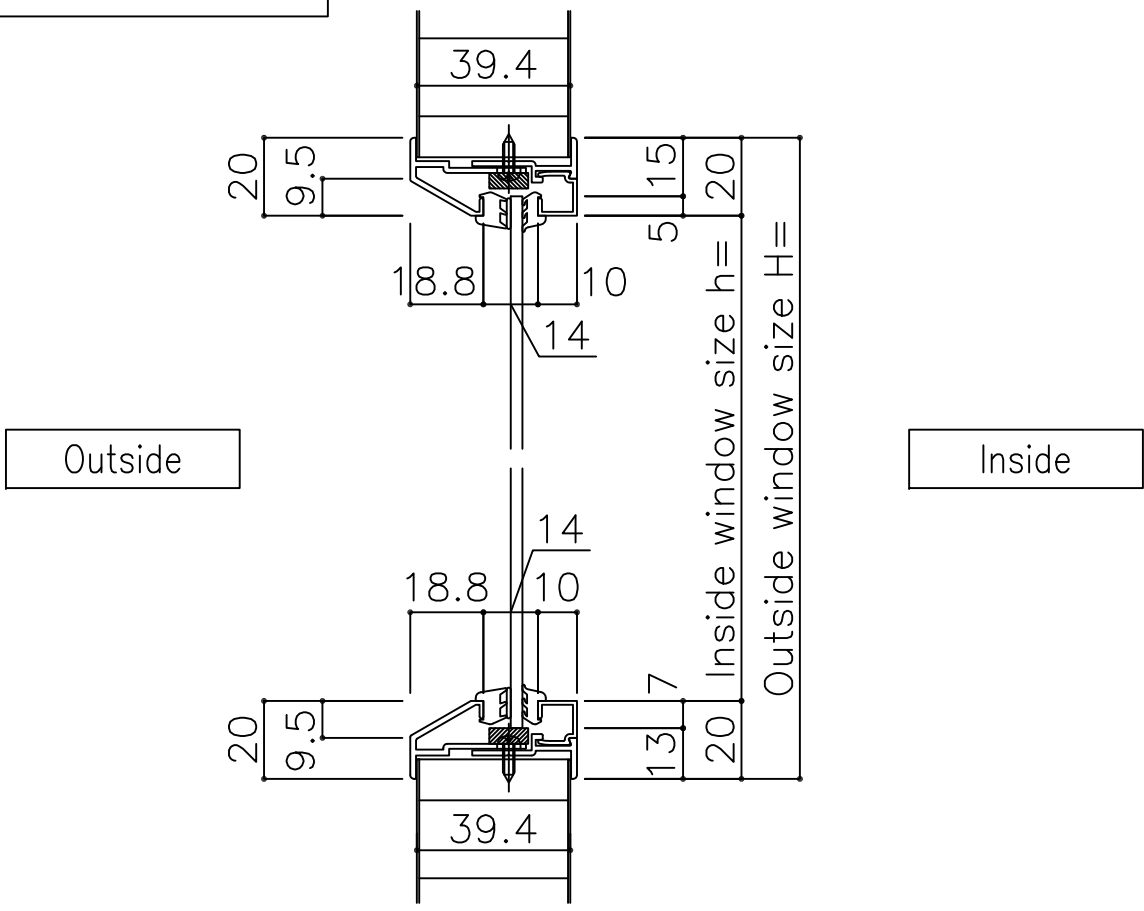


	Checked by	Checked by	Drawn by	Scale	Reference No
		-	-	1/2	-
				/	Page No
					03
					Date
					- . - . -

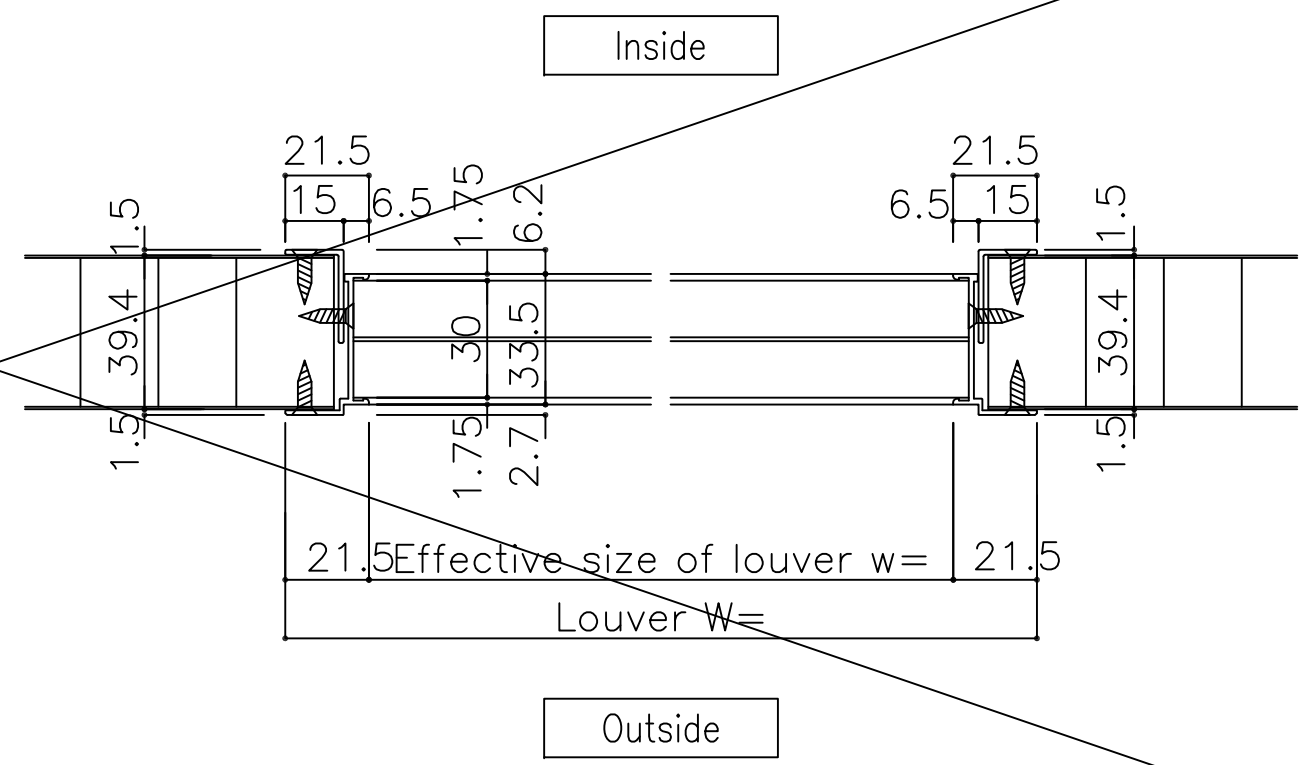
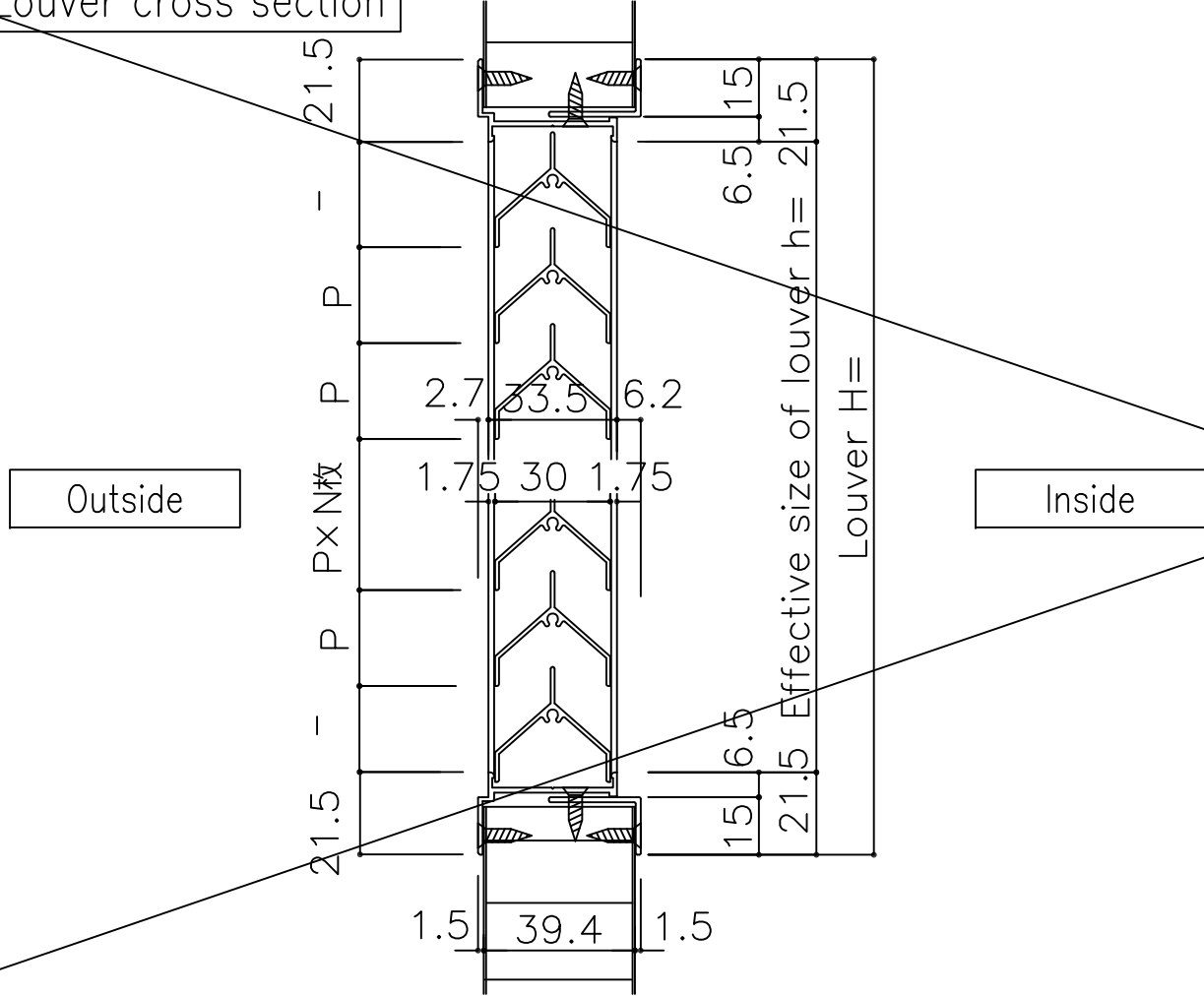
Receipt	
Project Title	-
drawing name	Light steel door (A leaf and a half door) (Split frame) LSD Flag hinge (Left) <Vertical cross section>

Detail Window cross section

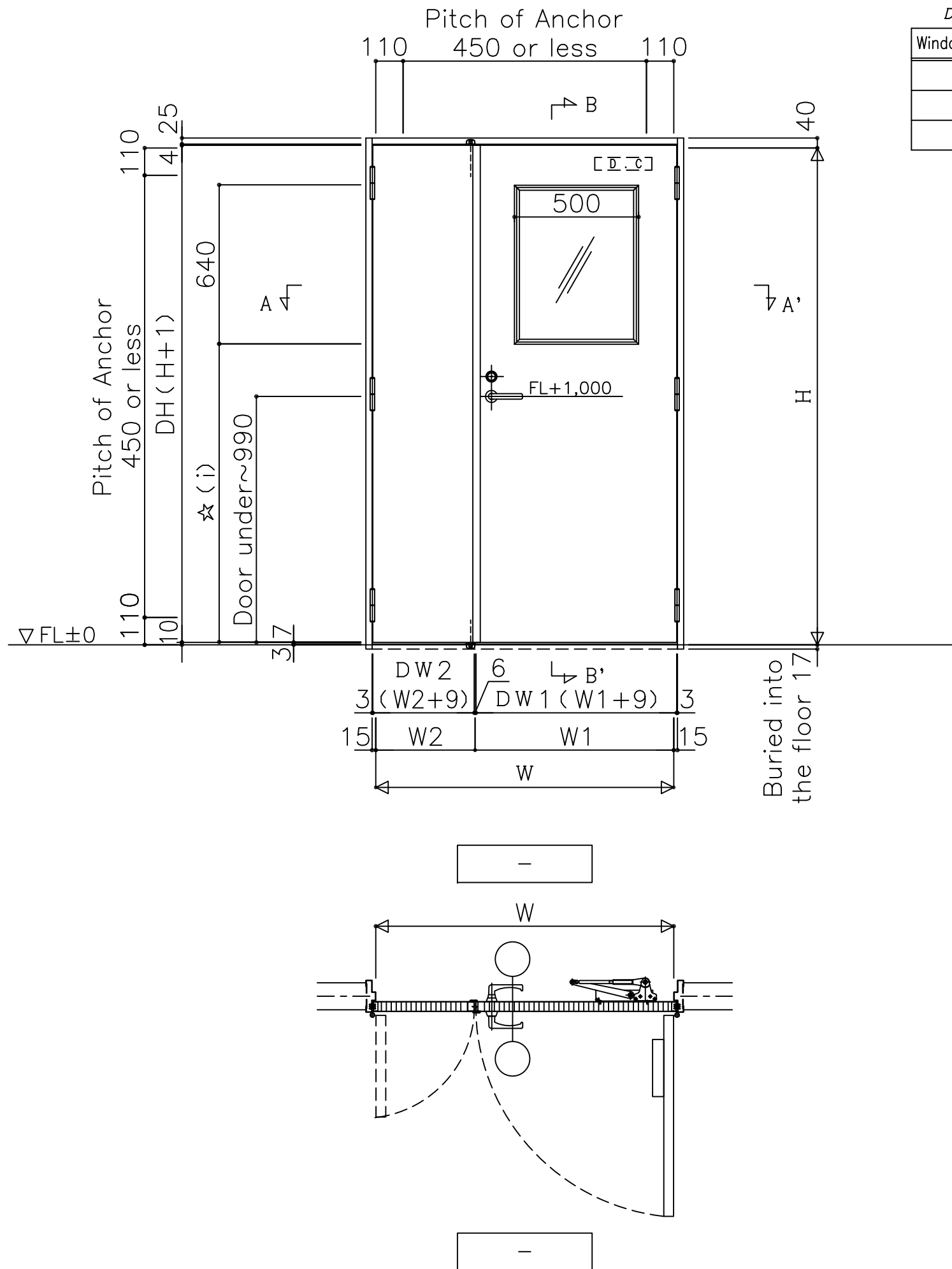
※ Uniflow will arrange the glass beads (glazing beads)
Compatible 3, 4, 5, and 6.8 mm in glass thickness.
※ It means a profile sketch.
The size of louvers shows the outside size.



Detail Louver cross section



	Receipt	Project Title	drawing name		Checked by	Checked by	Drawn by	Scale	Reference No
			LSD Window, Louver Detail					1/2	Detail-01
									Date



DOOR Manufacturable Range

Window effective aperture (W)	Window height (H)	Opening range W1·W2	Opening range H
460	600	750 ≤ W ≤ 1200	1900 ≤ H ≤ 2300
460	640 - (1900 - H)	750 ≤ W ≤ 1200	1800 ≤ H < 1900
No window		300 ≤ W1·W2 < 750	1800 ≤ H < 1900

☆ (i) dimension is 1800 ≤ H < 2000 case: door under ~ 1100,
2000 ≤ H ≤ 2300 case: door under ~ 1200.

※The minimum dimension of W1 = 600 and W2 = 300.

※The minimum dimension of leaf door (DW1) = 609 and
half door (DW2) = 309

※The maximum of dimension is W2400xH2300 and
the minimum of dimension is W900xH1800

※The half door has no window.

With Window

Sign	Quantity	Mounting location		
	-	~		
Type	Light steel door (A leaf and a half door with Window) LSD Flag hinge (Right) One-way			
Door	Surface material	Colored Steel Plate	Color: Ivory t=0.6mm	
	Core of the door	Paper Core	-	
	Window frame	Aluminium	Silver The internal dimension: 460x600	
	Window Material	-	-	
Louvers	-	Usable dimension:		
Frame	Material	Steel	1.6t Rust Paint depth width of frame: -	
Door Sill	Material	SUS304	1.5t HL	
Manufacturer		Part number	Remarks	Quantity
Lever handle	MIWA	U9LA50-※ ST BS64	handle: 50 stainless steel HL	1
Door closer	RYOBI	S1002P	Wish stop Color: Silver	1
Flag hinge	-	anactment article	-	3
Flush bolt (up, down)	SHIBUTANI	DE-7Z	-	1
In response dropped (up)	SHIBUTANI	DB-67	-	1
In response dropped (down)	SHIBUTANI	DB-67	-	1
Frame with Toto rubber	-	anactment article	-	2
With floor Toto	-	anactment article	-	1

○	○	○	○	○	○	○	○	○	○
○	○	○	○	○	○	○	○	○	○
○	○	○	○	○	○	○	○	○	○
○	○	○	○	○	○	○	○	○	○
○	○	○	○	○	○	○	○	○	○

Receipt

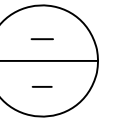
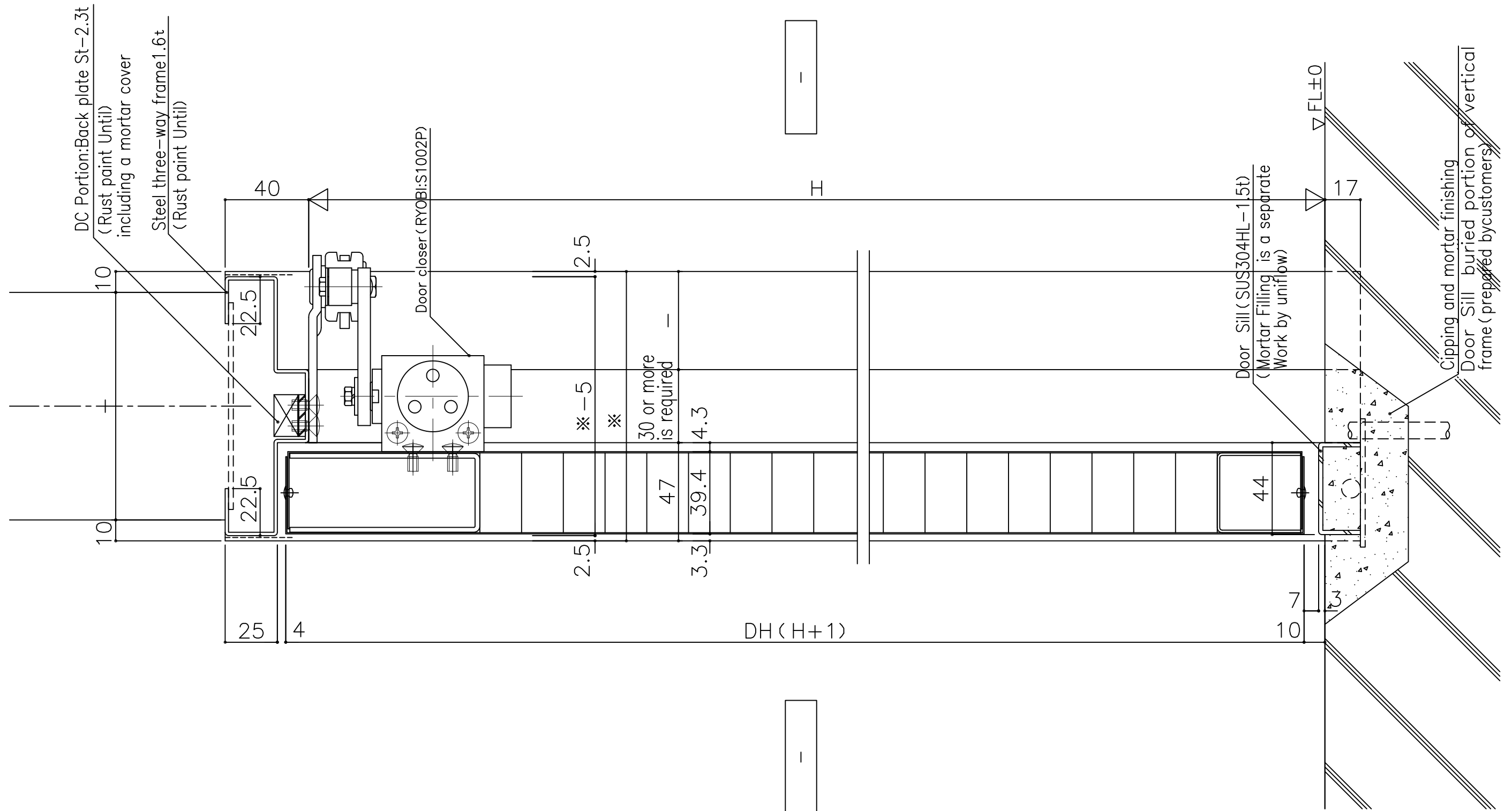
Project Title

drawing name
Light steel door (A leaf and a half door with Window)
(Split frame)
LSD Flag hinge (Right)
◀ Installation view ▶

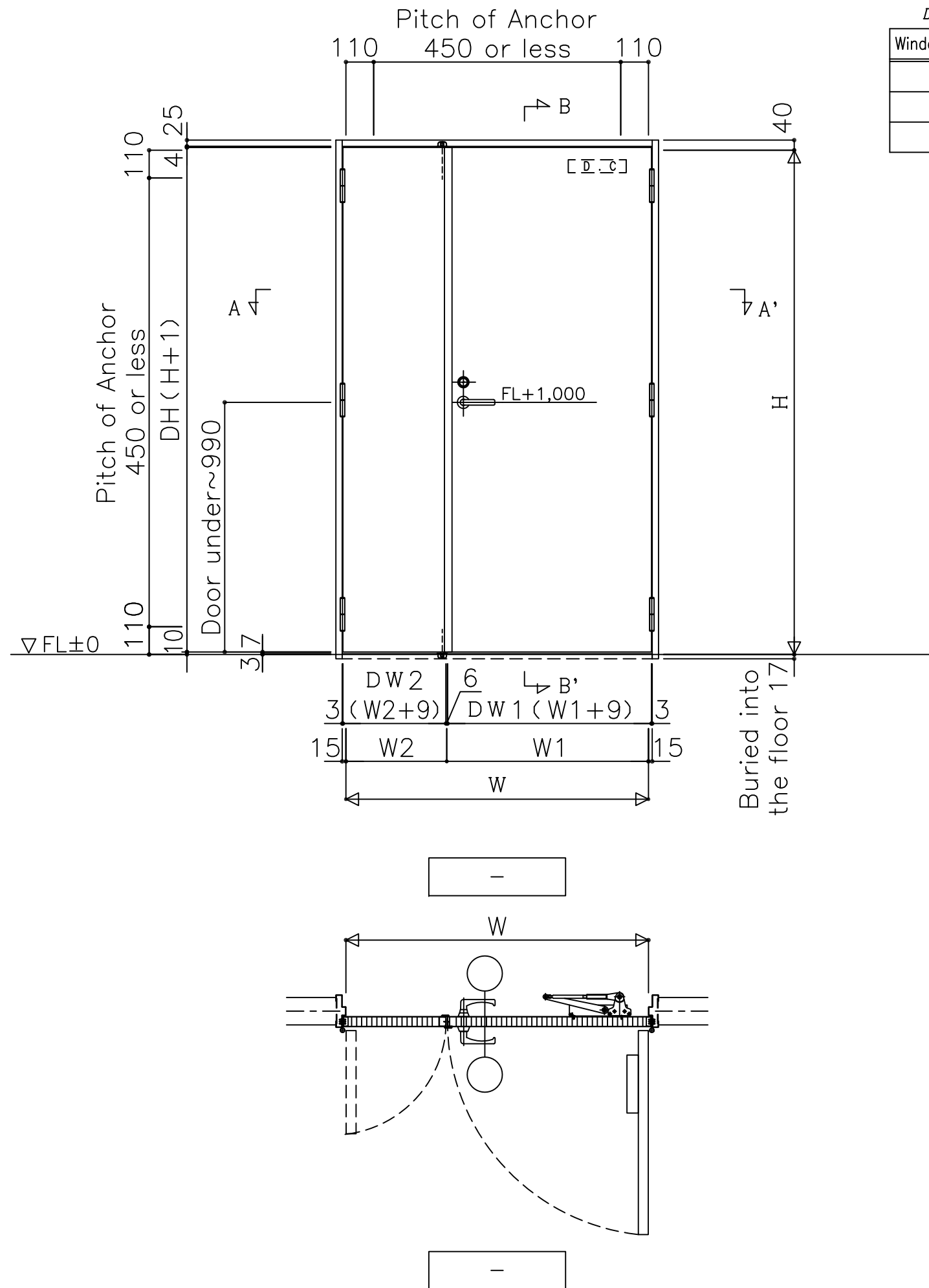


Checked by
Checked by
Drawn by
Scale 1/20
Reference No -
Page No 01
Date - - - -

B-B' SECTION



30-000000 - - - - - .	Receipt	Project Title	drawing name		Checked by	Checked by	Drawn by	Scale	Reference No
			Light steel door (A leaf and a half door) (Split frame)					1/2	-
			LSD Flag hinge (Right)					/	Page No 03
			《Vertical cross section》						Date - . - . -



DOOR Manufacturable Range

Window effective aperture (W)	Window height (H)	Opening range W1·W2	Opening range H
460	600	750 ≤ W ≤ 1200	1900 ≤ H ≤ 2300
460	640- (1900-H)	750 ≤ W ≤ 1200	1800 ≤ H < 1900
No window		300 ≤ W1·W2 < 750	1800 ≤ H < 1900

- ※The minimum dimension of W1 = 600 and W2 = 300.
- ※The minimum dimension of leaf door (DW1) = 609 and half door (DW2) = 309
- ※The maximum of dimension is W2400xH2300 and the minimum of dimension is W900xH1800
- ※The half door has no window.

Sign	Quantity	Mounting location		
⊖	-	~		
Type	Light steel door (A leaf and a half door) LSD Flag hinge (Right) One-way			
Door	Surface material	Colored Steel Plate	Color: Ivory t=0.6mm	
	Core of the door	Paper Core	-	
	Window frame	-	The internal dimension:	
	Window Material	-	-	
Louvers	-	Usable dimension:		
Frame	Material	Steel	1.6t Rust Paint depth width of frame: -	
Door Sill	Material	SUS304	1.5t HL	
Manufacturer		Part number	Remarks	Quantity
Lever handle	MIWA	U9LA50-※ ST BS64	handle: 50 stainless steel HL	1
Door closer	RYOBI	S1002P	Wish stop Color: Silver	1
Flag hinge	-	anactment article	-	3
Flush bolt (up, down)	SHIBUTANI	DE-7Z	-	1
In response dropped (up)	SHIBUTANI	DB-67	-	1
In response dropped (down)	SHIBUTANI	DB-67	-	1
Frame with Toto rubber	-	anactment article	-	2
With floor Toto	-	anactment article	-	1

○	○	○	○	○	○	○	○	○	○
○	○	○	○	○	○	○	○	○	○
○	○	○	○	○	○	○	○	○	○
○	○	○	○	○	○	○	○	○	○
○	○	○	○	○	○	○	○	○	○

Receipt

Project Taitle

drawing name
Light steel door (A leaf and a half door)
(Split frame)
LSD Flag hinge (Right)
◀ Installation view ▶



Checked by

Checked by

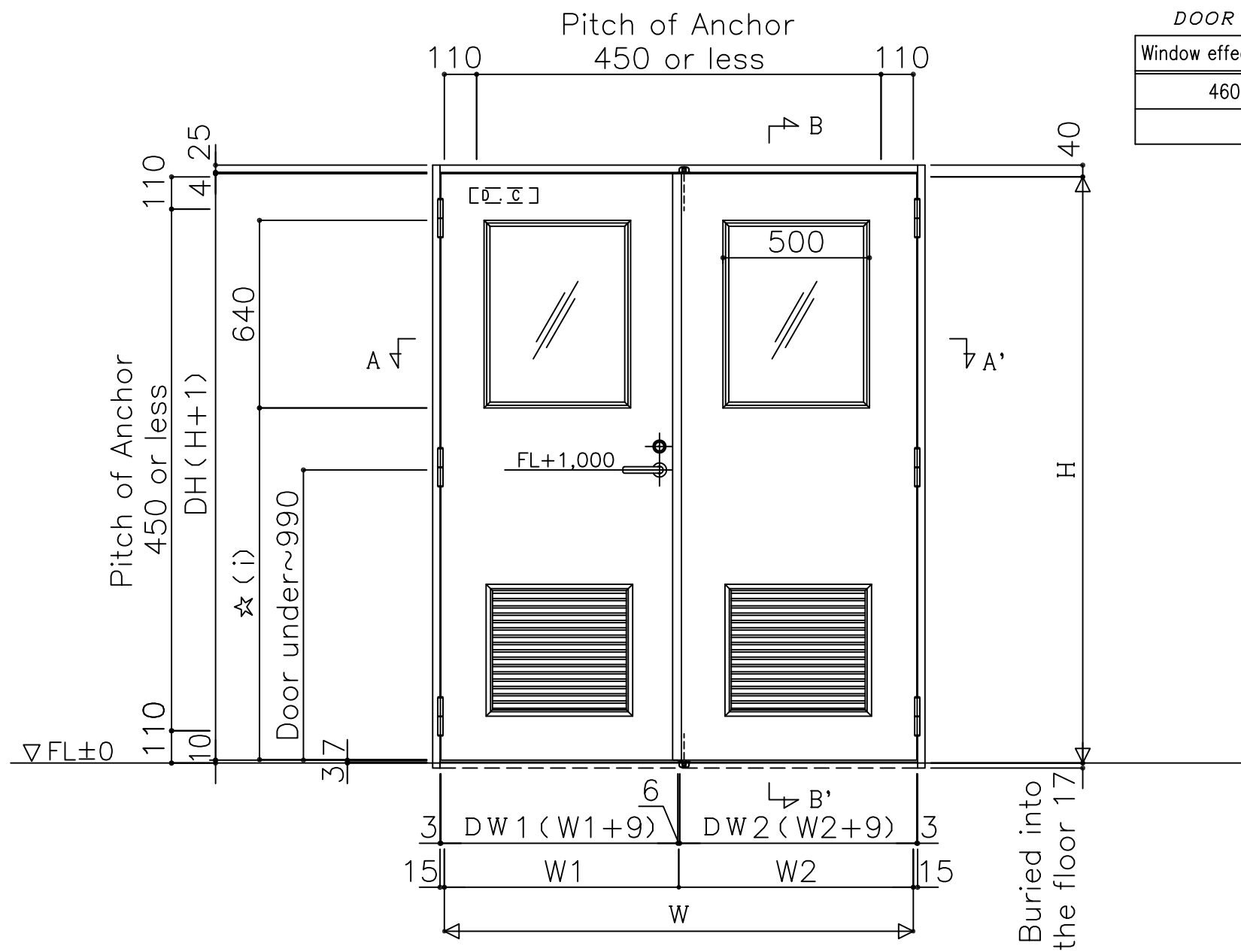
Drawn by

Scale 1/20

Reference No -

Page No 01

Date - - - -



DOOR Manufacturable Range

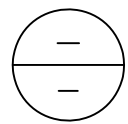
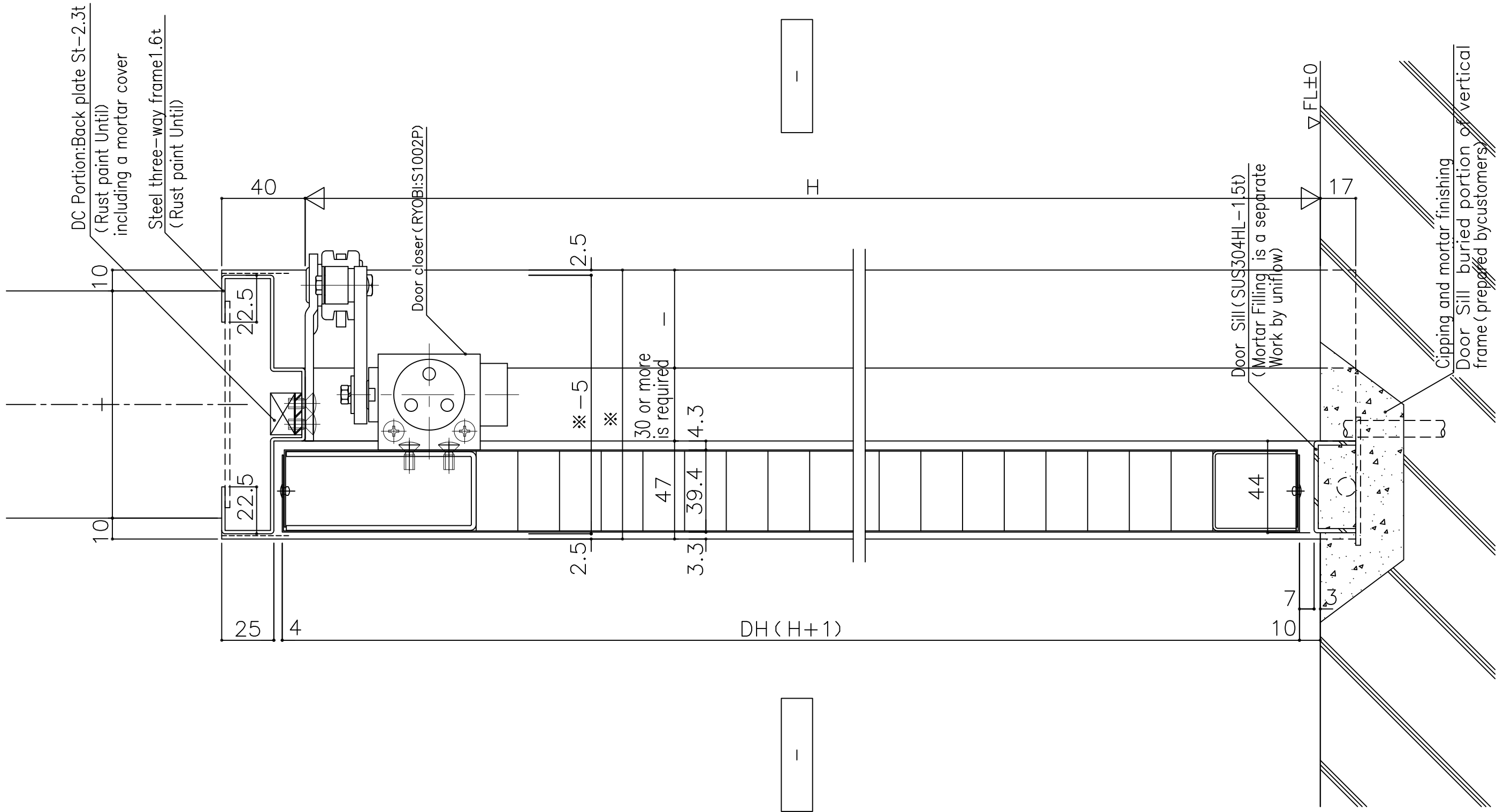
Window effective aperture (W)	Window height (H)	Opening range W	Opening range H
460	600	$1500 \leq W \leq 2400$	$1900 \leq H \leq 2300$
No window		$1200 \leq W < 1500$	$1800 \leq H < 1900$

☆ (i) dimension is 1800 ≤ H < 2000 case: door under ~ 1100, 2000 ≤ H ≤ 2300 case: door under ~ 1200.

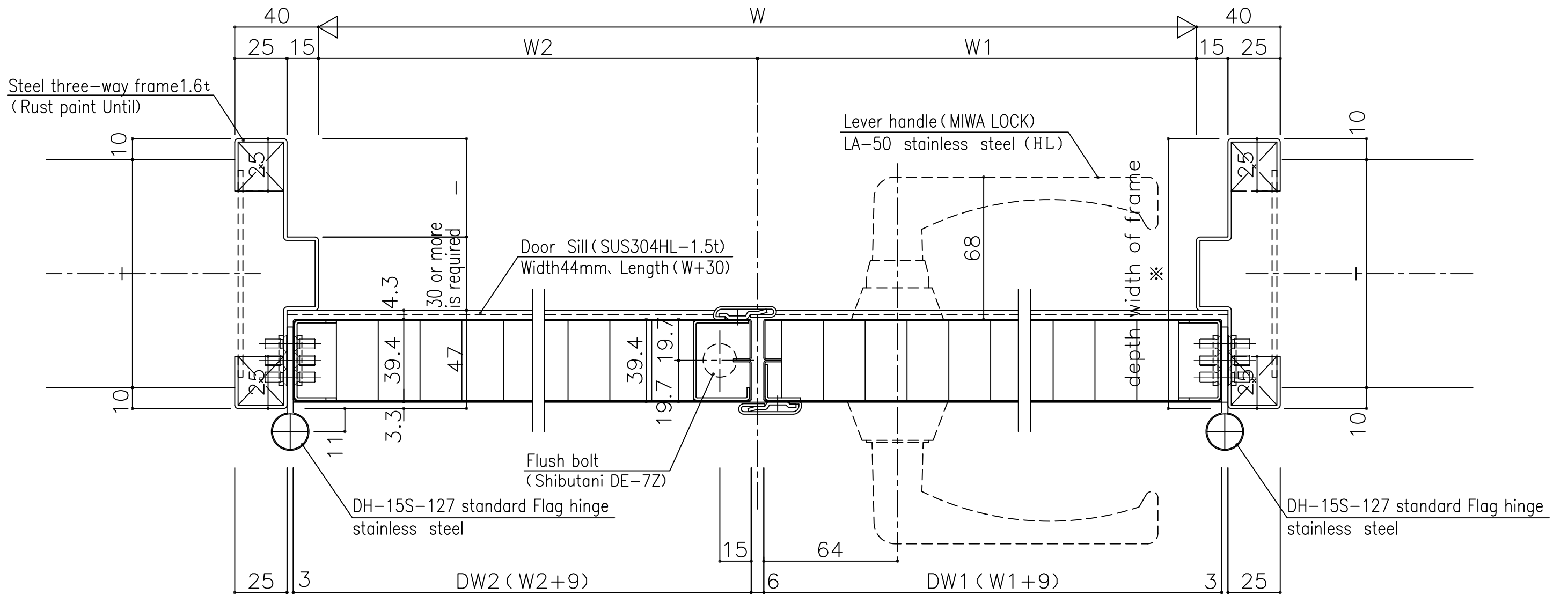
With Window, Louver

Sign	Quantity	Mounting location		
	-	~		
Type	Light steel door (Double door) LSD Flag hinge (Left) One-way			
Door	Surface material	Colored Steel Plate	Color: Ivory t=0.6mm	
	Core of the door	Paper Core	-	
	Window frame	Aluminium	Silver The internal dimension: 460x600	
	Window Material	-	-	
	Louvers	Aluminium	Silver Usable dimension:	
Frame	Material	Steel	1.6t Rust Paint depth width of frame: -	
Door Sill	Material	SUS304	1.5t HL	
Manufacturer		Part number	Remarks	Quantity
Lever handle	MIWA	U9LA50-※ ST BS64	handle: 50 stainless steel HL	1
Door closer	RYOBI	S1002P	Wish stop Color: Silver	1
Flag hinge	-	anactment article	-	3
Flush bolt (up, down)	SHIBUTANI	DE-7Z	-	1
In response dropped (up)	SHIBUTANI	DB-67	-	1
In response dropped (down)	SHIBUTANI	DB-67	-	1
Frame with Toto rubber	-	anactment article	-	2
With floor Toto	-	anactment article	-	1

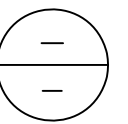
B-B' SECTION



30-001-00	- o - o - -	Receipt	Project Title	drawing name Light steel door (Double door) (Split frame) LSD Flag hinge (Left) ◀ Vertical cross section ▶	UNIFLOW	Checked by	Checked by	Drawn by	Scale 1/2	Reference No	-
	o o									Page No	03
	o o									Date	- o - o -
	o o										

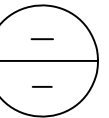
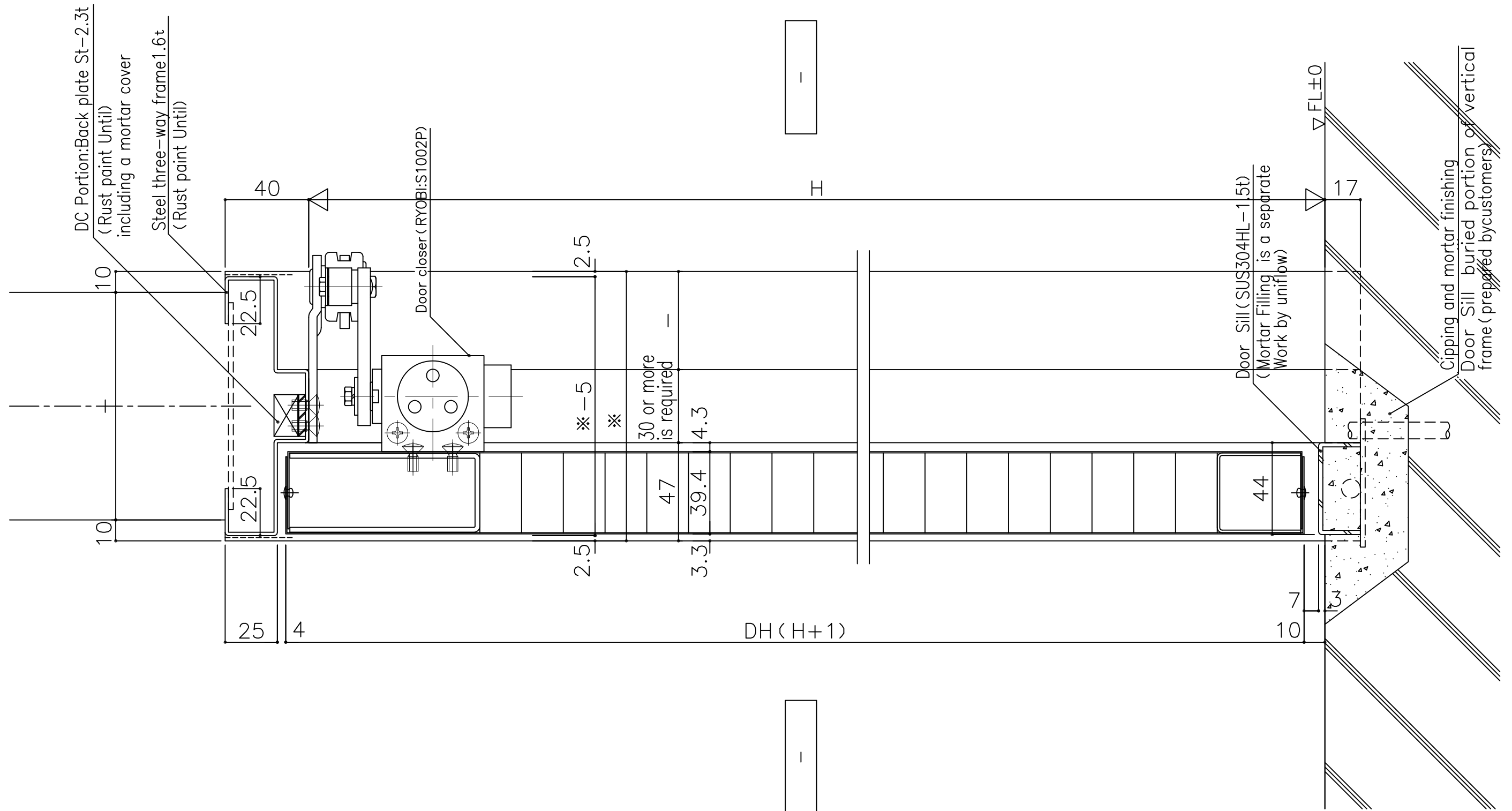


A-A' SECTION



30-000000 .	Receipt	Project Title	drawing name	UNIFLOW	Checked by	Checked by	Drawn by	Scale	Reference No
			Light steel door (Double door) (Split frame)					1/2	-
			LSD Flag hinge (Right)			-	-	/	Page No 02
			◀ Horizontal cross section ▶						Date - . - . -

B-B' SECTION



30-000000	-
00	00
00	00
00	00
00	00

Receipt

Project Title
-

drawing name
Light steel door (Double door)
(Split frame)
LSD Flag hinge (Right)
《Vertical cross section》



Checked by

Checked by
-

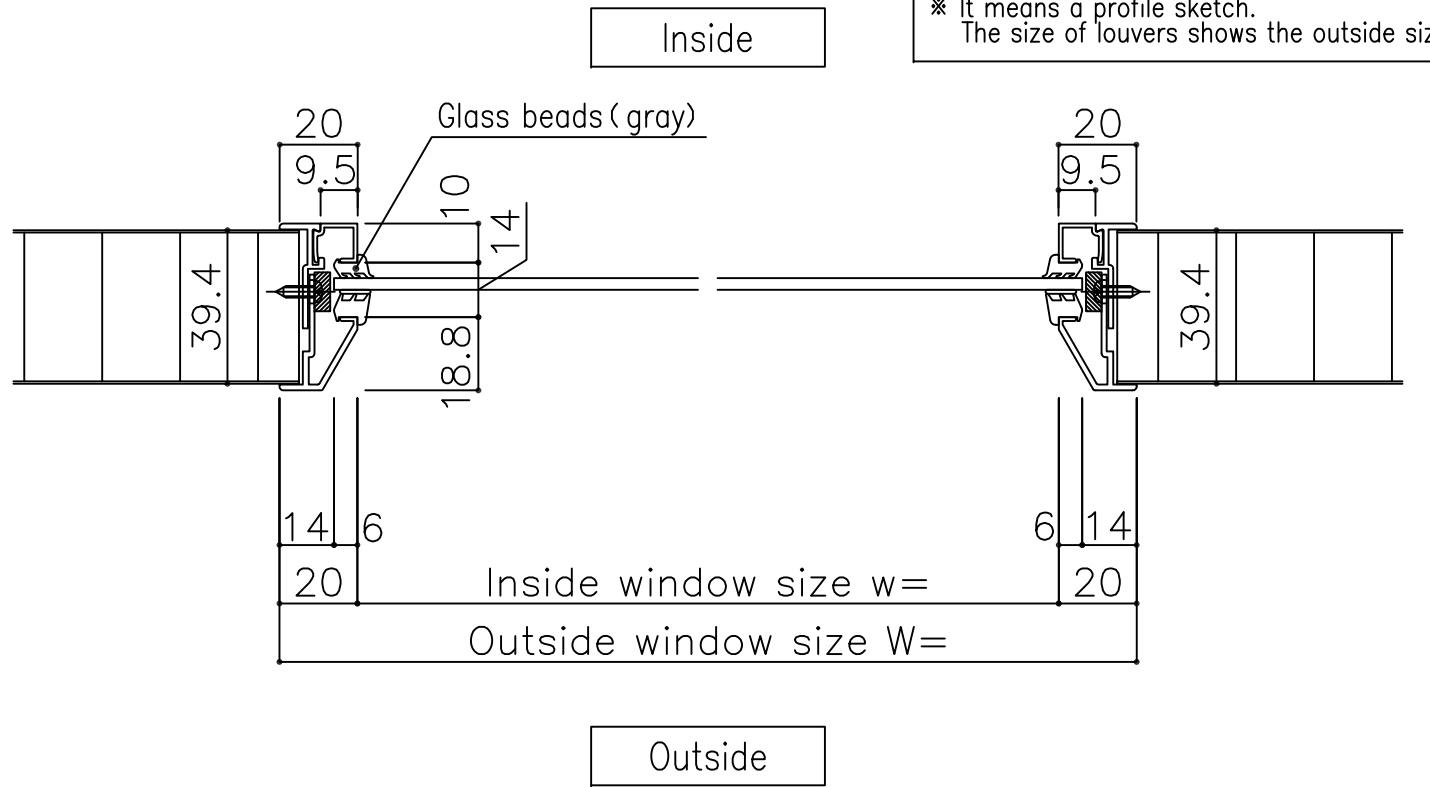
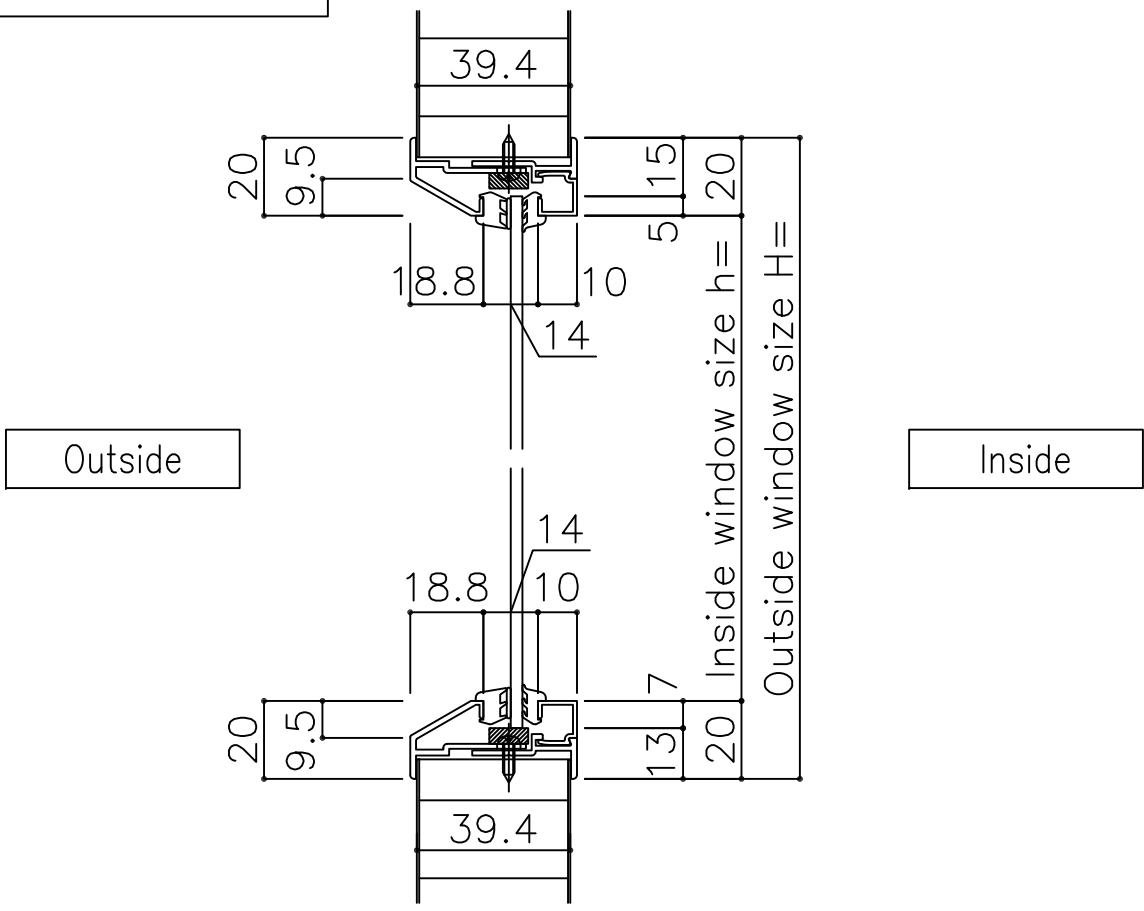
Drawn by
-

Scale
1/2

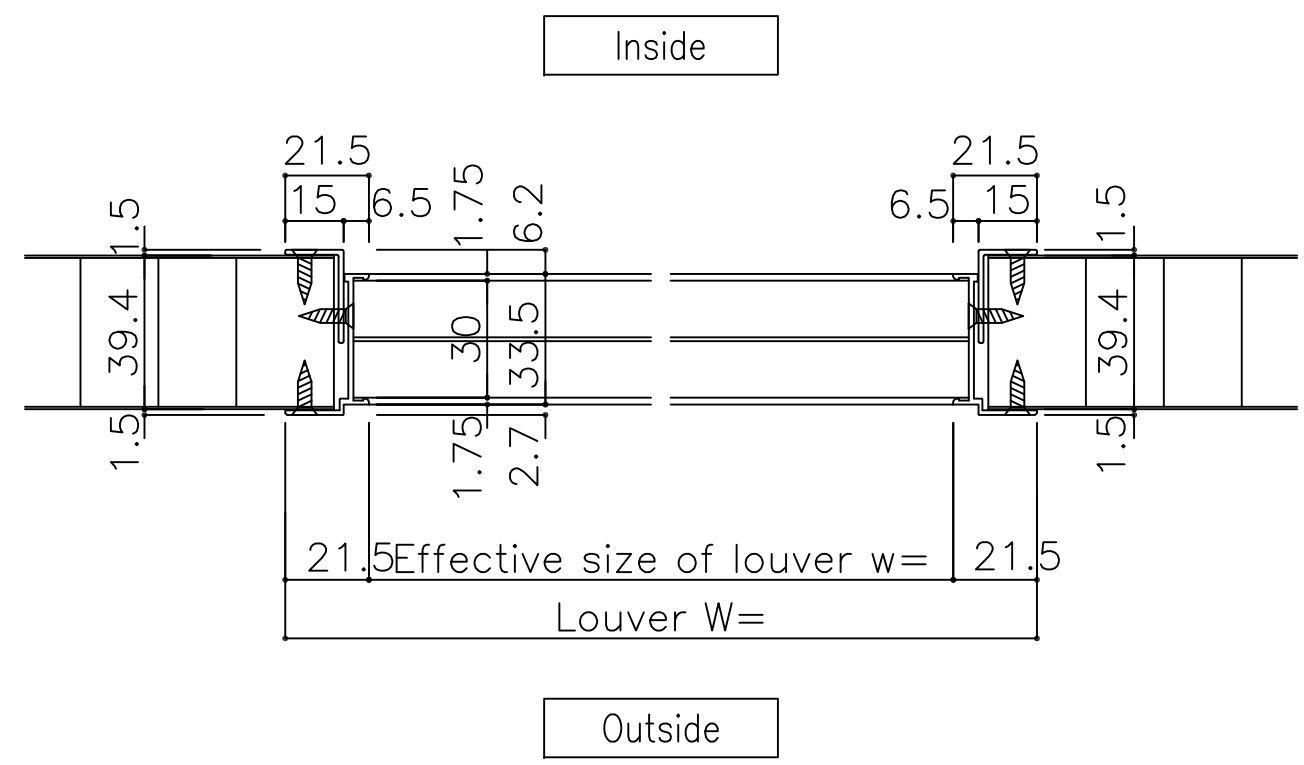
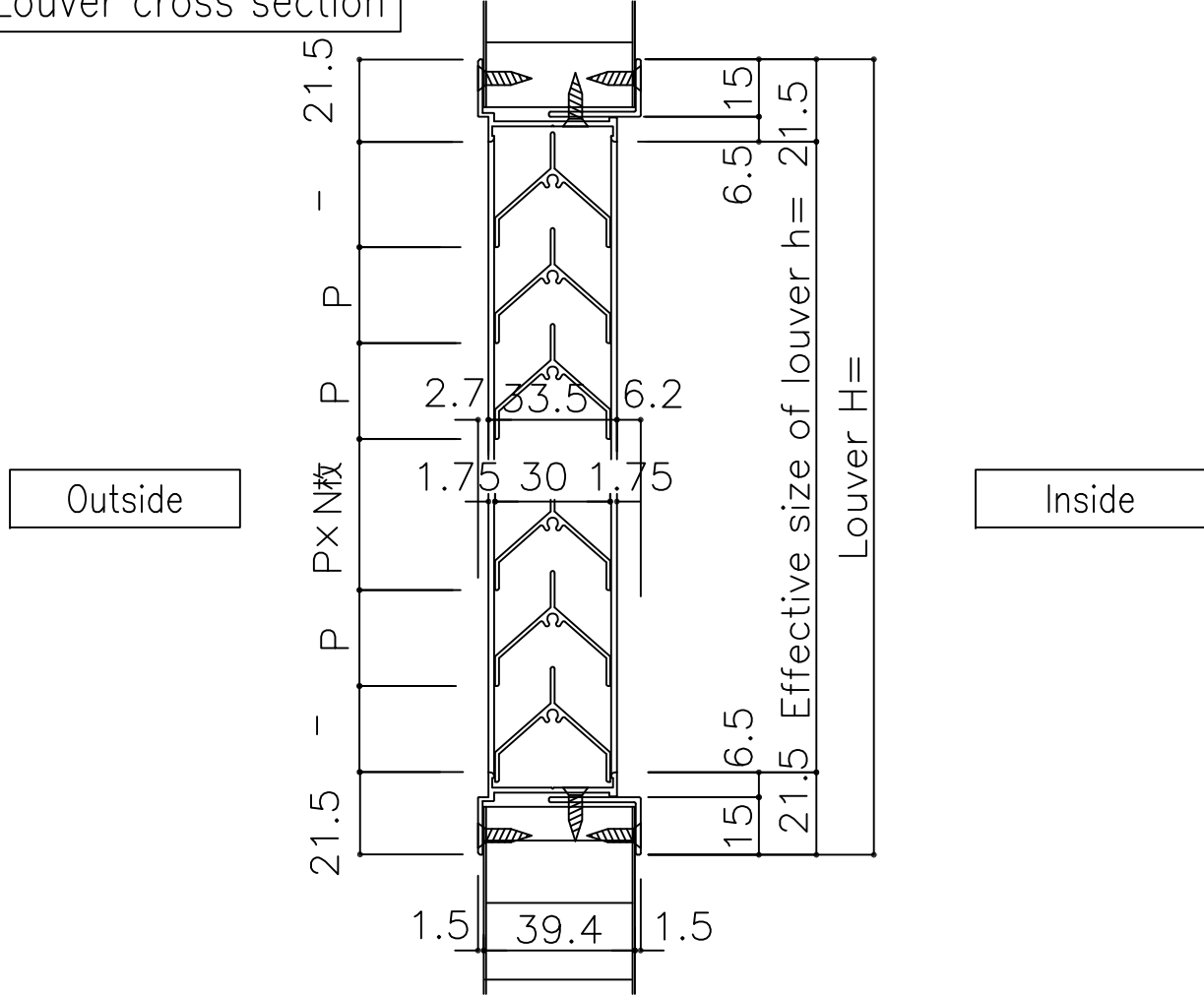
Reference No -
Page No 03
Date - - - -

Detail Window cross section

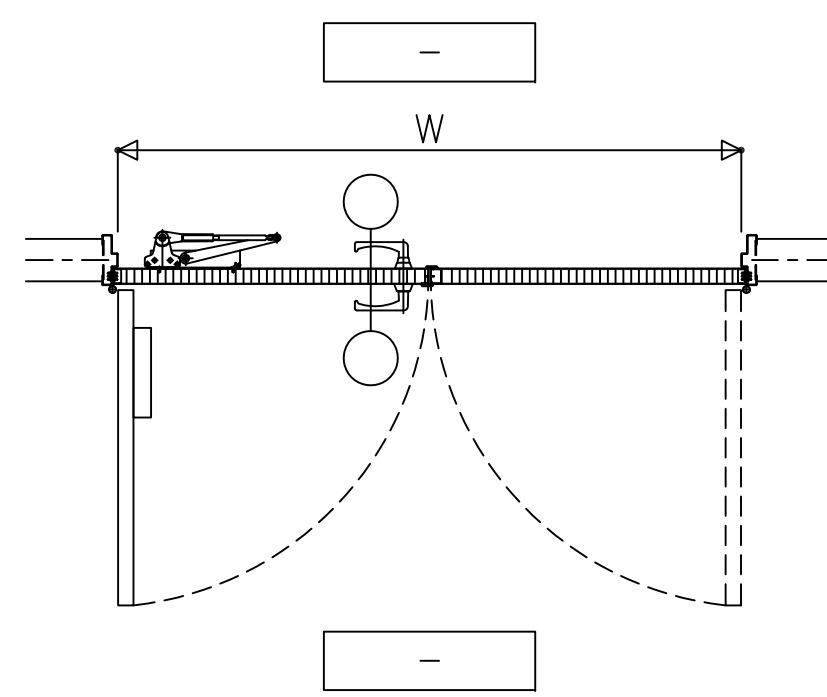
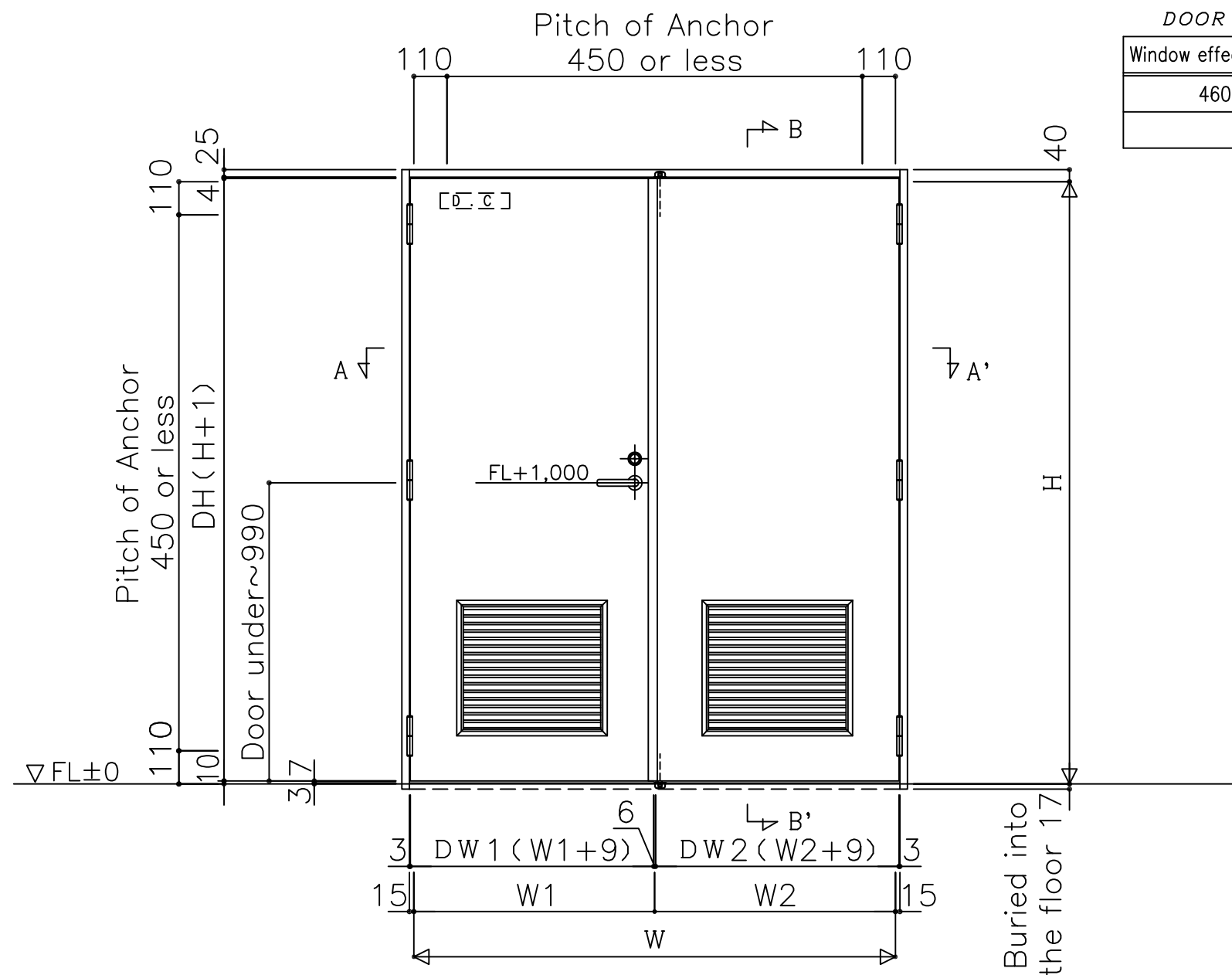
※ Uniflow will arrange the glass beads (glazing beads)
Compatible 3, 4, 5, and 6.8 mm in glass thickness.
※ It means a profile sketch.
The size of louvers shows the outside size.



Detail Louver cross section



	Receipt	Project Title	drawing name		Checked by	Checked by	Drawn by	Scale	Reference No
			LSD Window, Louver Detail					1/2	-
									Page No
									Date



DOOR Manufacturable Range

Window effective aperture (W)	Window height (H)	Opening range W	Opening range H
460	600	1500 ≤ W ≤ 2400	1900 ≤ H ≤ 2300
No window		1200 ≤ W < 1500	1800 ≤ H < 1900

With Louver

Sign	Quantity	Mounting location		
	-	~		
Type	Light steel door (Double door) LSD Flag hinge (Left) One-way			
Door	Surface material	Colored Steel Plate	Color: Ivory t=0.6mm	
	Core of the door	Paper Core	-	
	Window frame	-	- The internal dimension:	
	Window Material	-	-	
	Louvers	Aluminium	Silver Usable dimension:	
Frame	Material	Steel	1.6t Rust Paint depth width of frame: -	
Door Sill	Material	SUS304	1.5t HL	
Manufacturer		Part number	Remarks	Quantity
Lever handle	MIWA	U9LA50-※ ST BS64	handle: 50 stainless steel HL	1
Door closer	RYOBI	S1002P	Wish stop Color: Silver	1
Flag hinge	-	anactment article	-	3
Flush bolt (up, down)	SHIBUTANI	DE-7Z	-	1
In response dropped (up)	SHIBUTANI	DB-67	-	1
In response dropped (down)	SHIBUTANI	DB-67	-	1
Frame with Toto rubber	-	anactment article	-	2
With floor Toto	-	anactment article	-	1

○	○	○	○	○	○	○	○	○	○
○	○	○	○	○	○	○	○	○	○
○	○	○	○	○	○	○	○	○	○
○	○	○	○	○	○	○	○	○	○
○	○	○	○	○	○	○	○	○	○

Receipt

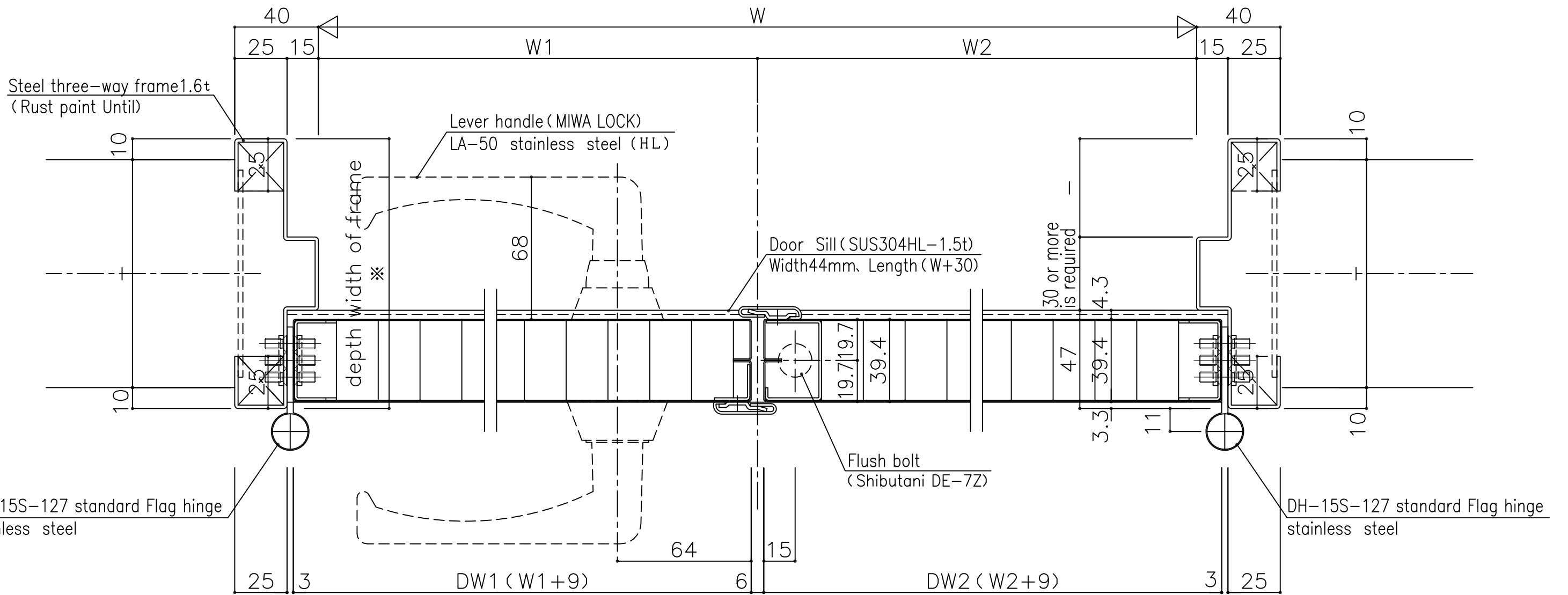
Project Taitle

drawing name
Light steel door (Double door)
(Split frame)
LSD Flag hinge (Left)
《Installation view》

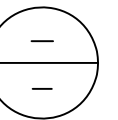


Checked by
Checked by
Drawn by
Scale 1/20
Reference No -
Page No 01
Date - - - -

-

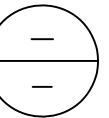
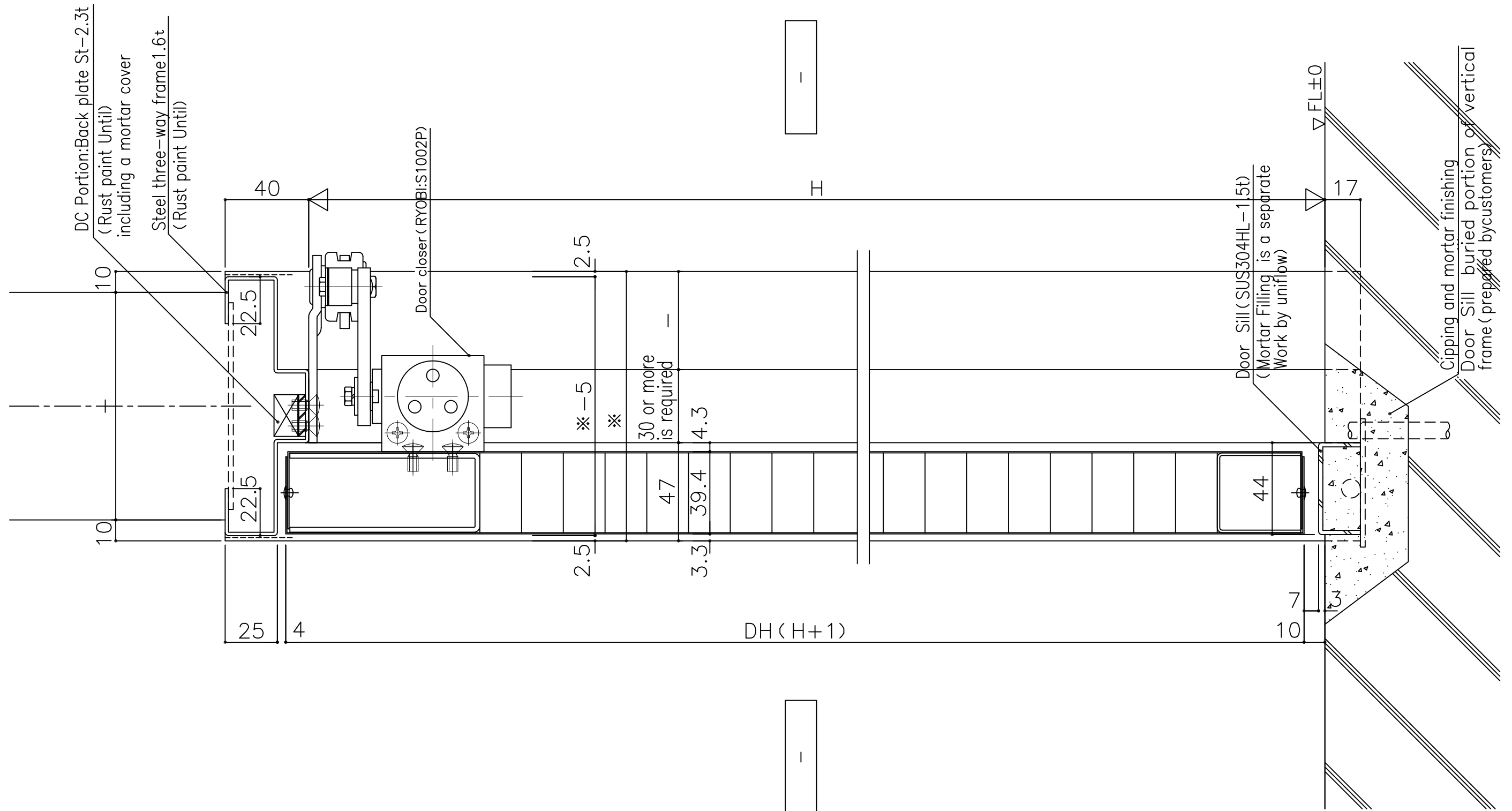


A-A' SECTION



	- - - - -	Receipt	Project Title	drawing name		Checked by	Checked by	Drawn by	Scale	Reference No
	o o o o			Light steel door (Double door)					1/2	-
	o o o o			(Split frame)					/	Page No 02
	o o o o			LSD Flag hinge (Left)						Date - - - - -
o o o o			◀ Horizontal cross section ▶							

B-B' SECTION



00	-	o	o	o	-
01	o	o	o	o	o
02	o	o	o	o	o
03	o	o	o	o	o
04	o	o	o	o	o

Receipt

Project Title
-

drawing name
Light steel door (Double door)
(Split frame)
LSD Flag hinge (Left)
《Vertical cross section》



Checked by

Checked by
-

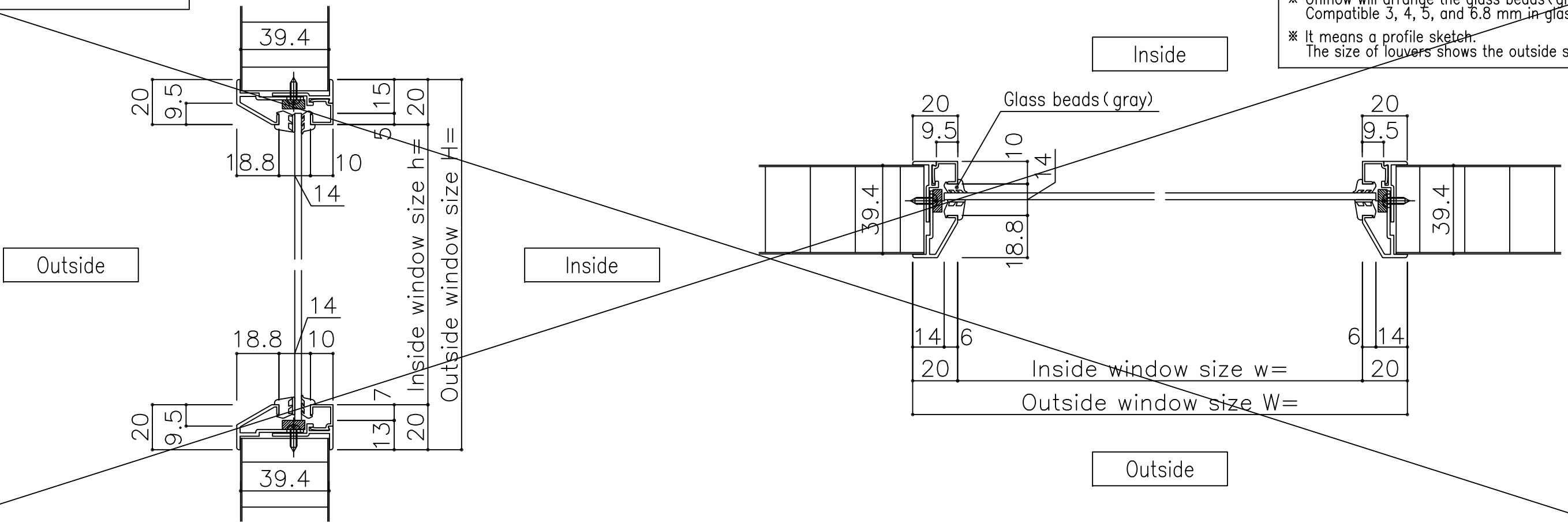
Drawn by
-

Scale
1/2

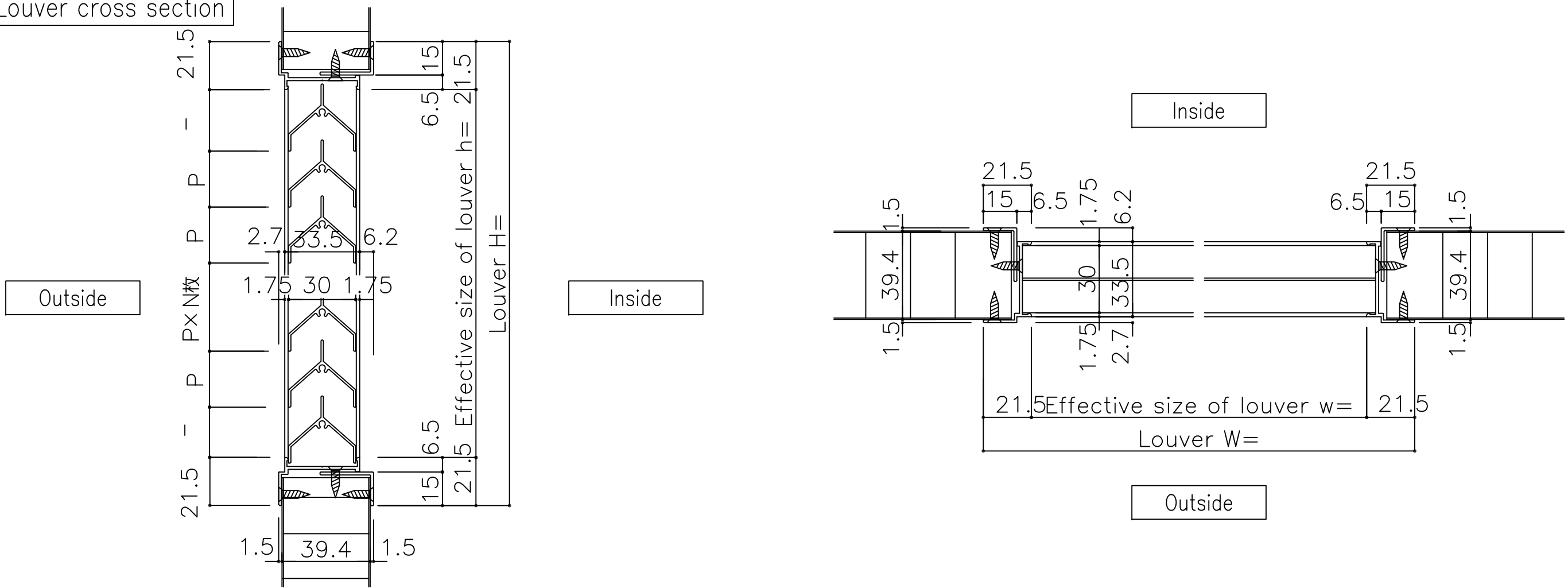
Reference No -
Page No 03
Date - . - . -

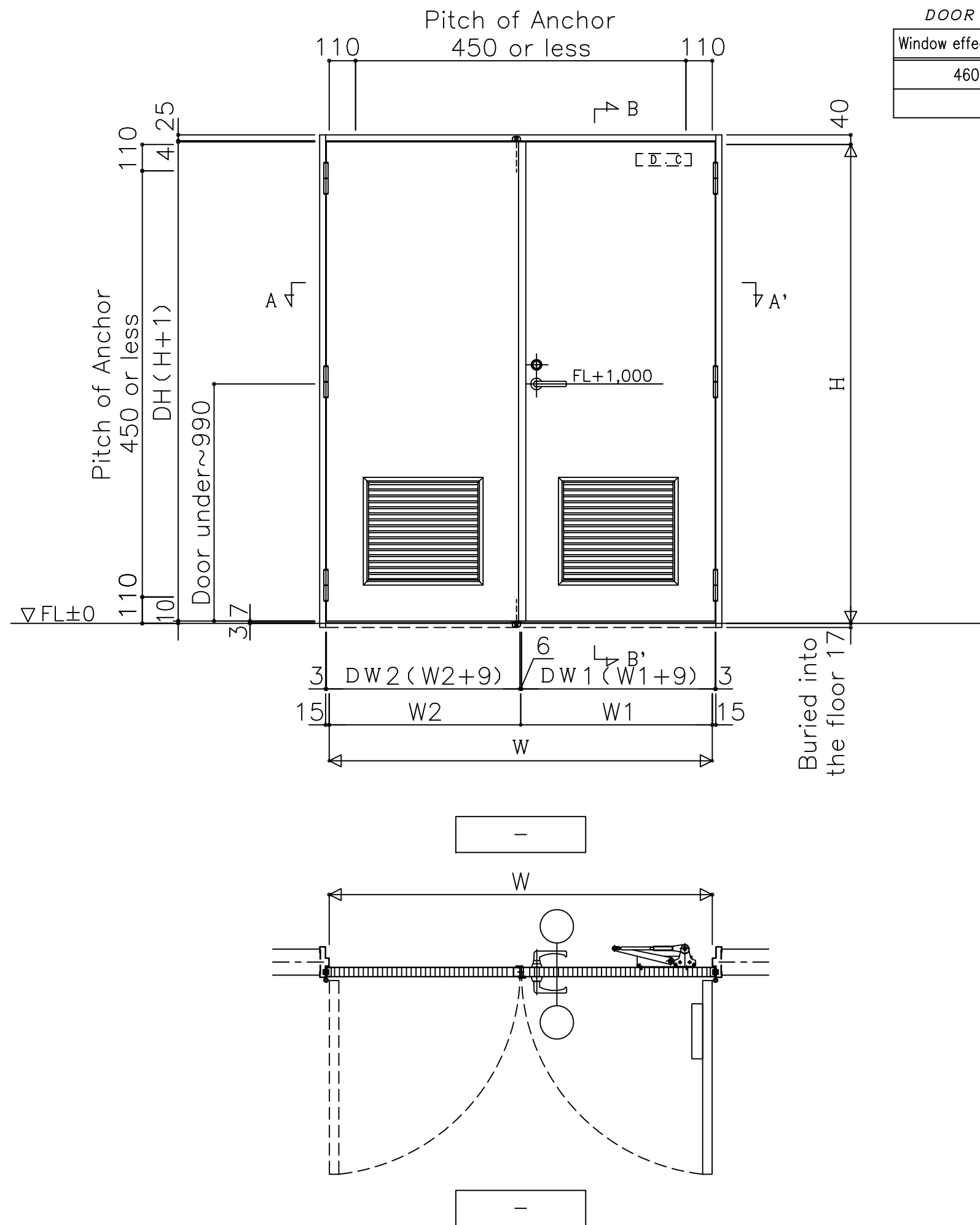
Detail Window cross section

※ Uniflow will arrange the glass beads (glazing beads)
Compatible 3, 4, 5, and 6.8 mm in glass thickness.
※ It means a profile sketch.
The size of louvers shows the outside size.



Detail Louver cross section





DOOR Manufacturable Range

Window effective aperture (W)	Window height (H)	Opening range W	Opening range H
460	600	$1500 \leq W \leq 2400$	$1900 \leq H \leq 2300$
No window		$1200 \leq W < 1500$	$1800 \leq H < 1900$

With Louver

Sign	Quantity	Mounting location		
	-	~		
Type	Light steel door (Double door) LSD Flag hinge (Right) One-way			
Door	Surface material	Colored Steel Plate	Color: Ivory t=0.6mm	
	Core of the door	Paper Core	-	
	Window frame	-	The internal dimension:	
	Window Material	-	-	
	Louvers	Aluminium	Silver Usable dimension:	
Frame	Material	Steel	1.6t Rust Paint depth width of frame: -	
Door Sill	Material	SUS304	1.5t HL	
Manufacturer		Part number	Remarks	Quantity
Lever handle	MIWA	U9LA50-※ ST BS64	handle: 50 stainless steel HL	1
Door closer	RYOBI	S1002P	Wish stop Color: Silver	1
Flag hinge	-	anactment article	-	3
Flush bolt (up, down)	SHIBUTANI	DE-7Z	-	1
In response dropped (up)	SHIBUTANI	DB-67	-	1
In response dropped (down)	SHIBUTANI	DB-67	-	1
Frame with Toto rubber	-	anactment article	-	2
With floor Toto	-	anactment article	-	1

○	○	○	○	○	○	○	○	○	○
○	○	○	○	○	○	○	○	○	○
○	○	○	○	○	○	○	○	○	○
○	○	○	○	○	○	○	○	○	○
○	○	○	○	○	○	○	○	○	○

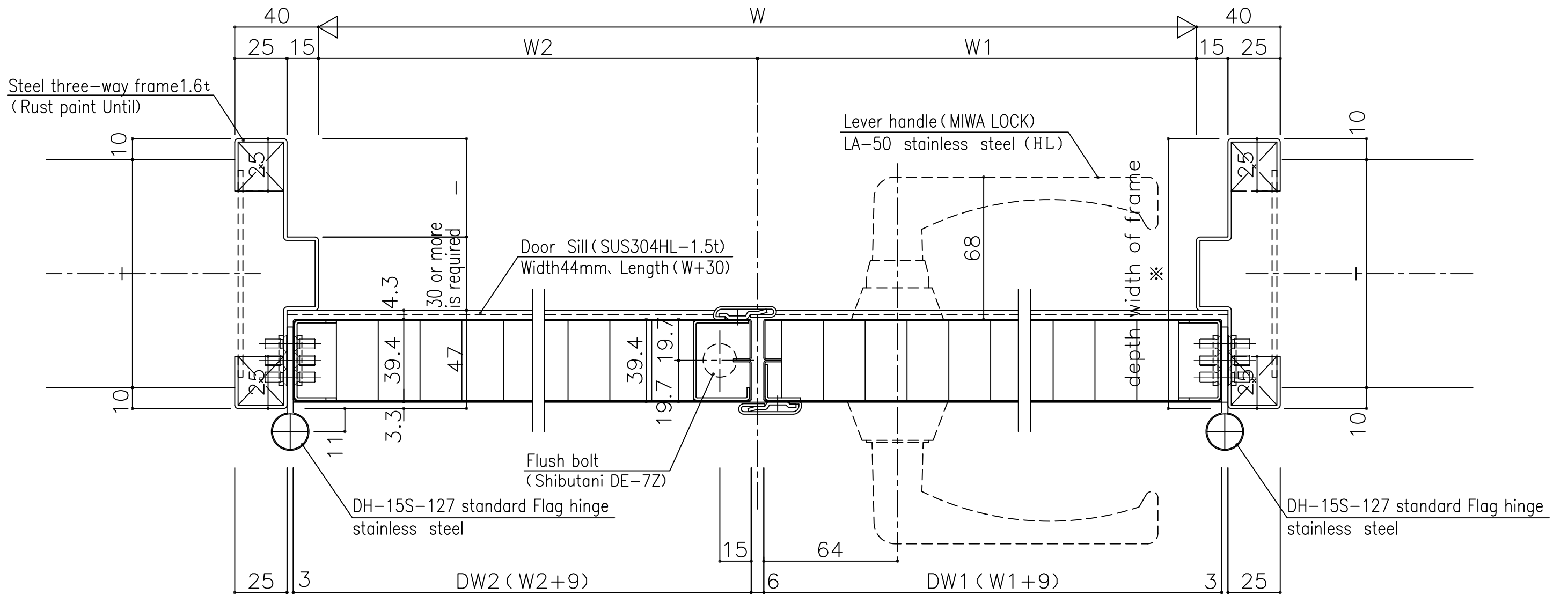
Receipt

Project Taitle

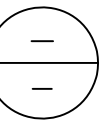
drawing name
Light steel door (Double door)
(Split frame)
LSD Flag hinge (Right)
◀ Installation view ▶



Checked by
Checked by
Drawn by
Scale 1/20
Reference No -
Page No 01
Date - - - -



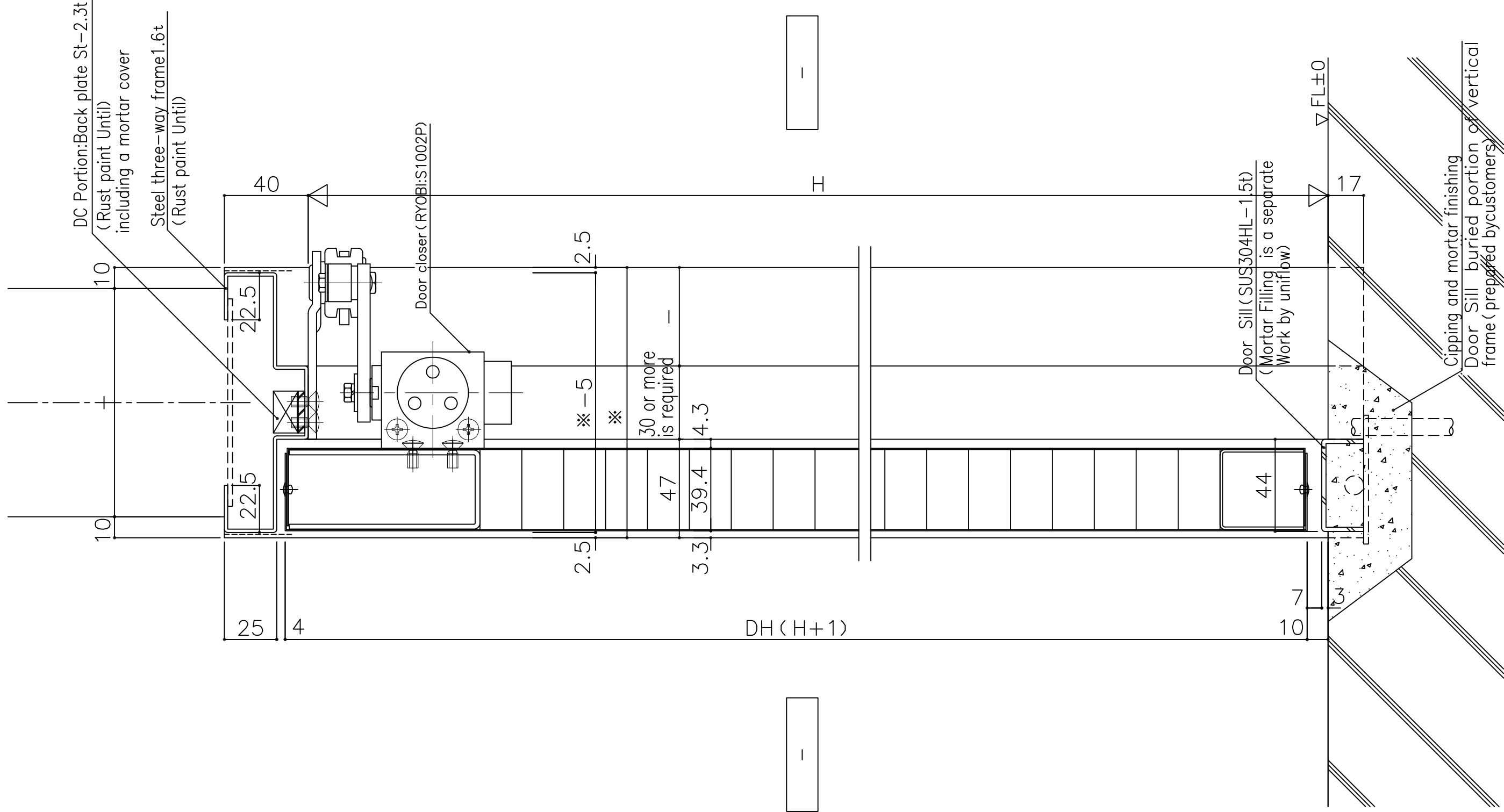
A-A' SECTION



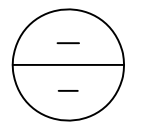
30-000000 00-000000 00-000000 00-000000 00-000000	Receipt	Project Title	drawing name	UNIFLOW	Checked by	Checked by	Drawn by	Scale	Reference No
			Light steel door (Double door) (Split frame)					1/2	-
			LSD Flag hinge (Right)					/	Page No 02
			◀ Horizontal cross section ▶						Date - - - -

DC Portion: Back plate St-2.3t
(Rust paint Until)
including a mortar cover

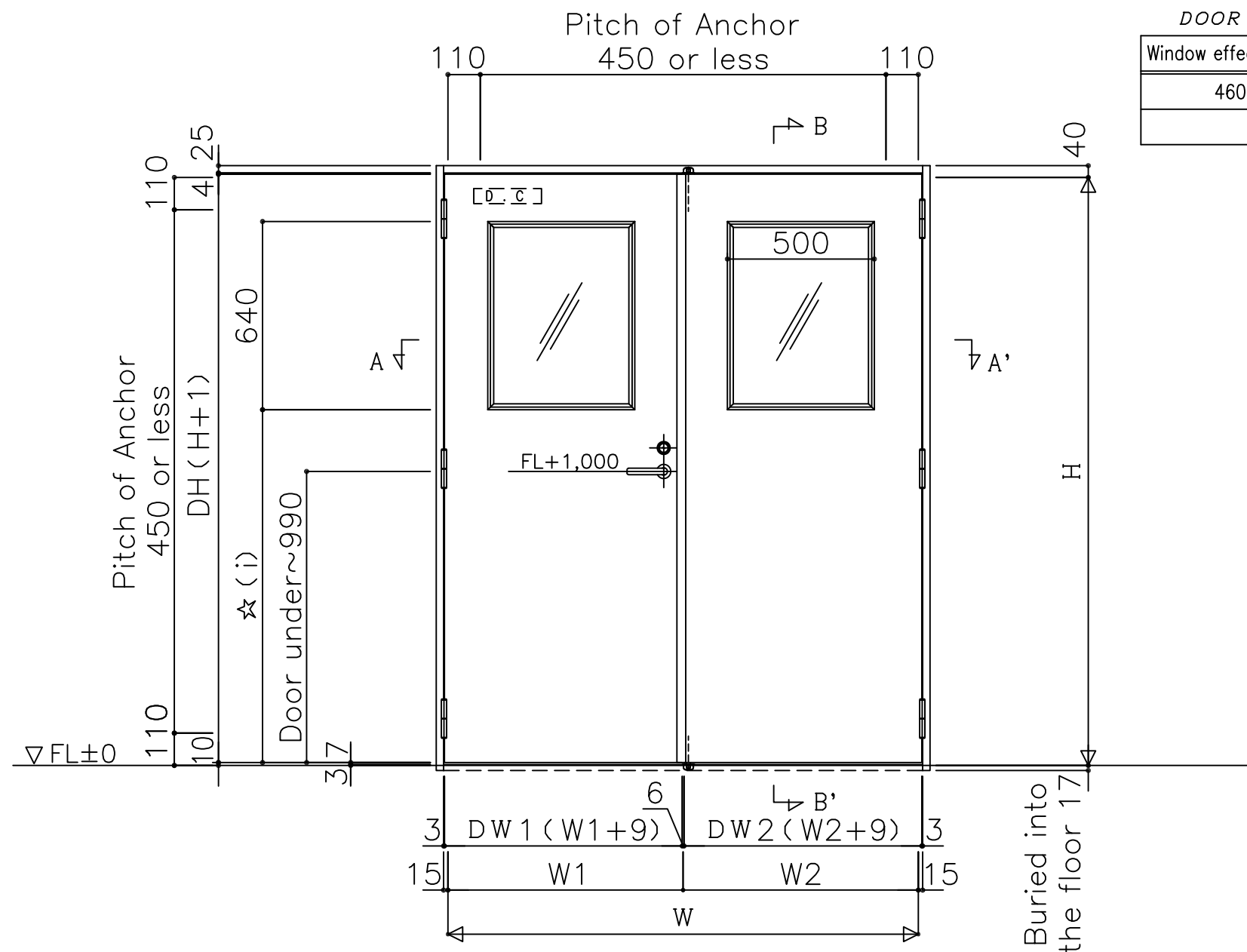
Steel three-way frame 1.6t
(Rust paint Until)



B-B' SECTION



30-081100 〃 〃 〃 〃 〃	- - - - -	Receipt	Project Title	drawing name	UNIFLOW	Checked by	Checked by	Drawn by	Scale	Reference No			
	〃									-	Light steel door (Double door)	1/2	-
	〃									-	(Split frame)	/	Page No
	〃									-	LSD Flag hinge (Right)	-	03
	〃									-	《Vertical cross section》	-	Date

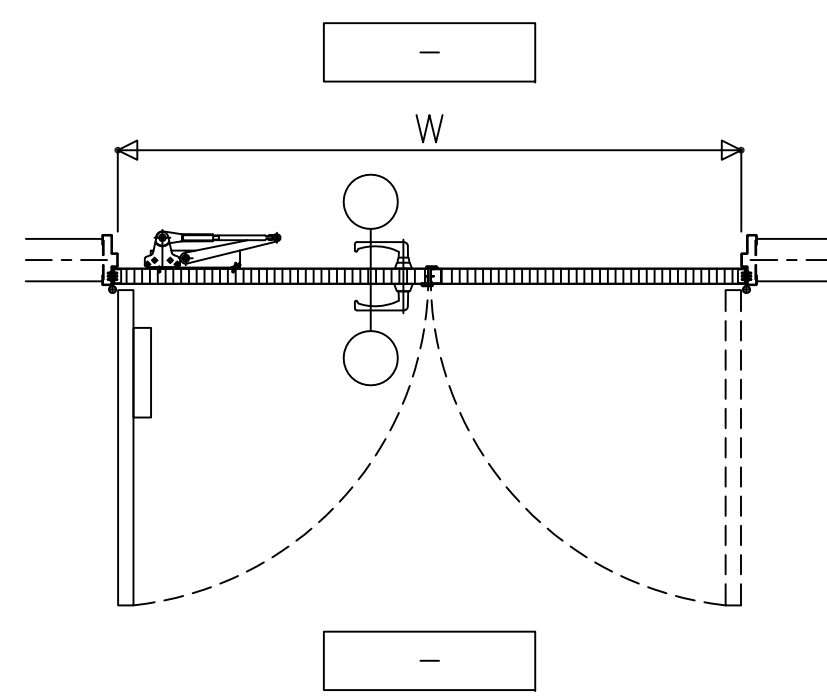


DOOR Manufacturable Range

Window effective aperture (W)	Window height (H)	Opening range W	Opening range H
460	600	$1500 \leq W \leq 2400$	$1900 \leq H \leq 2300$
No window		$1200 \leq W < 1500$	$1800 \leq H < 1900$

☆ (i) dimension is 1800 ≤ H < 2000 case: door under ~ 1100, 2000 ≤ H ≤ 2300 case: door under ~ 1200.

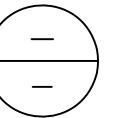
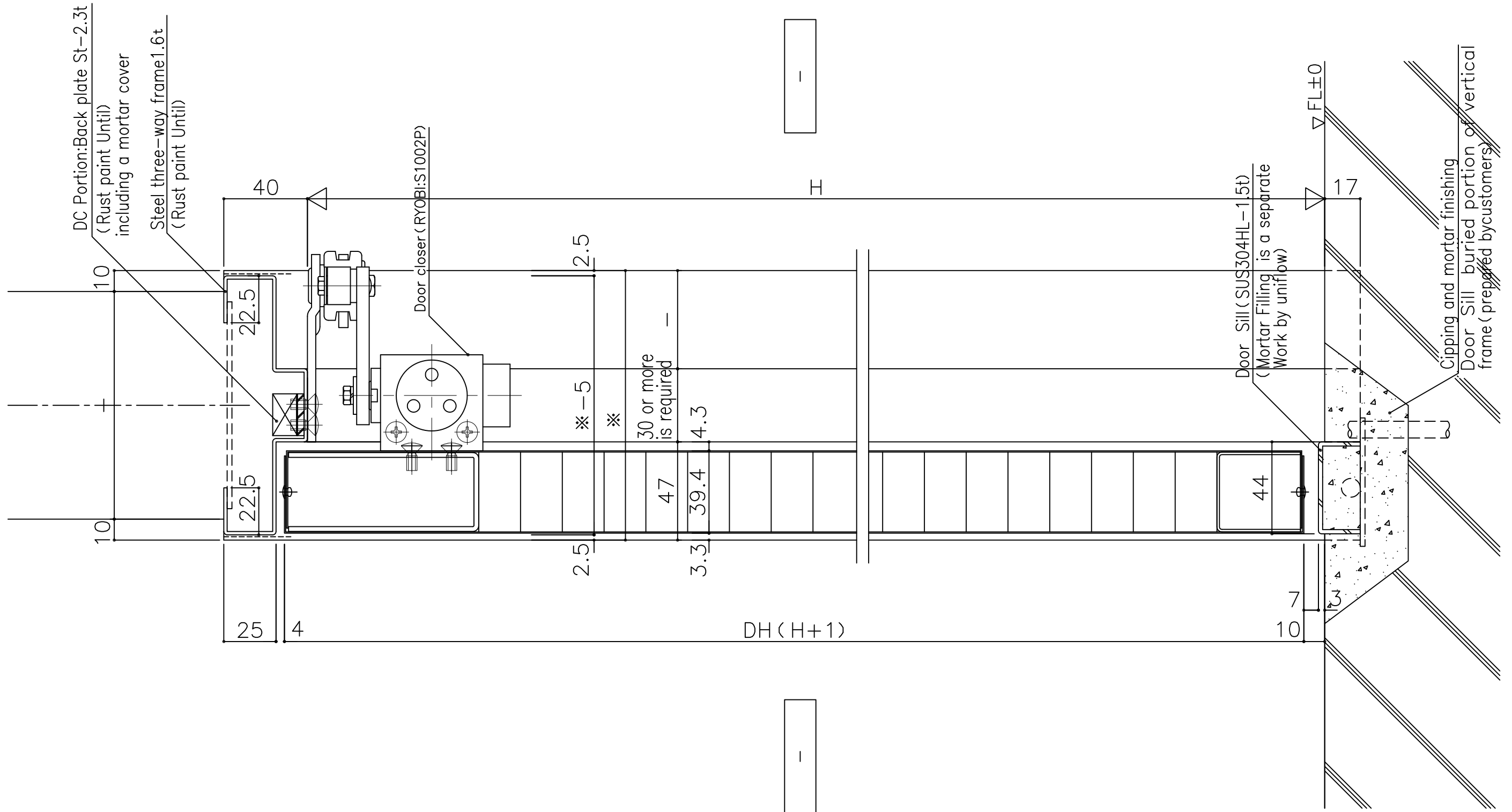
With Window



Sign	Quantity	Mounting location		
	-	~		
Type	Light steel door (Double door) LSD Flag hinge (Left) One-way			
Door	Surface material	Colored Steel Plate	Color: Ivory t=0.6mm	
	Core of the door	Paper Core	-	
	Window frame	Aluminium	Silver The internal dimension: 460x600	
	Window Material	-	-	
Louvers	-	Usable dimension:		
Frame	Material	Steel	1.6t Rust Paint depth width of frame: -	
Door Sill	Material	SUS304	1.5t HL	
Manufacturer		Part number	Remarks	Quantity
Lever handle	MIWA	U9LA50-※ ST BS64	handle: 50 stainless steel HL	1
Door closer	RYOBI	S1002P	Wish stop Color: Silver	1
Flag hinge	-	anactment article	-	3
Flush bolt (up, down)	SHIBUTANI	DE-7Z	-	1
In response dropped (up)	SHIBUTANI	DB-67	-	1
In response dropped (down)	SHIBUTANI	DB-67	-	1
Frame with Toto rubber	-	anactment article	-	2
With floor Toto	-	anactment article	-	1



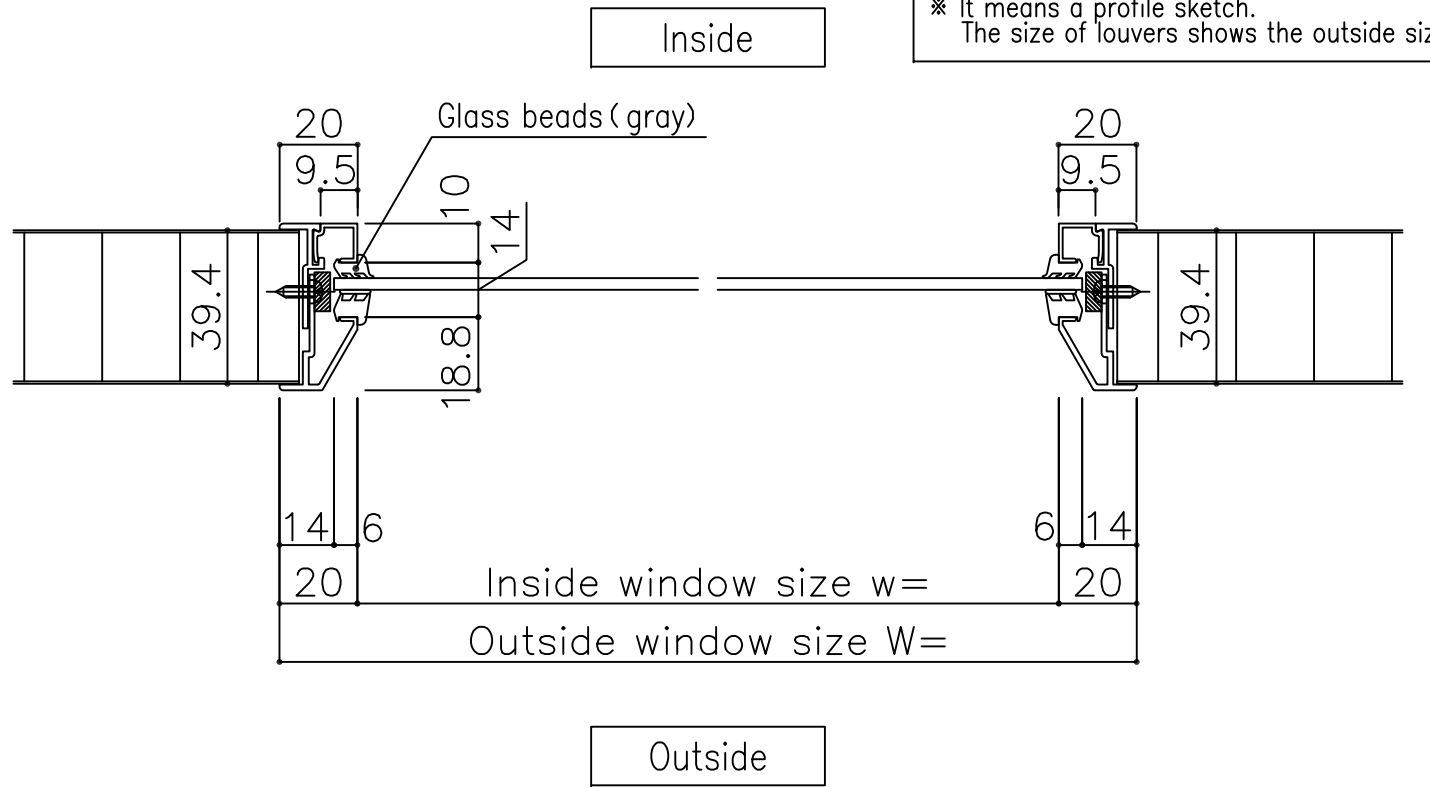
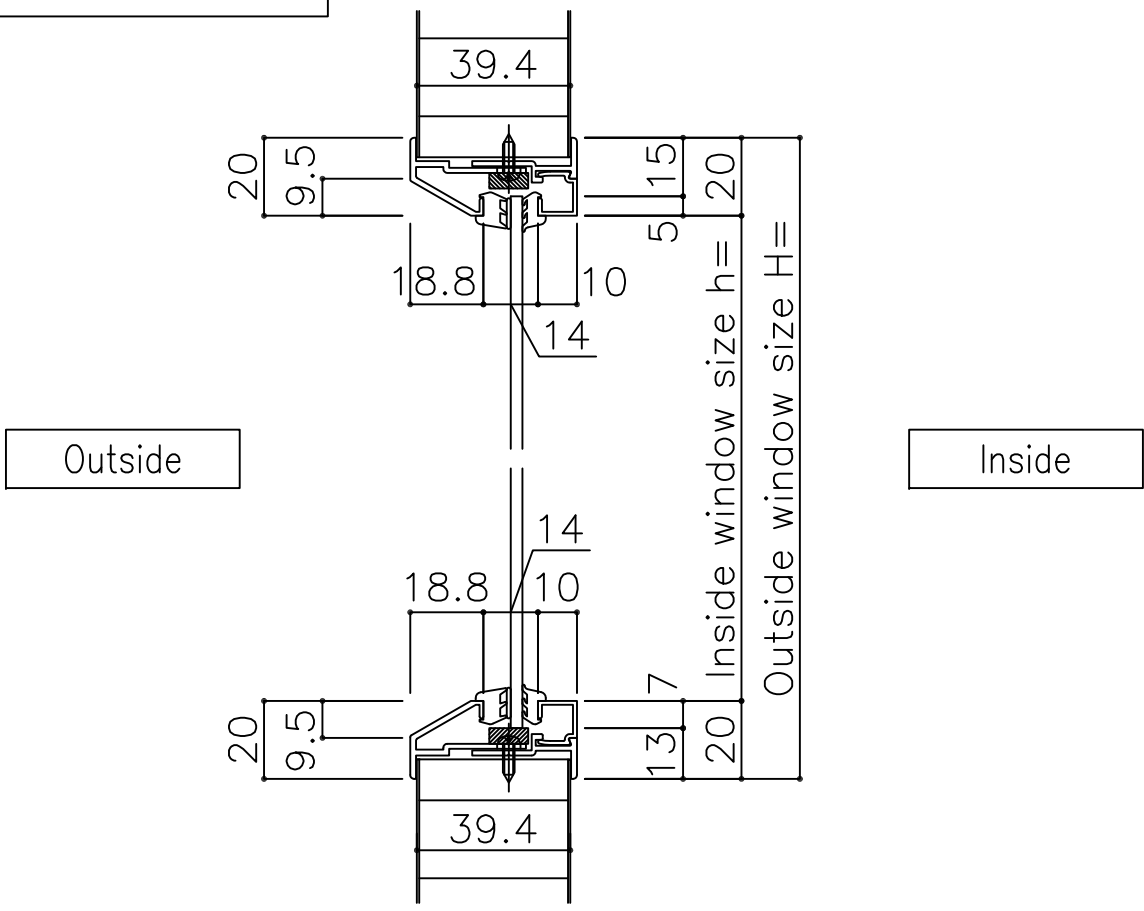
B-B' SECTION



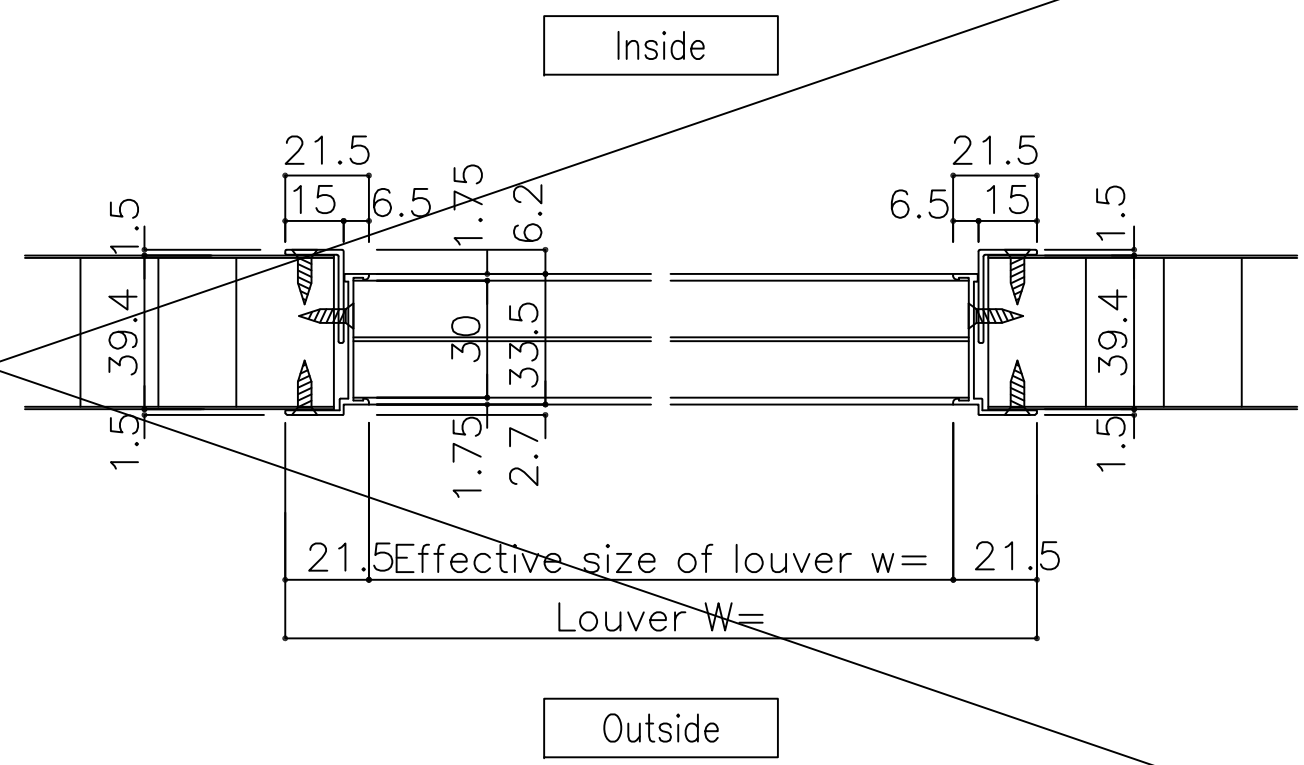
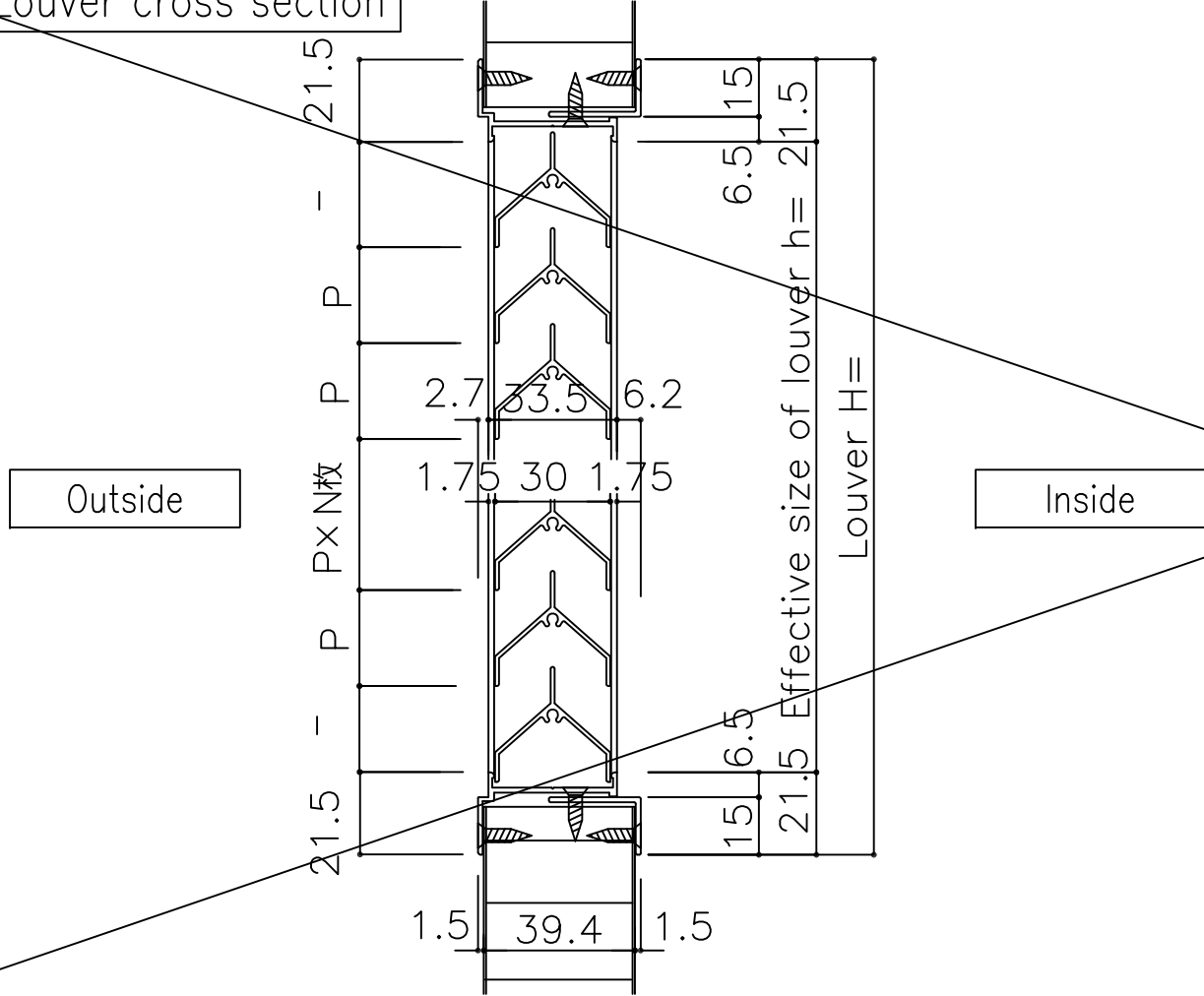
	Receipt	Project Title	drawing name		Checked by	Checked by	Drawn by	Scale	Reference No
			Light steel door (Double door) (Split frame)					1/2	-
			LSD Flag hinge (Left)					/	Page No 03
			◀ Vertical cross section ▶					Date - . - . -	

Detail Window cross section

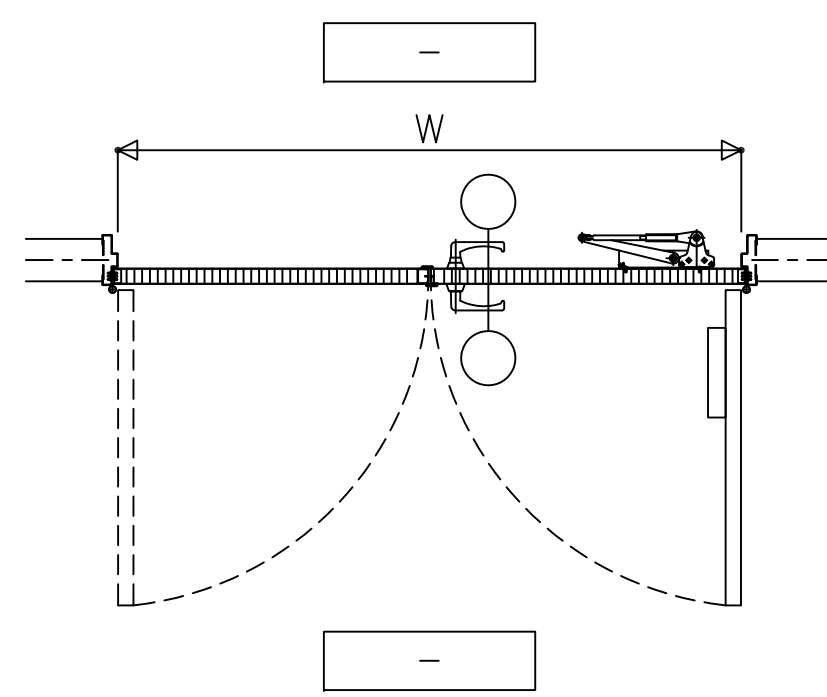
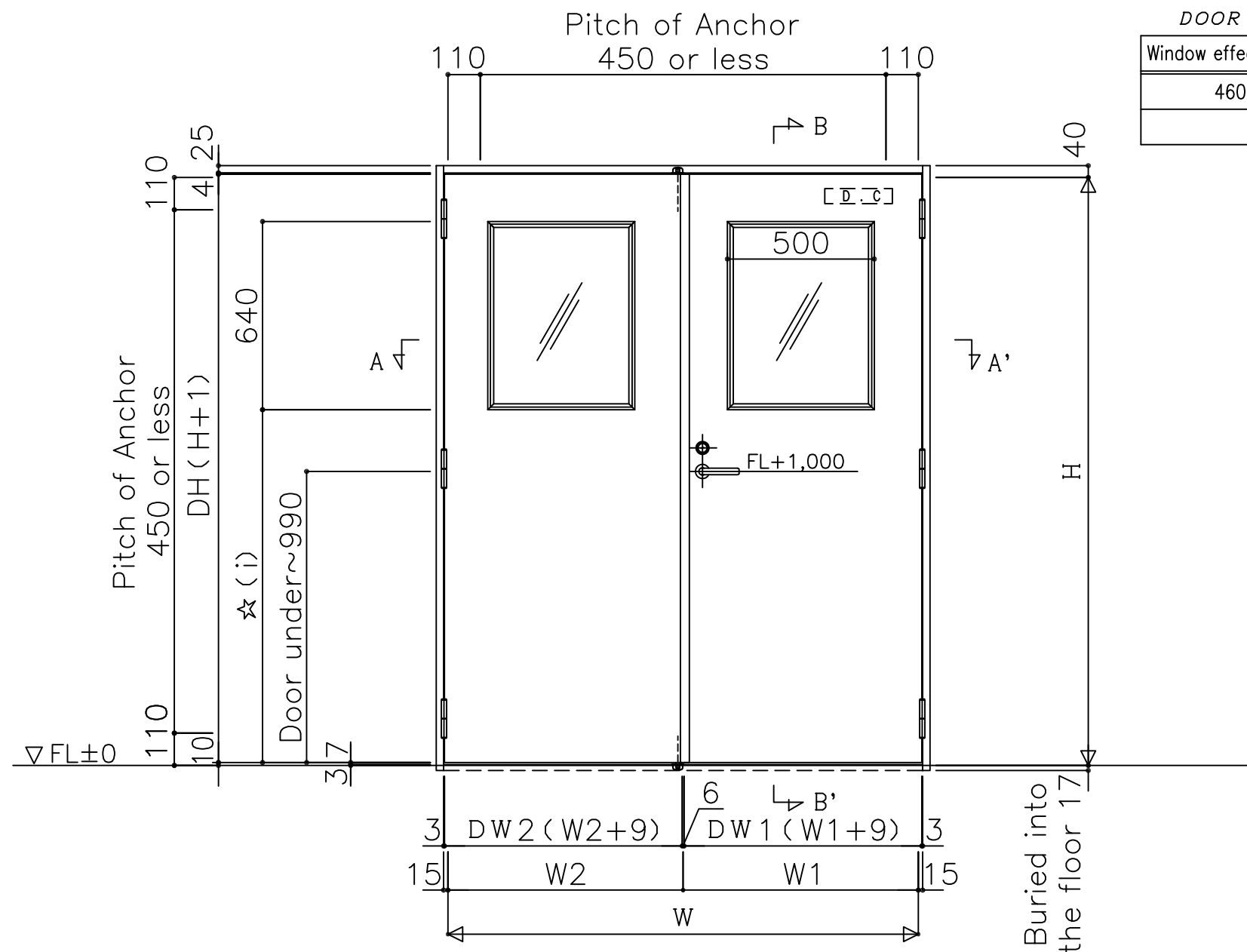
※ Uniflow will arrange the glass beads (glazing beads)
Compatible 3, 4, 5, and 6.8 mm in glass thickness.
※ It means a profile sketch.
The size of louvers shows the outside size.



Detail Louver cross section



	Receipt	Project Title	drawing name		Checked by	Checked by	Drawn by	Scale	Reference No
			LSD Window, Louver Detail					1/2	-
									Page No
									Date



DOOR Manufacturable Range

Window effective aperture (W)	Window height (H)	Opening range W	Opening range H
460	600	1500 ≤ W ≤ 2400	1900 ≤ H ≤ 2300
No window		1200 ≤ W < 1500	1800 ≤ H < 1900

☆ (i) dimension is 1800 ≤ H < 2000 case: door under ~ 1100,
2000 ≤ H ≤ 2300 case: door under ~ 1200.

With Window

Sign	Quantity	Mounting location		
⊖	-	~		
Type	Light steel door (Double door) LSD Flag hinge (Right) One-way			
Door	Surface material	Colored Steel Plate	Color: Ivory t=0.6mm	
	Core of the door	Paper Core	-	
	Window frame	Aluminium	Silver The internal dimension: 460x600	
	Window Material	-	-	
Louvers	-	Usable dimension:		
Frame	Material	Steel	1.6t Rust Paint depth width of frame: -	
Door Sill	Material	SUS304	1.5t HL	
Manufacturer		Part number	Remarks	Quantity
Lever handle	MIWA	U9LA50-※ ST BS64	handle: 50 stainless steel HL	1
Door closer	RYOBI	S1002P	Wish stop Color: Silver	1
Flag hinge	-	anactment article	-	3
Flush bolt (up, down)	SHIBUTANI	DE-7Z	-	1
In response dropped (up)	SHIBUTANI	DB-67	-	1
In response dropped (down)	SHIBUTANI	DB-67	-	1
Frame with Toto rubber	-	anactment article	-	2
With floor Toto	-	anactment article	-	1

○	○	○	○	○	○	○	○	○	○
○	○	○	○	○	○	○	○	○	○
○	○	○	○	○	○	○	○	○	○
○	○	○	○	○	○	○	○	○	○

Receipt

Project Taitle

drawing name
Light steel door (Double door)
(Split frame)
LSD Flag hinge (Right)
◀ Installation view ▶



Checked by

Checked by

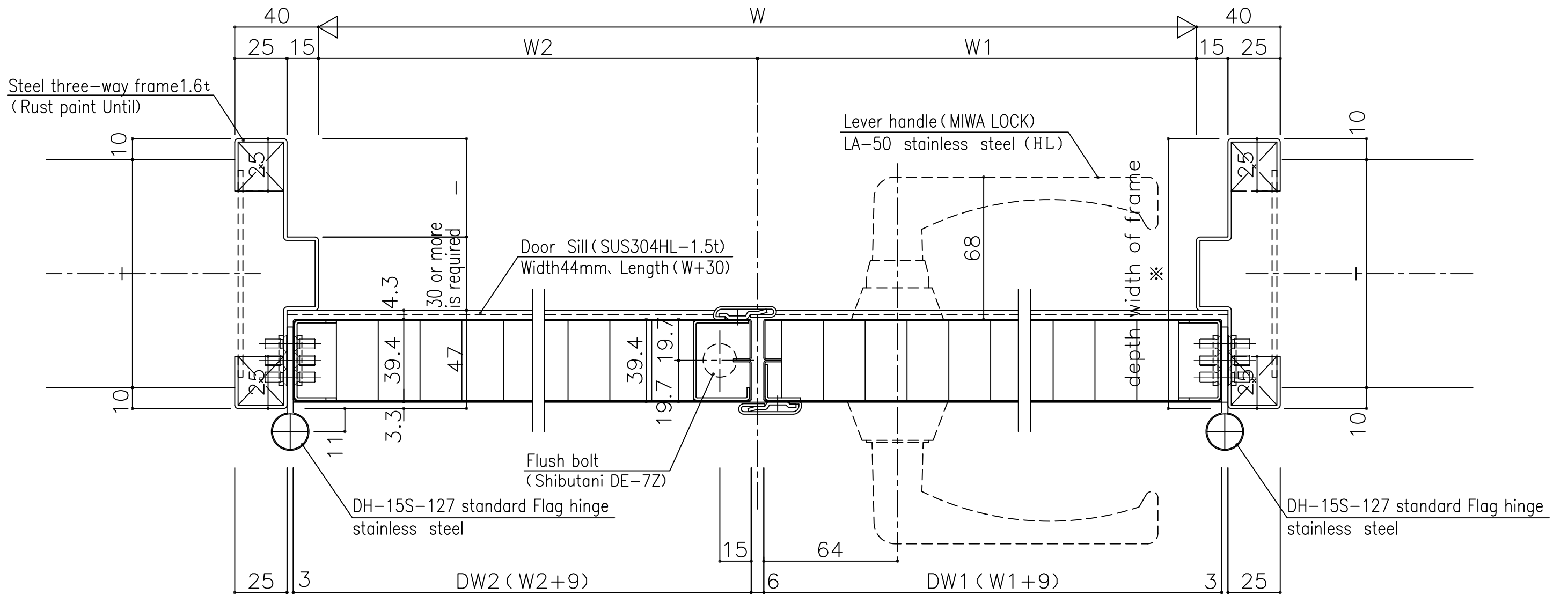
Drawn by

Scale 1/20

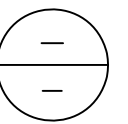
Reference No -

Page No 01

Date - - - -

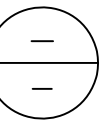
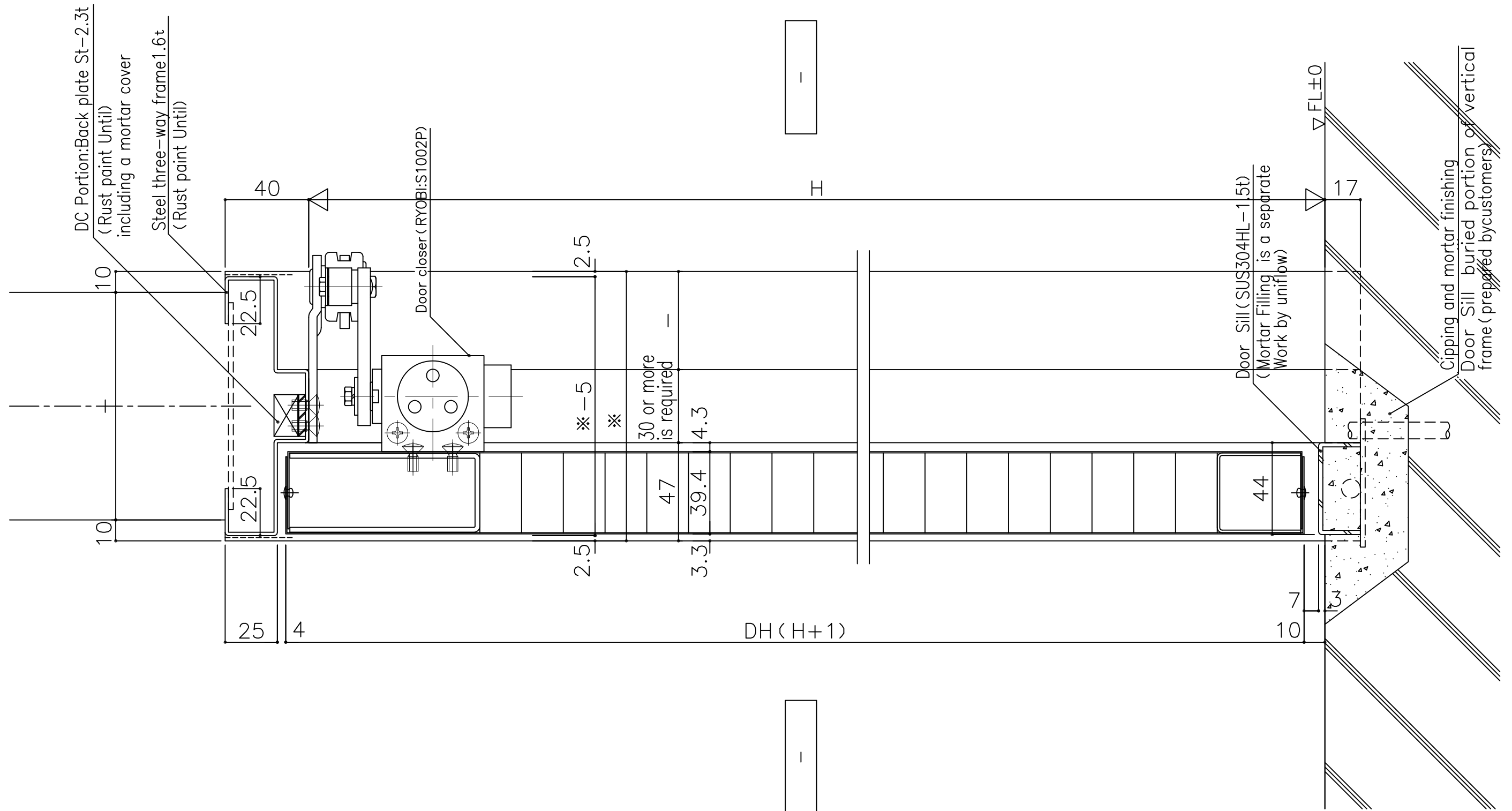


A-A' SECTION



30-000000 .	Receipt	Project Title	drawing name	UNIFLOW	Checked by	Checked by	Drawn by	Scale	Reference No
			Light steel door (Double door) (Split frame)					1/2	-
			LSD Flag hinge (Right)					/	Page No 02
			◀ Horizontal cross section ▶						Date - . - . -

B-B' SECTION



30-000000	-	o	o	o	o	-
		o	o	o	o	
		o	o	o	o	
		o	o	o	o	
		o	o	o	o	

Receipt

Project Title
-

drawing name
Light steel door (Double door)
(Split frame)
LSD Flag hinge (Right)
《Vertical cross section》



Checked by

Checked by
-

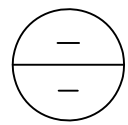
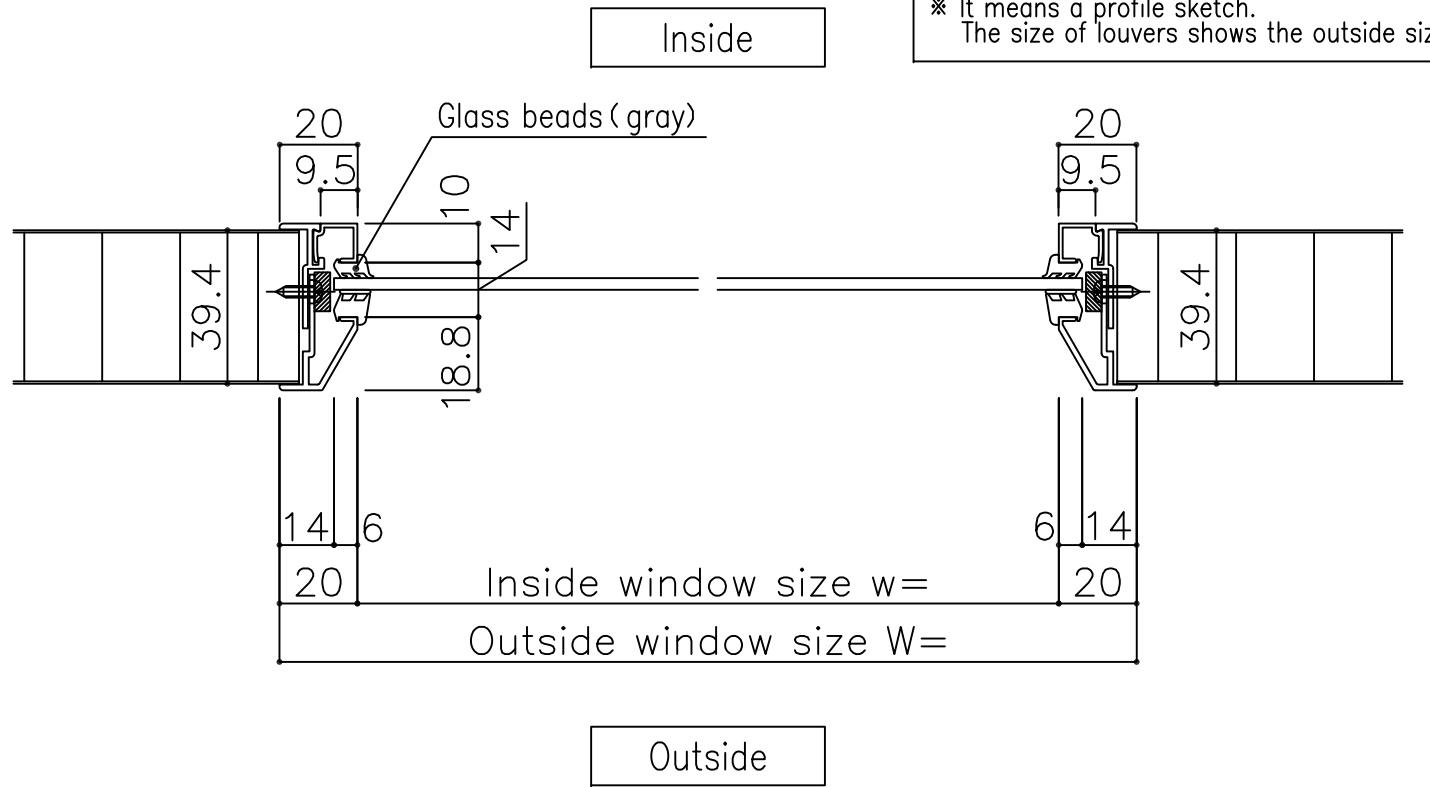
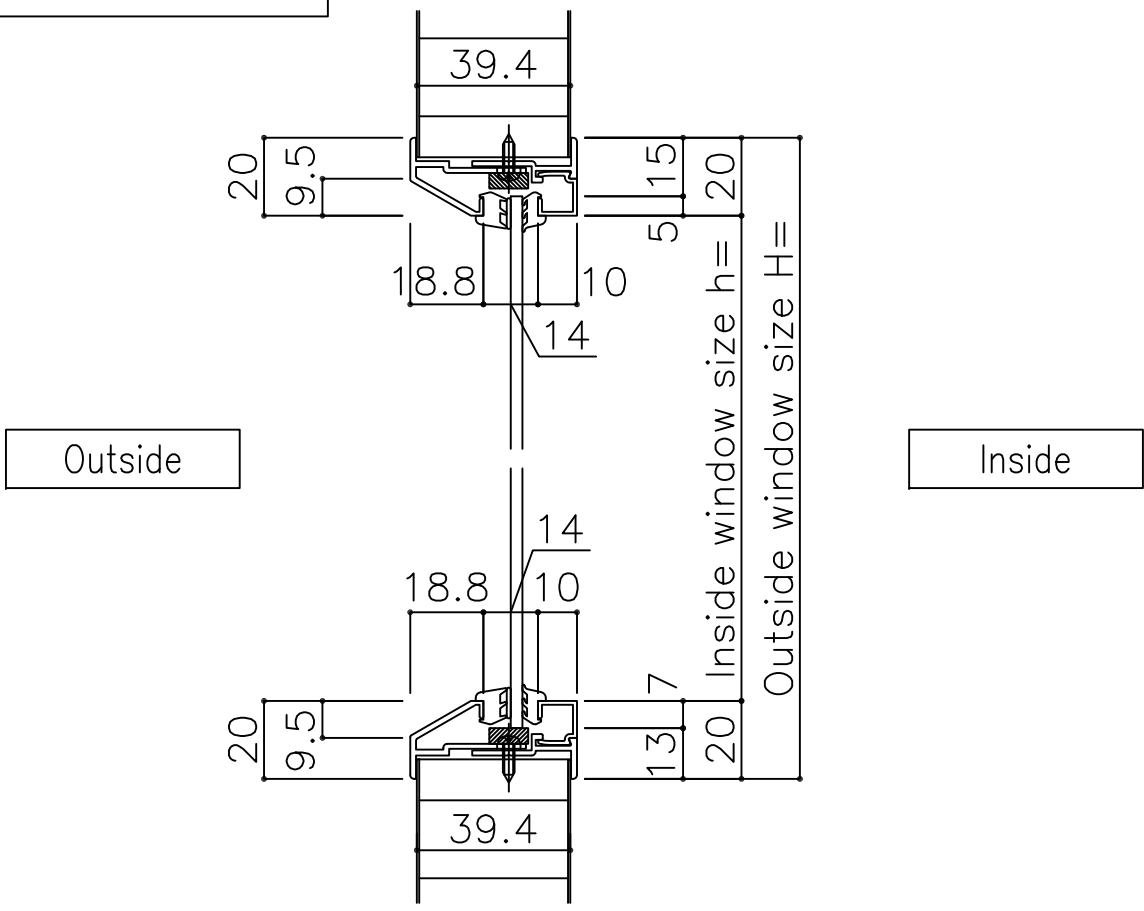
Drawn by
-

Scale
1/2

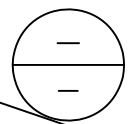
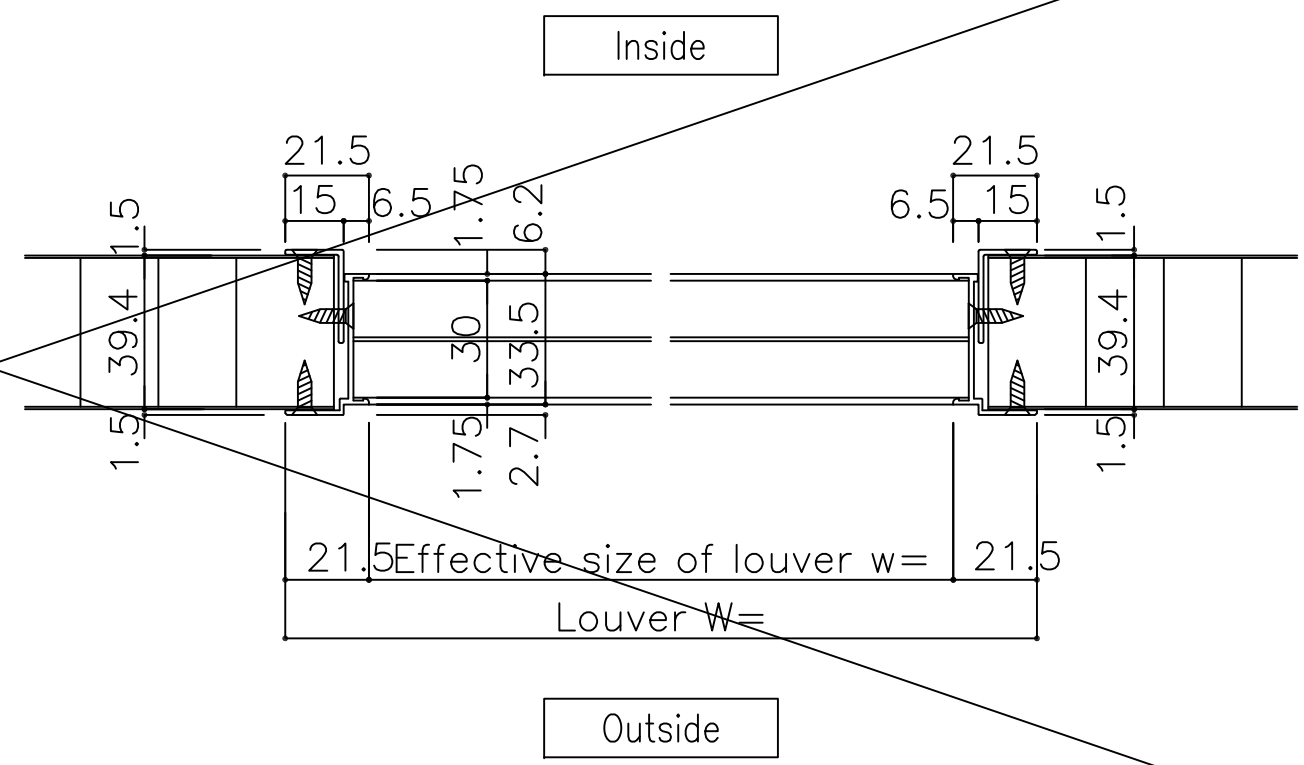
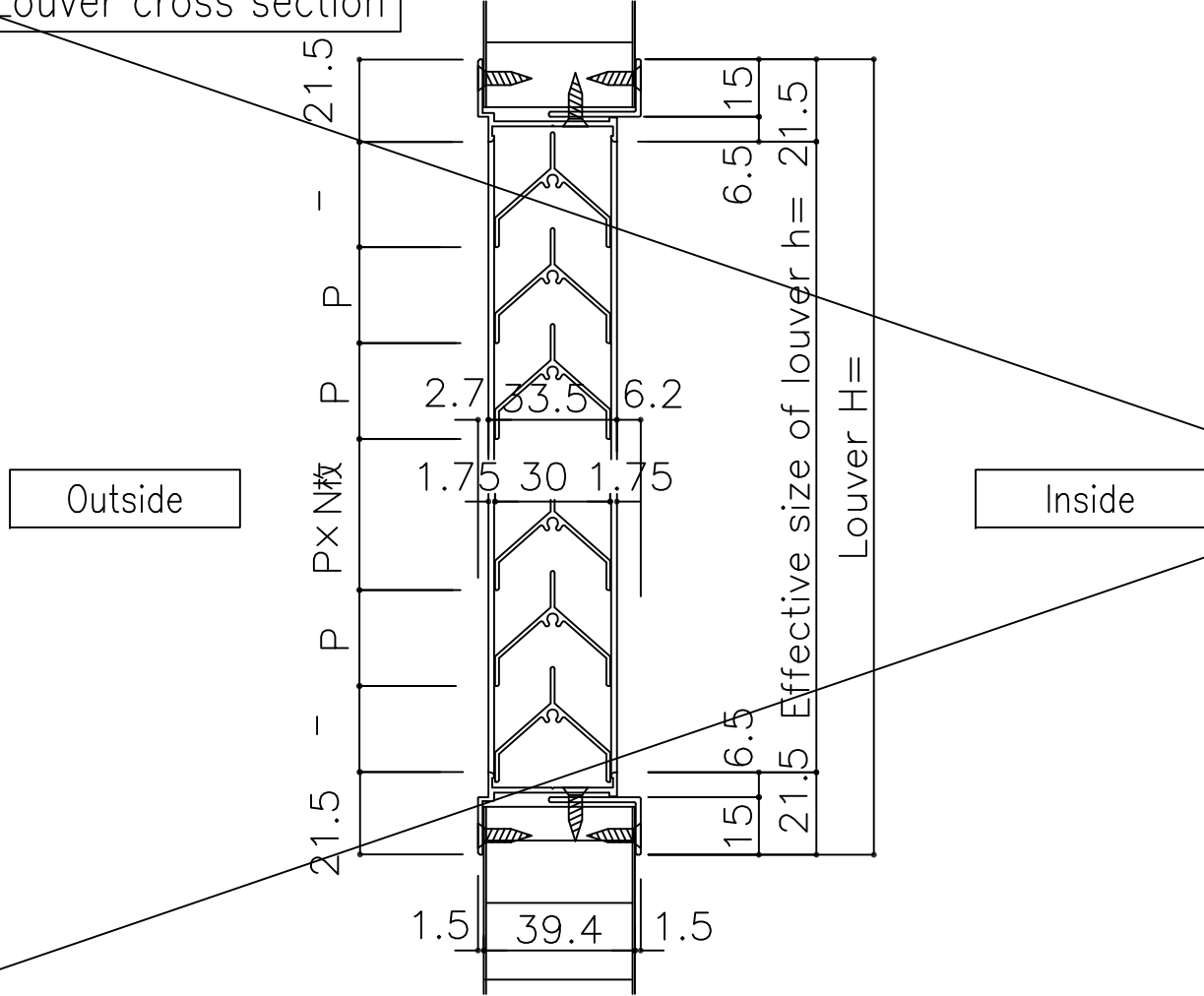
Reference No -
Page No 03
Date - - - -

Detail Window cross section

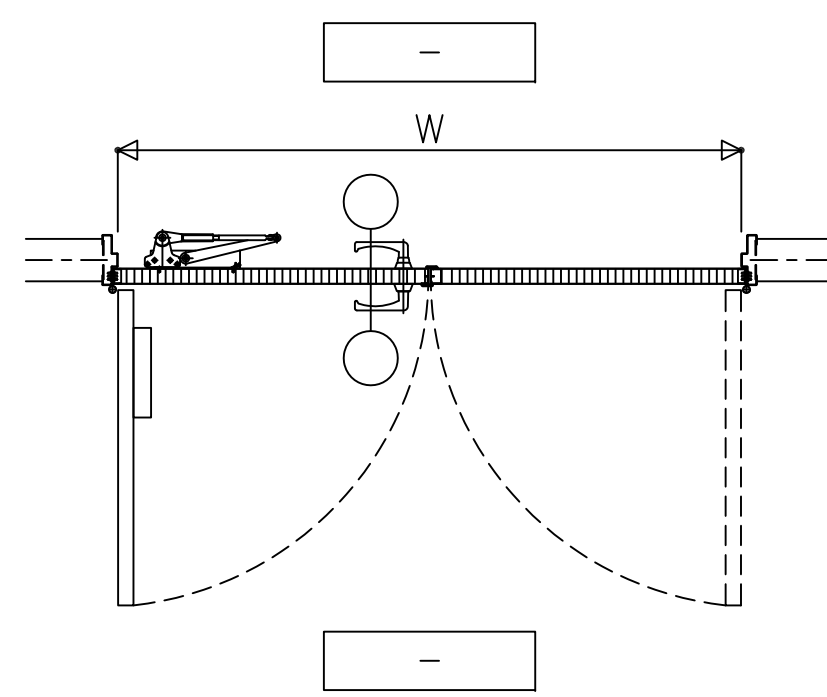
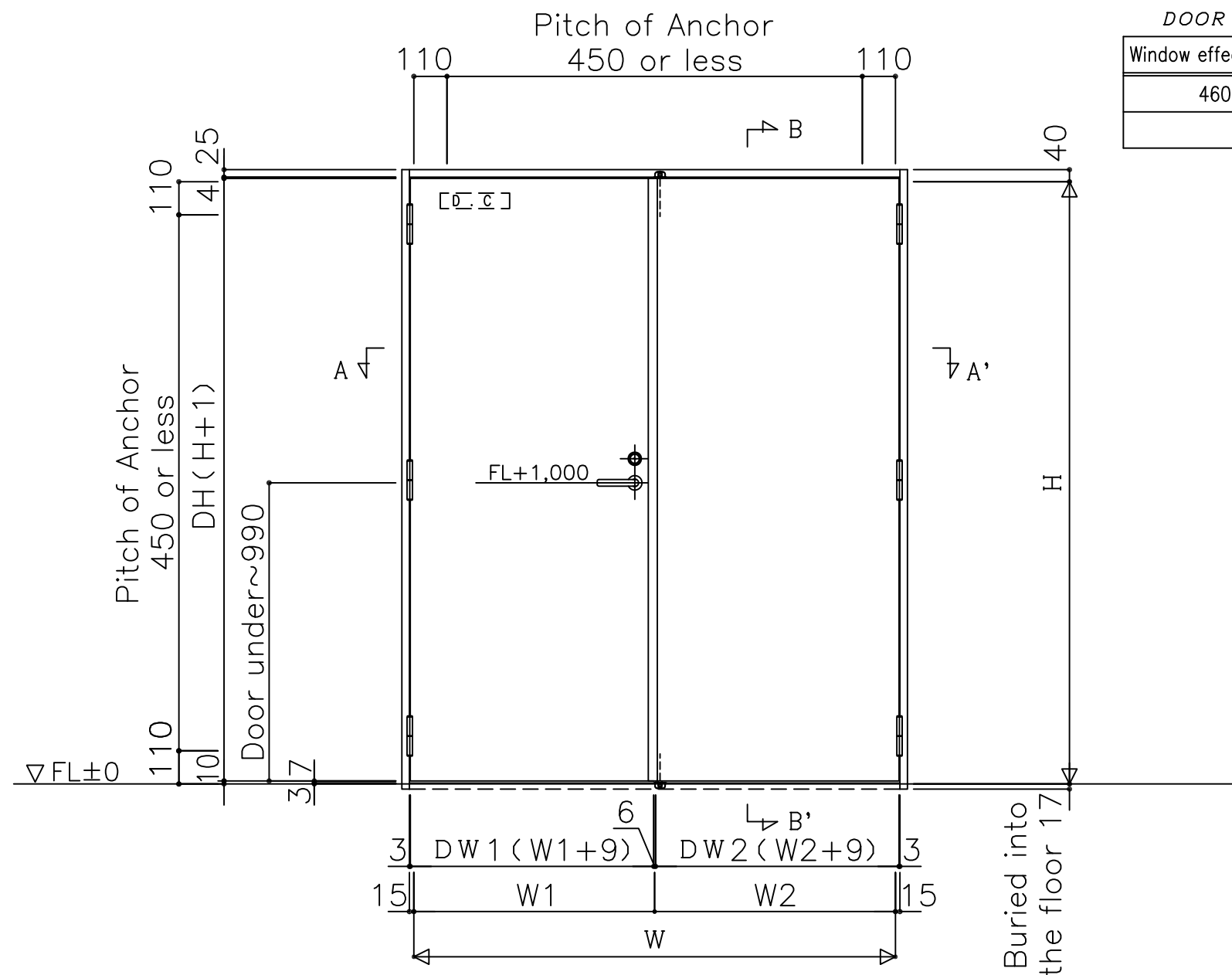
※ Uniflow will arrange the glass beads (glazing beads)
Compatible 3, 4, 5, and 6.8 mm in glass thickness.
※ It means a profile sketch.
The size of louvers shows the outside size.



Detail Louver cross section



	Receipt	Project Title	drawing name		Checked by	Checked by	Drawn by	Scale	Reference No
			LSD Window, Louver Detail					1/2	-
									Page No
									Date



DOOR Manufacturable Range

Window effective aperture (W)	Window height (H)	Opening range W	Opening range H
460	600	$1500 \leq W \leq 2400$	$1900 \leq H \leq 2300$
No window		$1200 \leq W < 1500$	$1800 \leq H < 1900$

Sign	Quantity	Mounting location		
	-	~		
Type	Light steel door (Double door) LSD Flag hinge (Left) One-way			
Door	Surface material	Colored Steel Plate	Color: Ivory t=0.6mm	
	Core of the door	Paper Core	-	
	Window frame	-	The internal dimension:	
	Window Material	-	-	
Louvers	-	Usable dimension:		
Frame	Material	Steel	1.6t Rust Paint depth width of frame: -	
Door Sill	Material	SUS304	1.5t HL	
Manufacturer		Part number	Remarks	Quantity
Lever handle	MIWA	U9LA50-※ ST BS64	handle: 50 stainless steel HL	1
Door closer	RYOBI	S1002P	Wish stop Color: Silver	1
Flag hinge	-	anactment article	-	3
Flush bolt (up, down)	SHIBUTANI	DE-7Z	-	1
In response dropped (up)	SHIBUTANI	DB-67	-	1
In response dropped (down)	SHIBUTANI	DB-67	-	1
Frame with Toto rubber	-	anactment article	-	2
With floor Toto	-	anactment article	-	1

○	○	○	○	○	○	○	○	○	○
○	○	○	○	○	○	○	○	○	○
○	○	○	○	○	○	○	○	○	○
○	○	○	○	○	○	○	○	○	○
○	○	○	○	○	○	○	○	○	○

Receipt

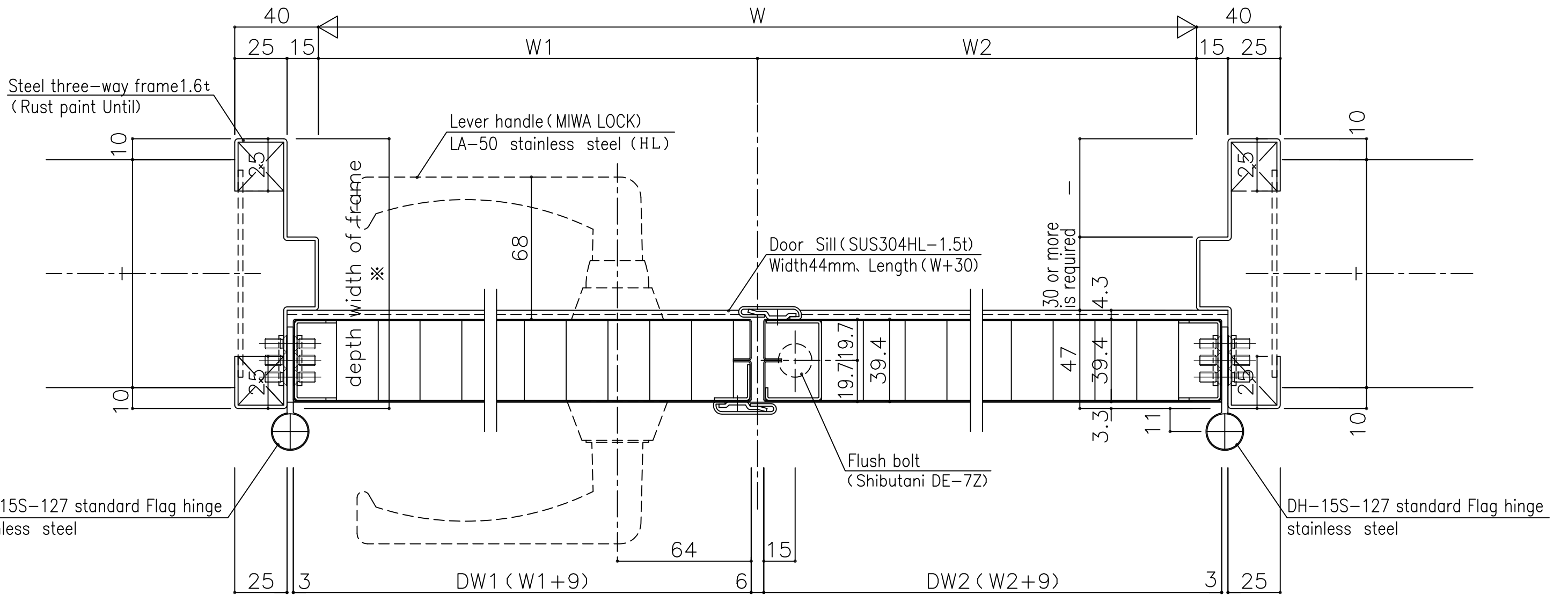
Project Title

drawing name
Light steel door (Double door)
(Split frame)
LSD Flag hinge (Left)
《Installation view》

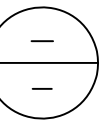


Checked by
Checked by
Drawn by

Scale 1/20
Reference No -
Page No 01
Date - - - -

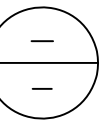
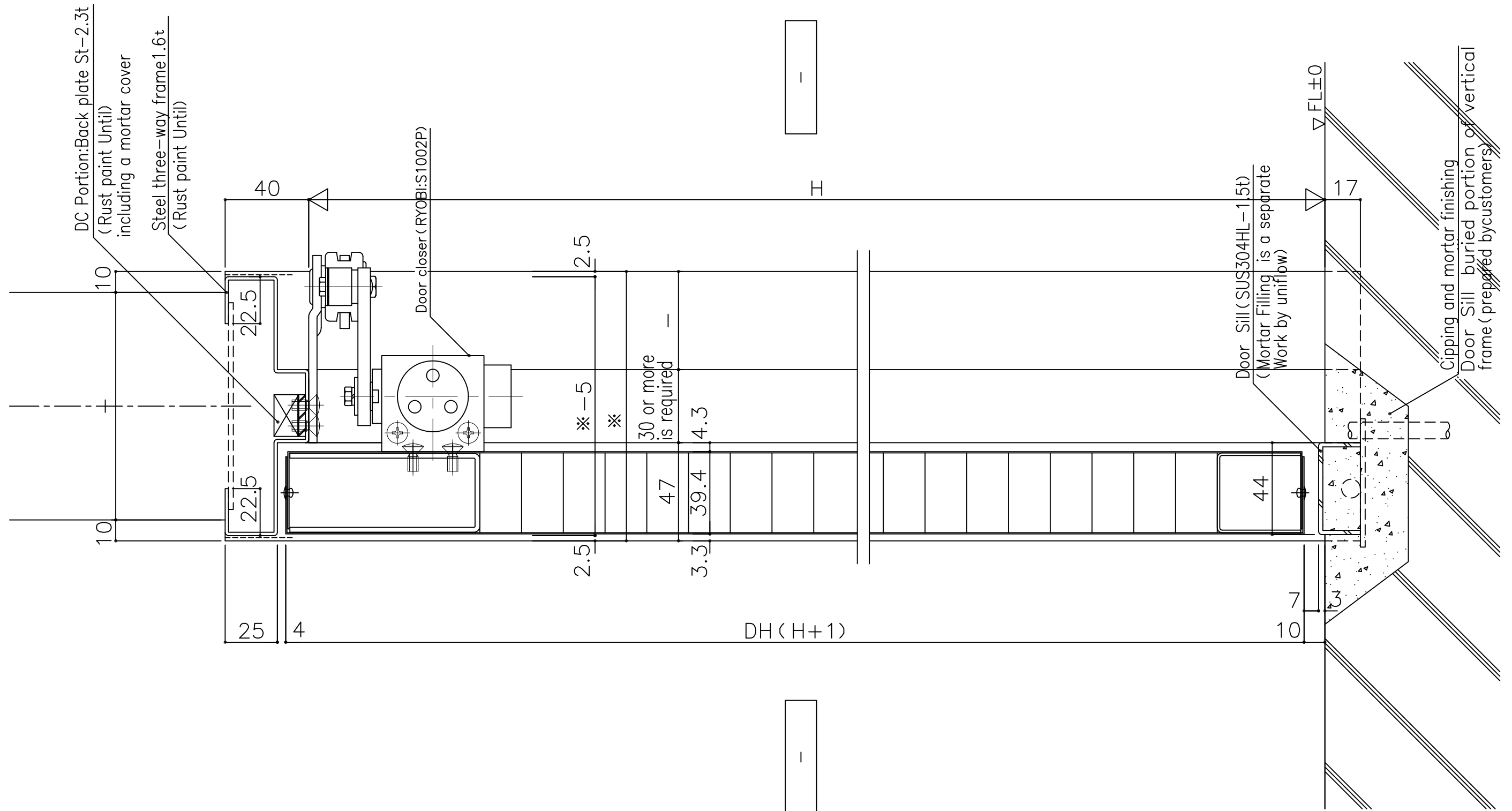


A-A' SECTION

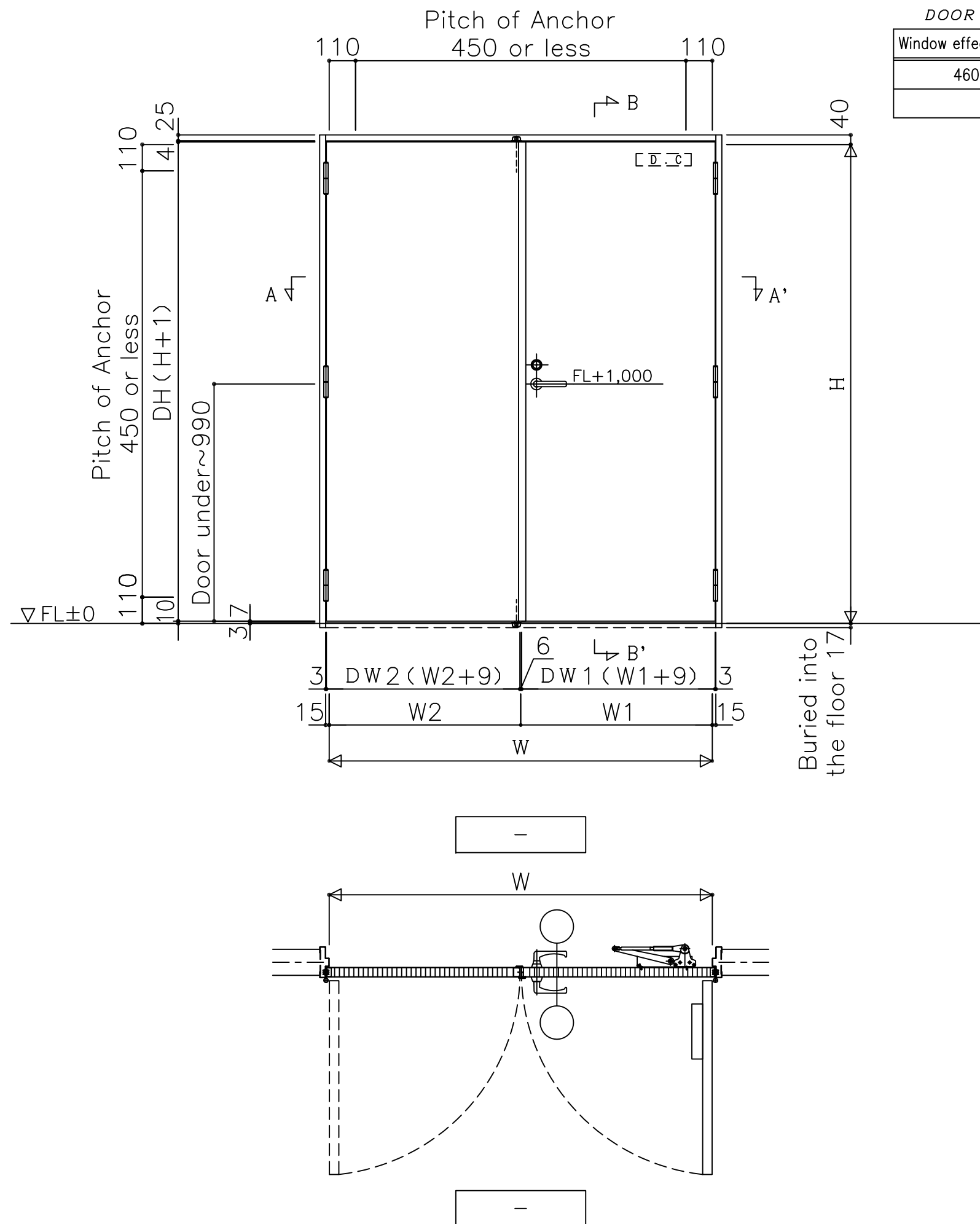


	- - - - -	Receipt	Project Title	drawing name		Checked by	Checked by	Drawn by	Scale	Reference No
	o o o o			Light steel door (Double door) (Split frame)			-	-	1/2	Page No 02
	o o o o			LSD Flag hinge (Left)					/	Date - - - - -
	o o o o			◀ Horizontal cross section ▶						

B-B' SECTION



	Receipt	Project Title	drawing name		Checked by	Checked by	Drawn by	Scale	Reference No
			Light steel door (Double door) (Split frame)					1/2	-
			LSD Flag hinge (Left)					/	Page No 03
			Vertical cross section					Date - . - . -	



DOOR Manufacturable Range

Window effective aperture (W)	Window height (H)	Opening range W	Opening range H
460	600	1500 ≤ W ≤ 2400	1900 ≤ H ≤ 2300
No window		1200 ≤ W < 1500	1800 ≤ H < 1900

Sign	Quantity	Mounting location		
	-	~		
Type	Light steel door (Double door) LSD Flag hinge (Right) One-way			
Door	Surface material	Colored Steel Plate	Color: Ivory t=0.6mm	
	Core of the door	Paper Core	-	
	Window frame	-	The internal dimension:	
	Window Material	-	-	
Louvers	-	Usable dimension:		
Frame	Material	Steel	1.6t Rust Paint depth width of frame: -	
Door Sill	Material	SUS304	1.5t HL	
Manufacturer		Part number	Remarks	Quantity
Lever handle	MIWA	U9LA50-※ ST BS64	handle: 50 stainless steel HL	1
Door closer	RYOBI	S1002P	Wish stop Color: Silver	1
Flag hinge	-	anactment article	-	3
Flush bolt (up, down)	SHIBUTANI	DE-7Z	-	1
In response dropped (up)	SHIBUTANI	DB-67	-	1
In response dropped (down)	SHIBUTANI	DB-67	-	1
Frame with Toto rubber	-	anactment article	-	2
With floor Toto	-	anactment article	-	1

○	○	○	○	○	○	○	○	○	○
○	○	○	○	○	○	○	○	○	○
○	○	○	○	○	○	○	○	○	○
○	○	○	○	○	○	○	○	○	○

Receipt

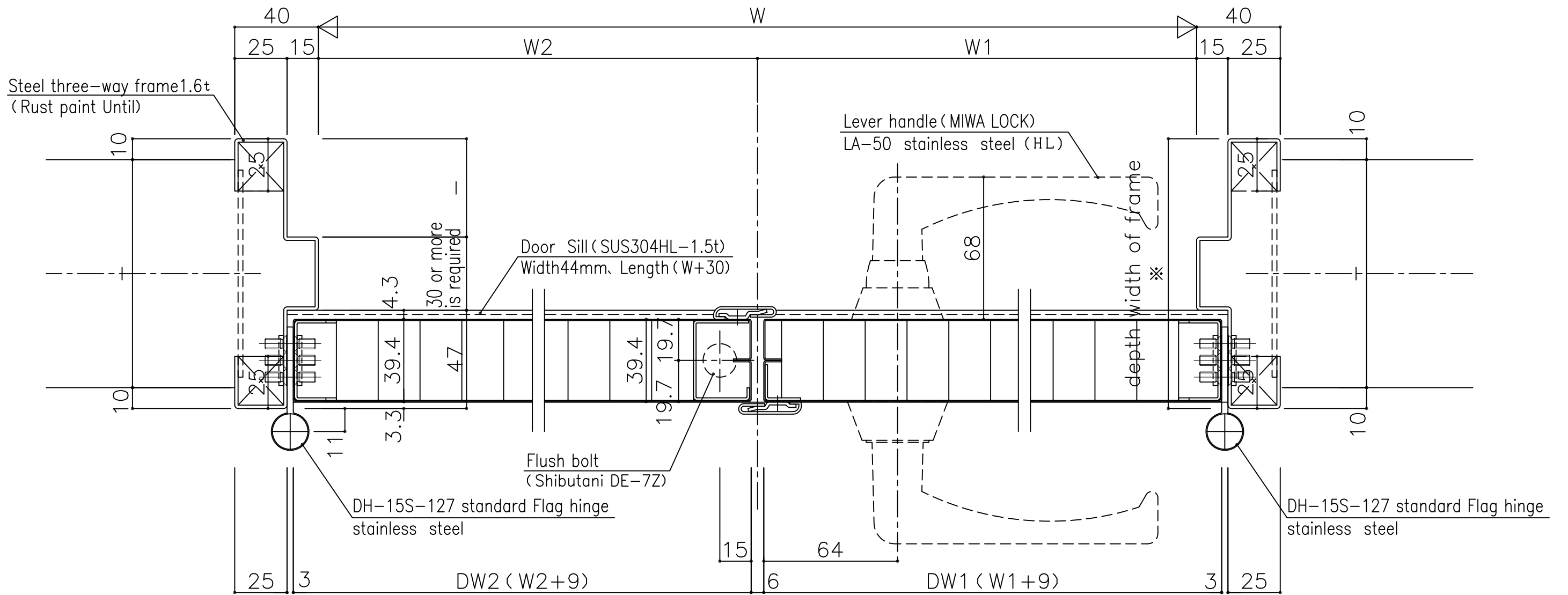
Project Taitle

drawing name
Light steel door (Double door)
(Split frame)
LSD Flag hinge (Right)
◀ Installation view ▶

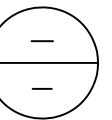


Checked by

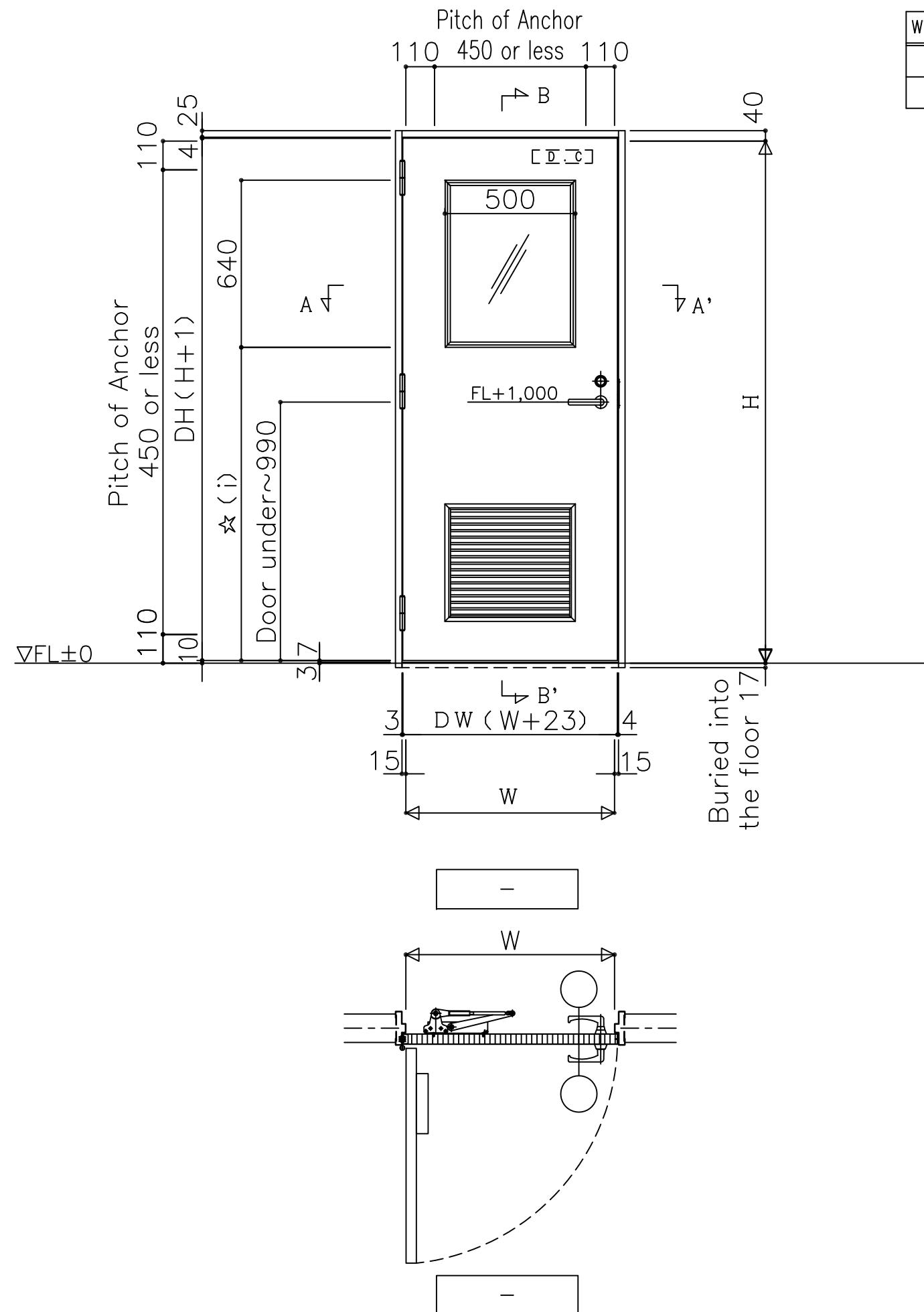
Scale 1/20
Reference No -
Page No 01
Date - - - -



A-A' SECTION



30-000000 00-000000 00-000000 00-000000 00-000000	Receipt	Project Title	drawing name	UNIFLOW	Checked by	Checked by	Drawn by	Scale	Reference No
			Light steel door (Double door) (Split frame)					1/2	-
			LSD Flag hinge (Right)					/	Page No 02
			◀ Horizontal cross section ▶						Date - - - -



DOOR Manufacturable Range

Window effective aperture (W)	Window height (H)	Opening range W	Opening range H
460	600	$750 \leq W \leq 1200$	$1900 \leq H \leq 2300$
No window		$600 \leq W < 750$	$1800 \leq H < 1900$

☆ (i) dimension is 1800 ≤ H < 2000 case: door under ~ 1100,
2000 ≤ H ≤ 2300 case: door under ~ 1200.

With Window, Louver

Sign	Quantity	Mounting location		
	-	~		
Type	Light steel door (Single door) LSD Flag hinge (Left) One-way			
Door	Surface material	Colored Steel Plate	Color: Ivory t=0.6mm	
	Core of the door	Paper Core	-	
	Window frame	Aluminium	Silver The internal dimension: 460x600	
	Window Material	-	-	
	Louvers	Aluminium	Silver Usable dimension:	
Frame	Material	Steel	1.6t Rust Paint depth width of frame: -	
Door Sill	Material	SUS304	1.5t HL	
Manufacturer		Part number	Remarks	Quantity
Lever handle	MIWA	U9LA50-※ ST BS64	handle: 50 stainless steel HL	1
Door closer	RYOBI	S1002P	Wish stop Color: Silver	1
Flag hinge	-	anactment article	-	3
Frame with Toto rubber	-	anactment article	-	2
With floor Toto	-	anactment article	-	1

○	○	○	○	○	○	○	○	○	○
○	○	○	○	○	○	○	○	○	○
○	○	○	○	○	○	○	○	○	○
○	○	○	○	○	○	○	○	○	○

Receipt

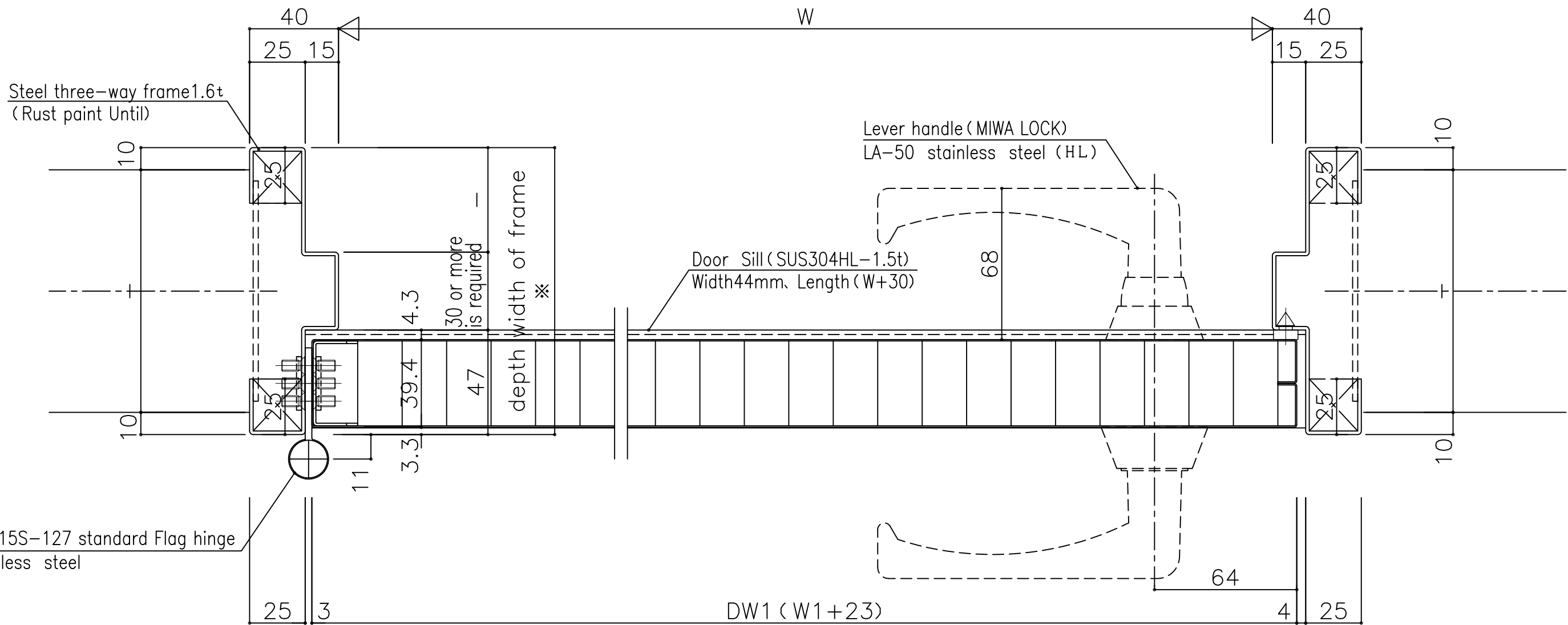
Project Title

drawing name
Light steel door (Single door)
(Split frame)
LSD Flag hinge (Left)
《Installation view》

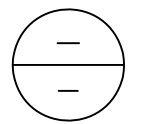


Checked by
Checked by
Drawn by

Scale 1/20
Reference No -
Page No 01
Date - - - -

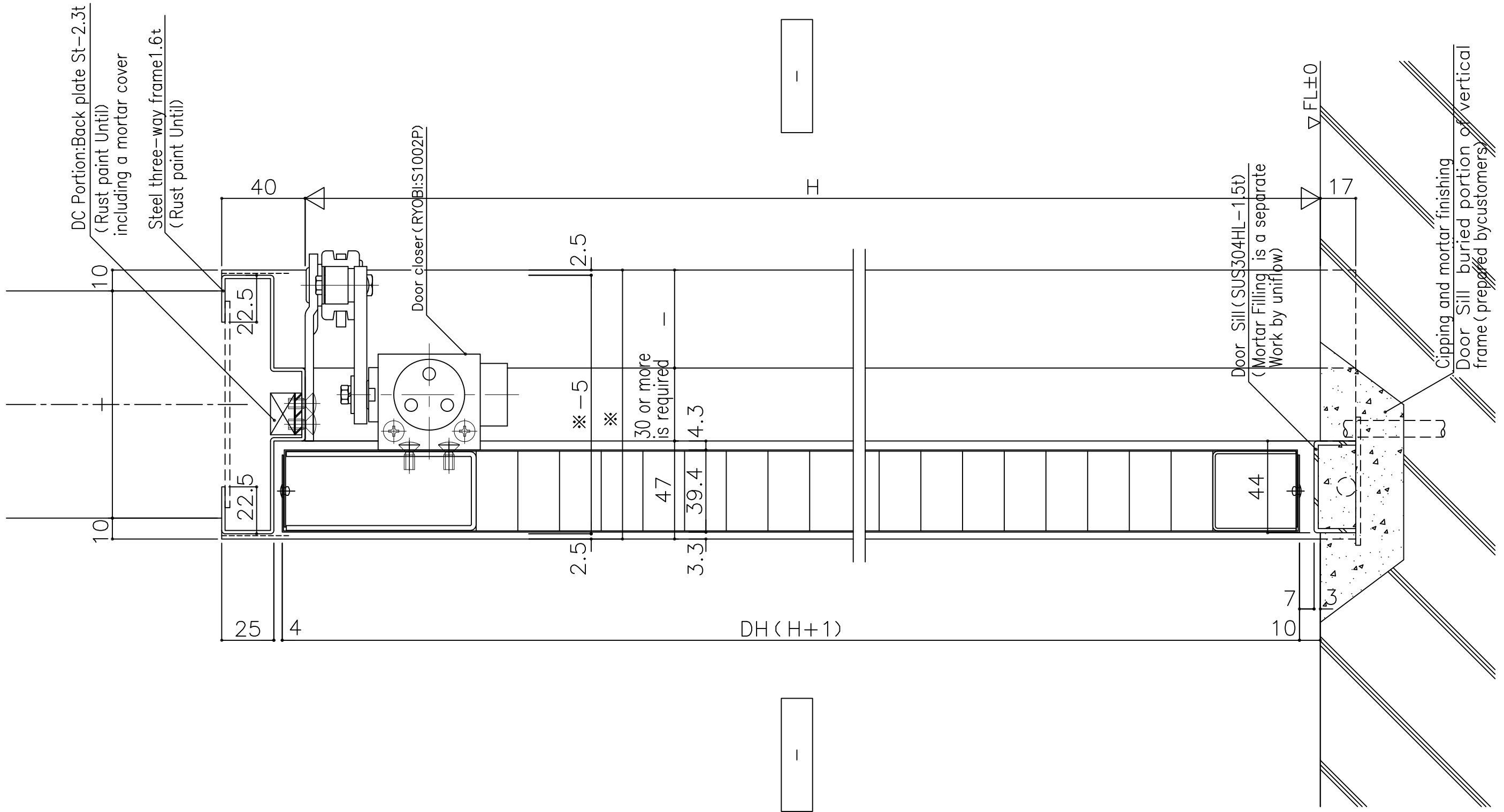


A-A' SECTION



	- - - - -	Receipt	Project Title	drawing name		Checked by	Checked by	Drawn by	Scale	Reference No
	o o			Light steel door (Single door)					1/2	-
	o o			(Split frame)					/	Page No
	o o			LSD Flag hinge (Left)						02
o o				« Horizontal cross section »					Date	- - - - -

B-B' SECTION



30	—	○	○	○	○	—
20	○	○	○	○	○	—
10	○	○	○	○	○	—
00	○	○	○	○	○	—

Receipt

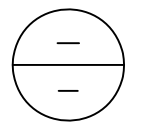
Project Title
—

drawing name
Light steel door (Single door)
(Split frame)
LSD Flag hinge (Left)
《Vertical cross section》



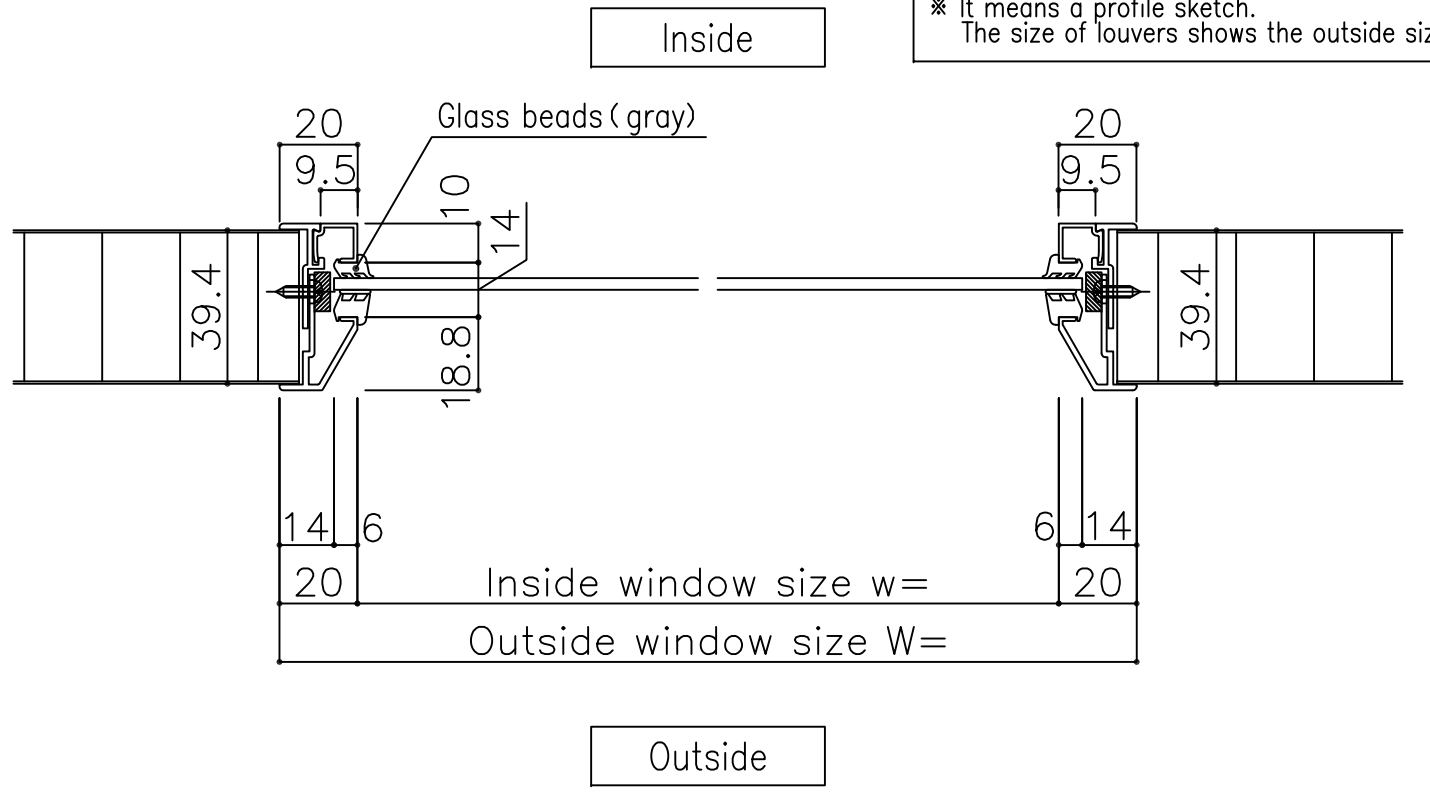
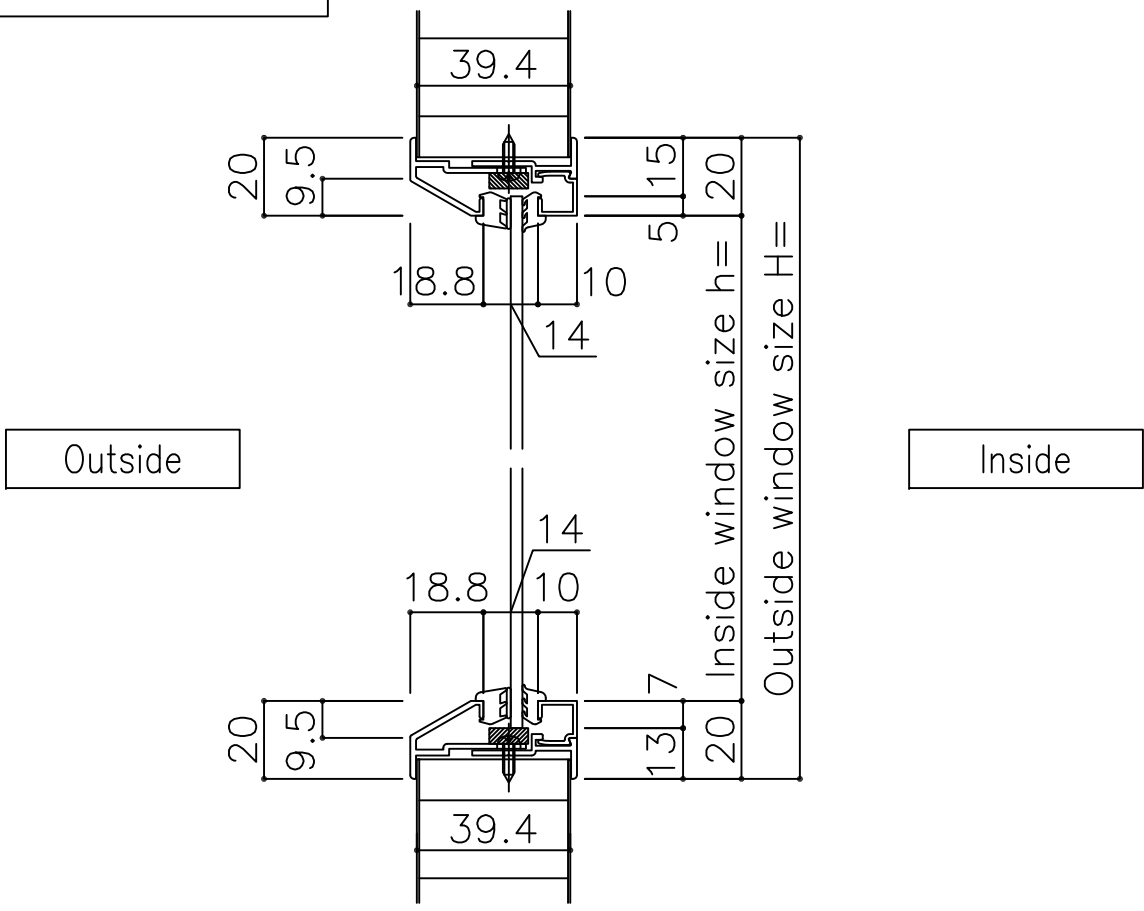
Checked by
Checked by
Drawn by

Scale
1/2
Reference No
Page No
Date

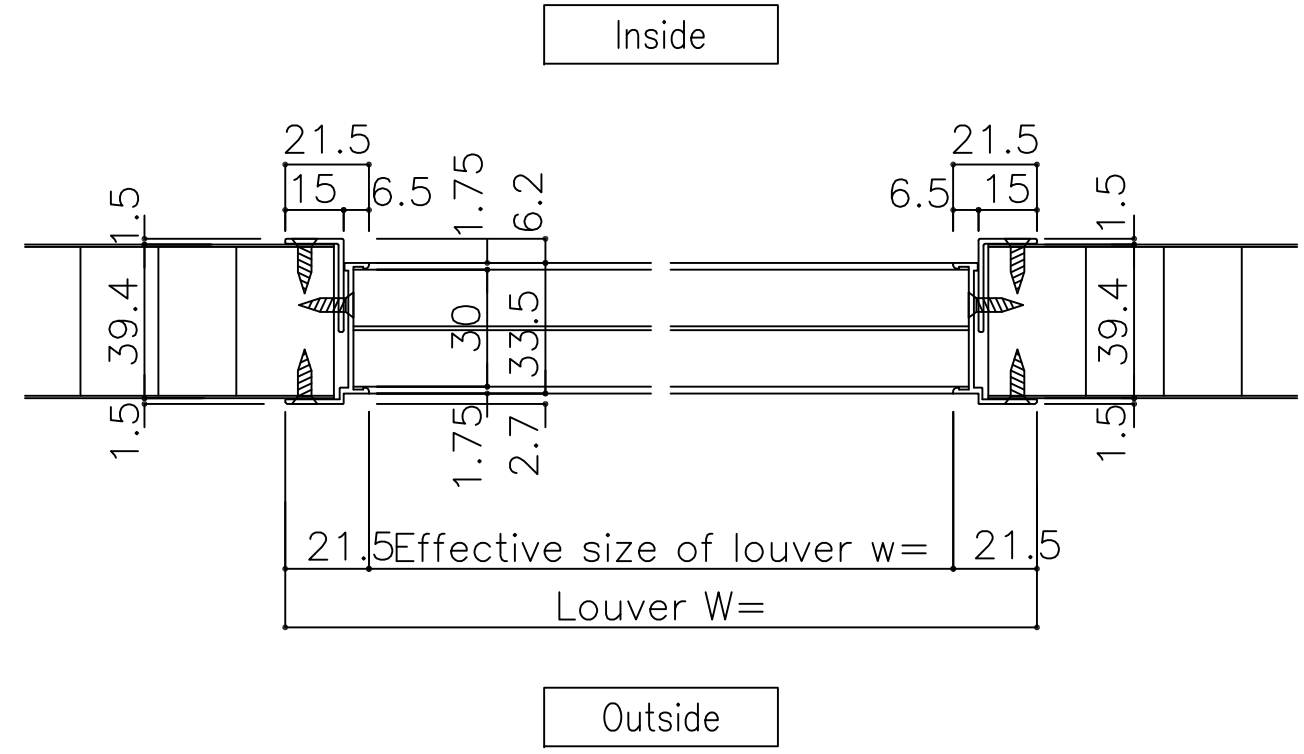
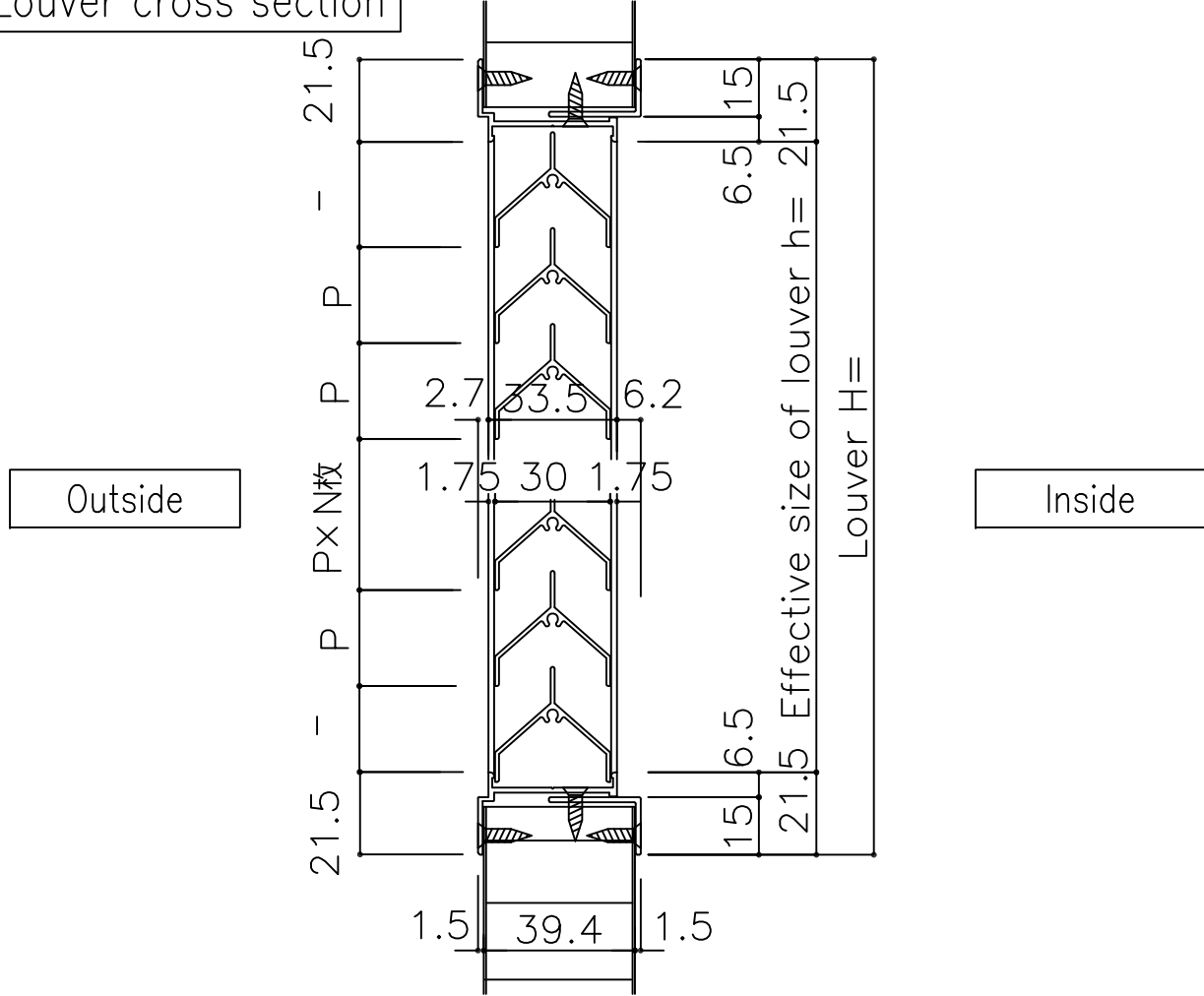


Detail Window cross section

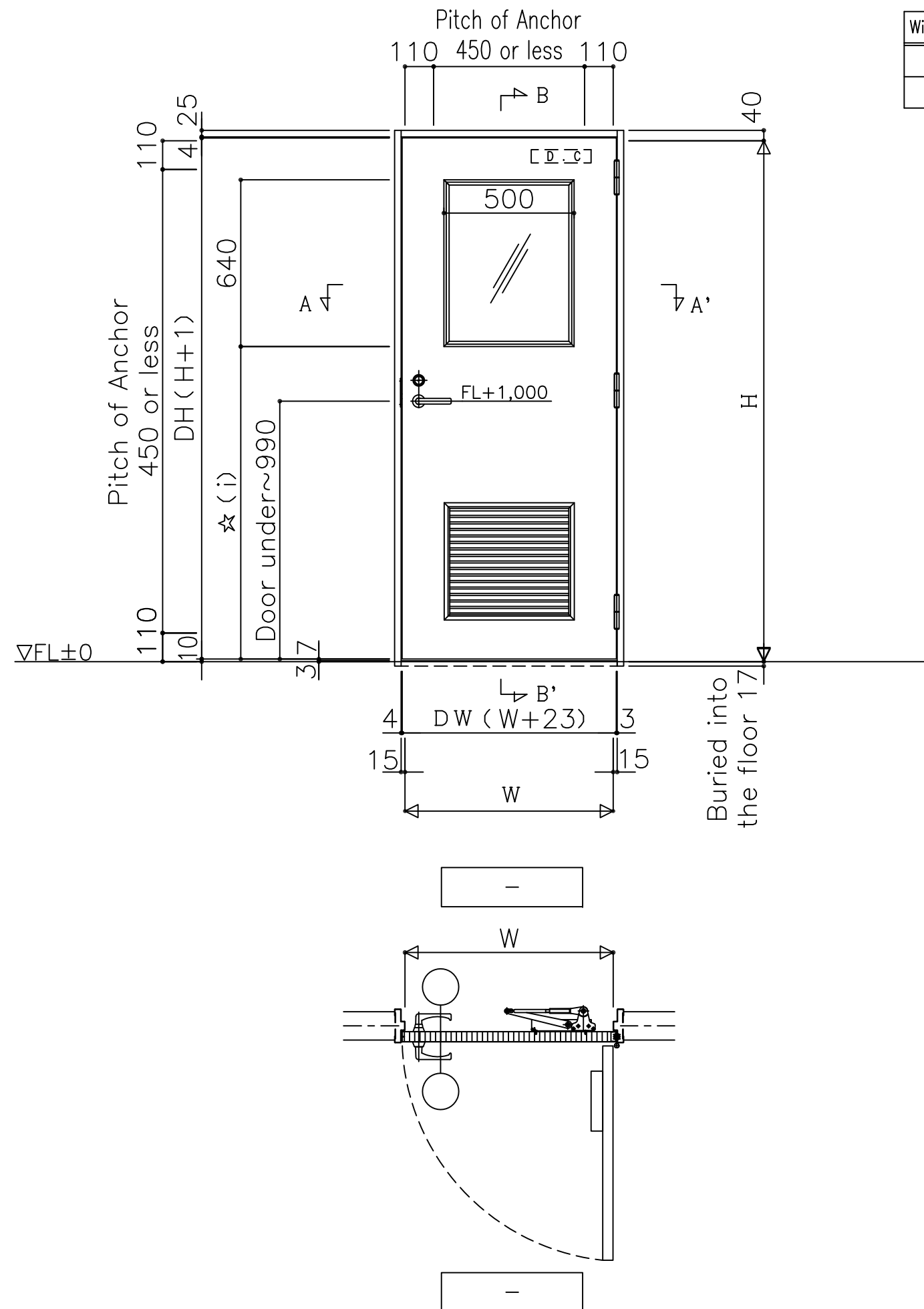
※ Uniflow will arrange the glass beads (glazing beads)
Compatible 3, 4, 5, and 6.8 mm in glass thickness.
※ It means a profile sketch.
The size of louvers shows the outside size.



Detail Louver cross section



	Receipt	Project Title	drawing name		Checked by	Checked by	Drawn by	Scale	Reference No
			LSD Window, Louver Detail					1/2	-
									Page No
									Date



DOOR Manufacturable Range

Window effective aperture (W)	Window height (H)	Opening range W	Opening range H
460	600	$750 \leq W \leq 1200$	$1900 \leq H \leq 2300$
No window		$600 \leq W < 750$	$1800 \leq H < 1900$

★ (i) dimension is 1800 ≤ H < 2000 case: door under ~ 1100,
2000 ≤ H ≤ 2300 case: door under ~ 1200.

With Window, Louver

Sign	Quantity	Mounting location		
	-	~		
Type	Light steel door (Single door) LSD Flag hinge (Right) One-way			
Door	Surface material	Colored Steel Plate	Color: Ivory t=0.6mm	
	Core of the door	Paper Core	-	
	Window frame	Aluminium	Silver The internal dimension: 460x600	
	Window Material	-	-	
	Louvers	Aluminium	Silver Usable dimension:	
Frame	Material	Steel	1.6t Rust Paint depth width of frame: -	
Door Sill	Material	SUS304	1.5t HL	
Manufacturer		Part number	Remarks	Quantity
Lever handle	MIWA	U9LA50-※ ST BS64	handle: 50 stainless steel HL	1
Door closer	RYOBI	S1002P	Wish stop Color: Silver	1
Flag hinge	-	anactment article	-	3
Frame with Toto rubber	-	anactment article	-	2
With floor Toto	-	anactment article	-	1

○	○	○	○	○	○	○	○	○	○
○	○	○	○	○	○	○	○	○	○
○	○	○	○	○	○	○	○	○	○
○	○	○	○	○	○	○	○	○	○

Receipt

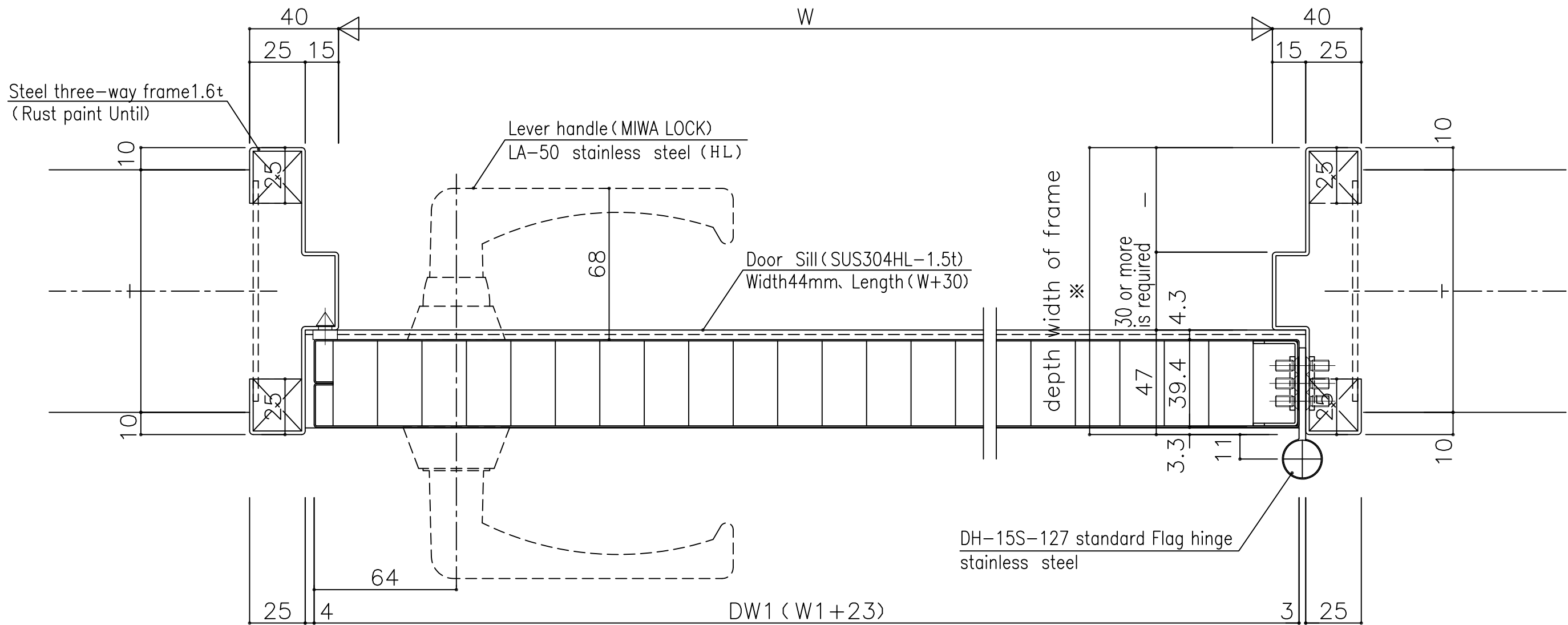
Project Title

drawing name
Light steel door (Single door)
(Split frame)
LSD Flag hinge (Right)
《Installation view》

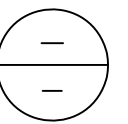


Checked by

Scale 1/20
Reference No -
Page No 01
Date - - - -

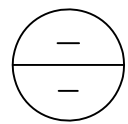
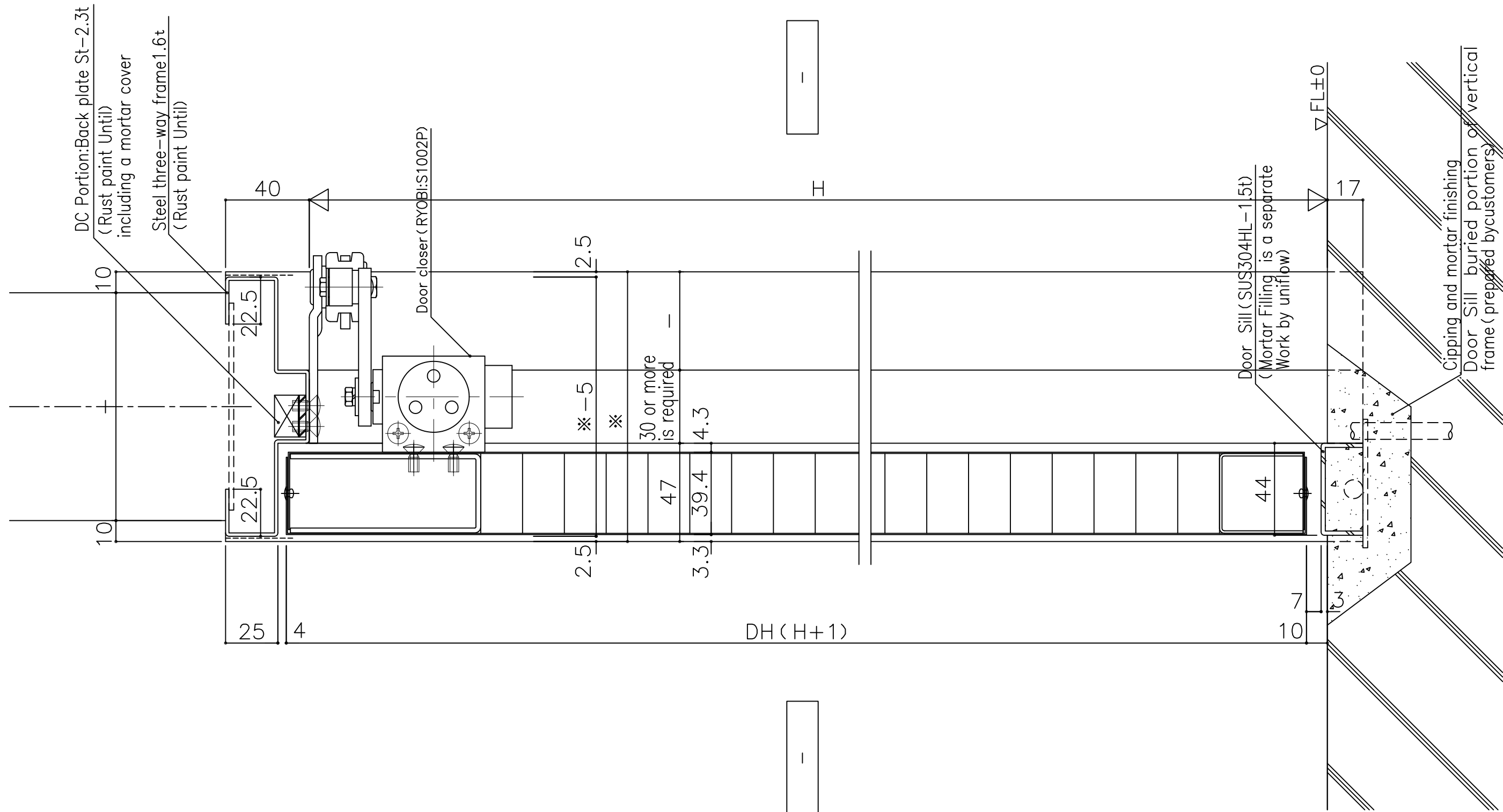


A-A' SECTION



	— ○ — ○ — —	Receipt	Project Title	drawing name Light steel door (Single door) (Split frame) LSD Flag hinge (Right) ◀ Horizontal cross section ▶		Checked by	Checked by	Drawn by	Scale 1/2	Reference No —
	○ ○									Page No 02
	○ ○									Date — ○ — ○ —
	○ ○									

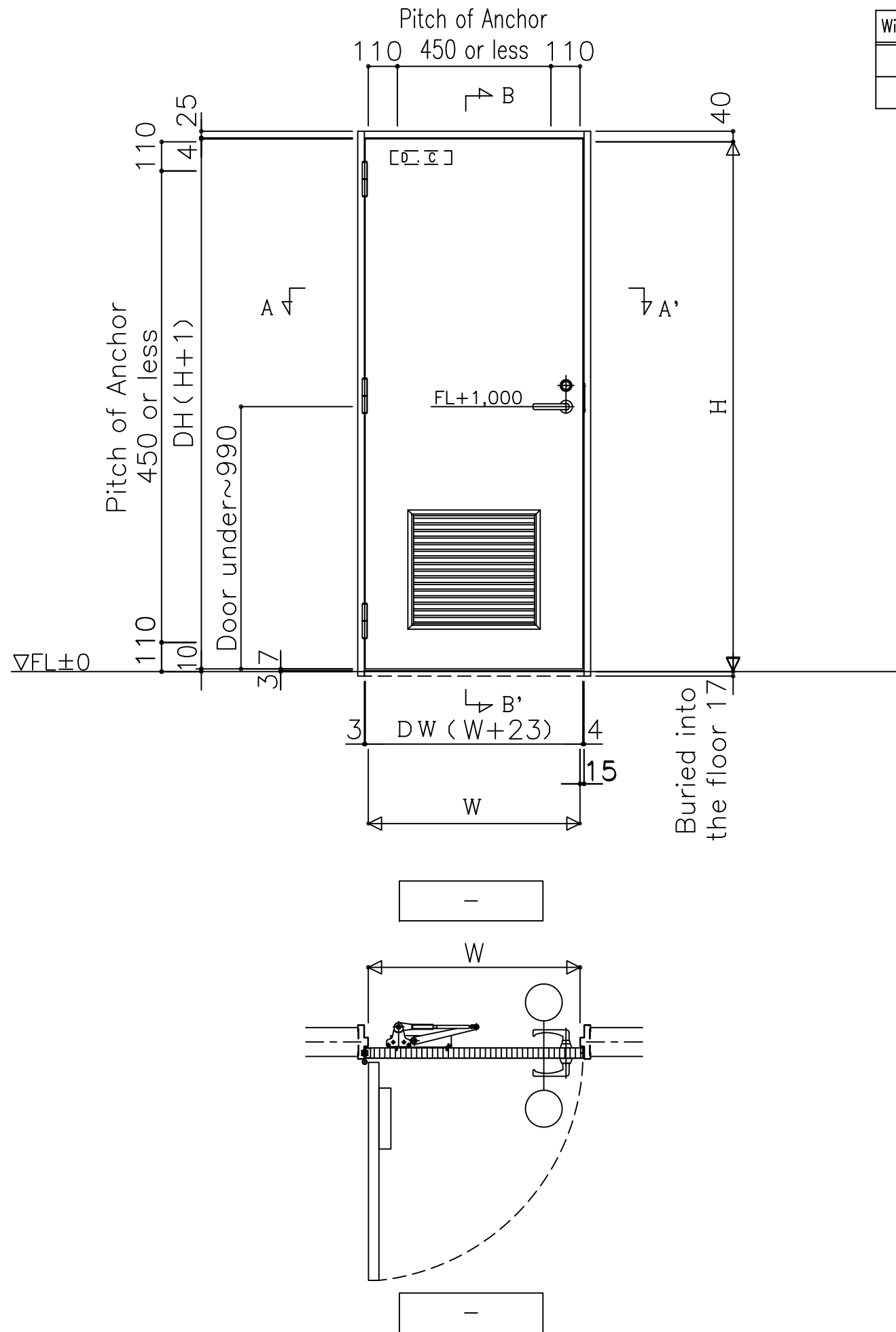
B-B' SECTION



30-000000 - - - - - .	Receipt	Project Title	drawing name	UNIFLOW	Checked by	Checked by	Drawn by	Scale	Reference No
			Light steel door (Single door) (Split frame)			-	-	1/2	-
			LSD Flag hinge (Right)					/	Page No
			《Vertical cross section》						Date

DOOR Manufacturable Range

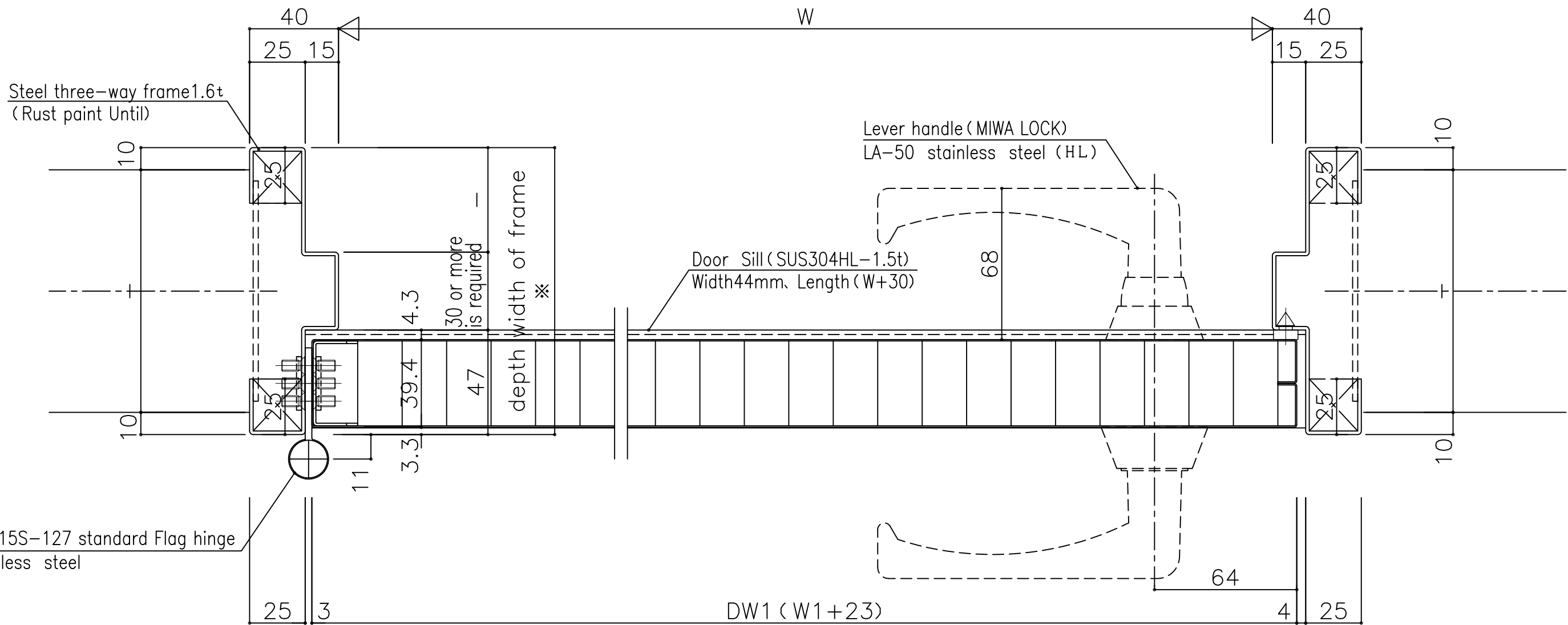
Window effective aperture (W)	Window height (H)	Opening range W	Opening range H
460	600	$750 \leq W \leq 1200$	$1900 \leq H \leq 2300$
No window		$600 \leq W < 750$	$1800 \leq H < 1900$



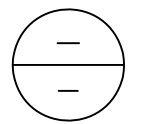
With Louver

Sign	Quantity	Mounting location		
	-	~		
Type	Light steel door (Single door) LSD Flag hinge (Left) One-way			
Door	Surface material	Colored Steel Plate	Color: Ivory t=0.6mm	
	Core of the door	Paper Core	-	
	Window frame	-	- The internal dimension:	
	Window Material	-	-	
	Louvers	Aluminium	Silver Usable dimension:	
Frame	Material	Steel	1.6t Rust Paint depth width of frame: -	
Door Sill	Material	SUS304	1.5t HL	
Manufacturer		Part number	Remarks	Quantity
Lever handle	MIWA	U9LA50-※ ST BS64	handle: 50 stainless steel HL	1
Door closer	RYOBI	S1002P	Wish stop Color: Silver	1
Flag hinge	-	anactment article	-	3
Frame with Toto rubber	-	anactment article	-	2
With floor Toto	-	anactment article	-	1

Receipt	Project Title
	-



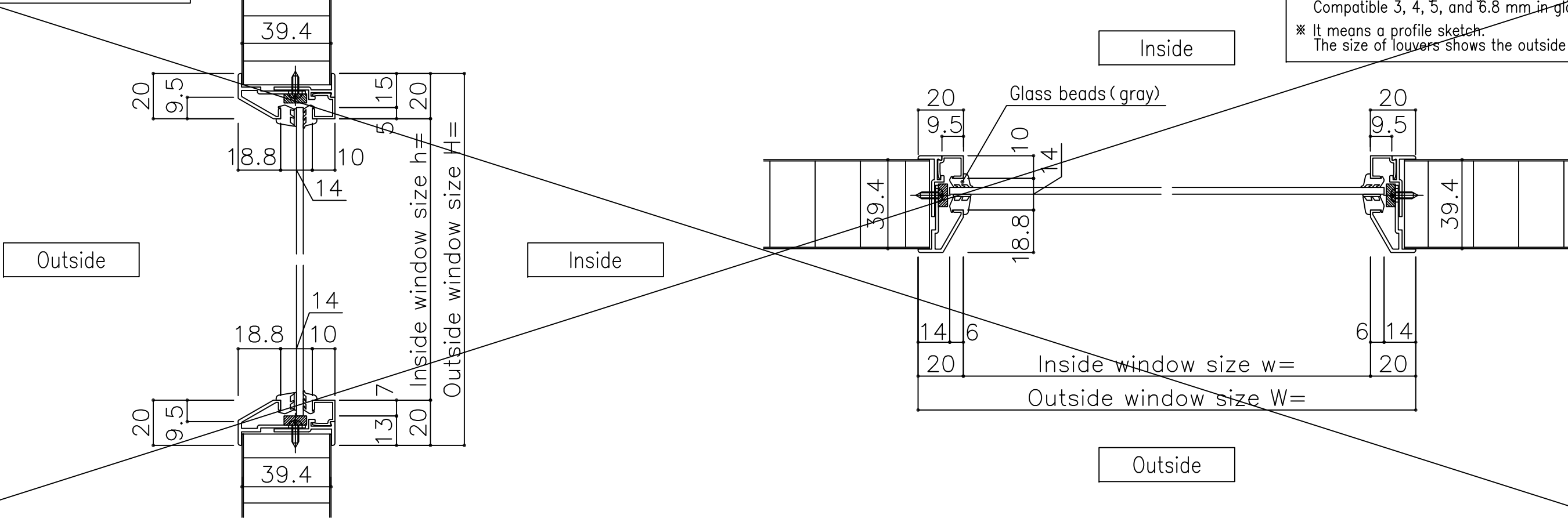
A-A' SECTION



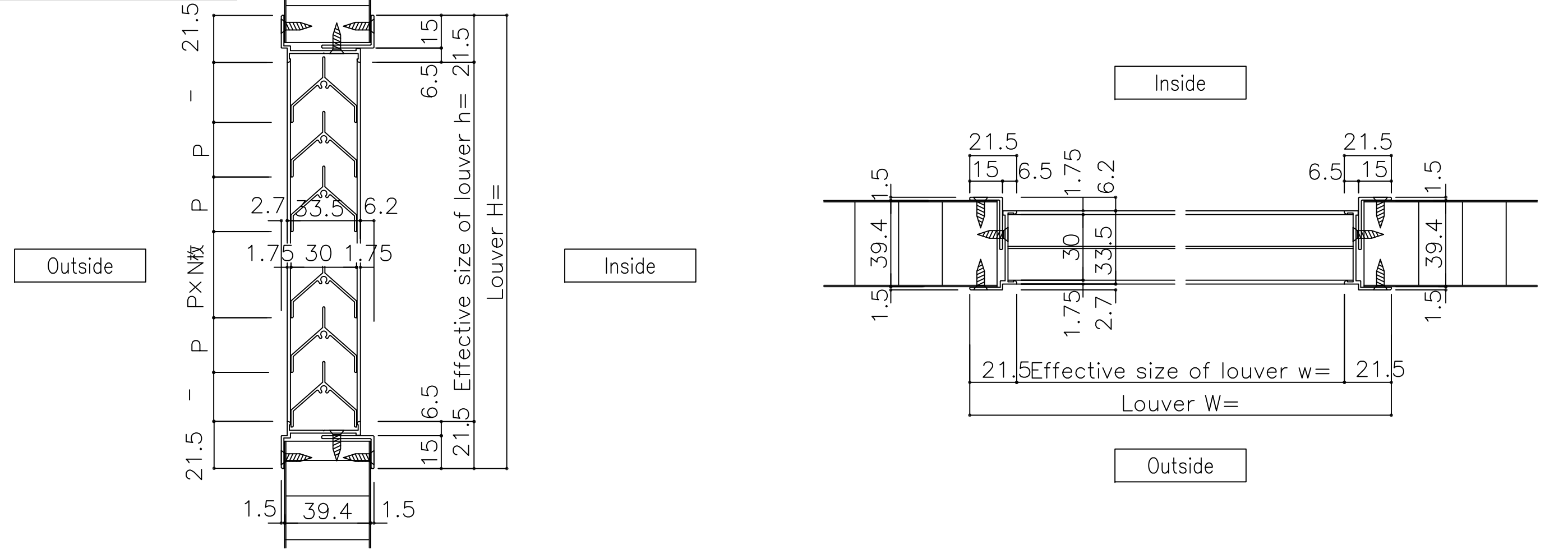
30-000000 00-000000 00-000000 00-000000 00-000000	Receipt	Project Title	drawing name	UNIFLOW	Checked by	Checked by	Drawn by	Scale	Reference No	
			Light steel door (Single door)					1/2	-	
			(Split frame)						Page No	02
			LSD Flag hinge (Left)						Date	- . - . -
		« Horizontal cross section »								

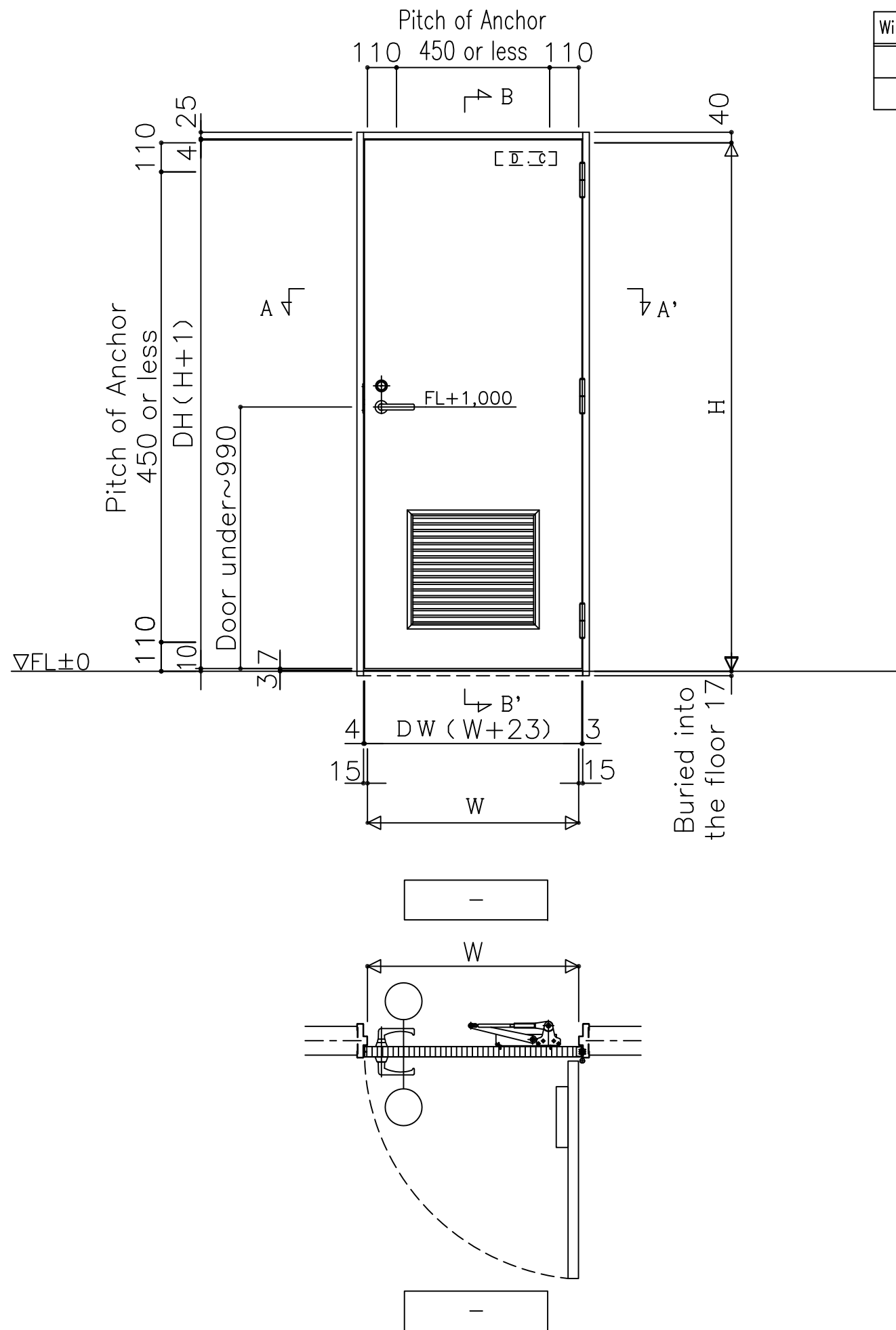
Detail Window cross section

※ Uniflow will arrange the glass beads (glazing beads)
Compatible 3, 4, 5, and 6.8 mm in glass thickness.
※ It means a profile sketch.
The size of louvers shows the outside size.



Detail Louver cross section





DOOR Manufacturable Range

Window effective aperture (W)	Window height (H)	Opening range W	Opening range H
460	600	$750 \leq W \leq 1200$	$1900 \leq H \leq 2300$
No window		$600 \leq W < 750$	$1800 \leq H < 1900$

With Louver

Sign	Quantity	Mounting location		
	-	~		
Type	Light steel door (Single door) LSD Flag hinge (Right) One-way			
Door	Surface material	Colored Steel Plate	Color: Ivory t=0.6mm	
	Core of the door	Paper Core	-	
	Window frame	-	- The internal dimension:	
	Window Material	-	-	
Louvers	Aluminium	Silver	Usable dimension:	
Frame	Material	Steel	1.6t Rust Paint depth width of frame: -	
Door Sill	Material	SUS304	1.5t HL	
Manufacturer		Part number	Remarks	Quantity
Lever handle	MIWA	U9LA50-※ ST BS64	handle: 50 stainless steel HL	1
Door closer	RYOBI	S1002P	Wish stop Color: Silver	1
Flag hinge	-	anactment article	-	3
Frame with Toto rubber	-	anactment article	-	2
With floor Toto	-	anactment article	-	1

00-000000	-
00-000000	-
00-000000	-
00-000000	-
00-000000	-

Receipt

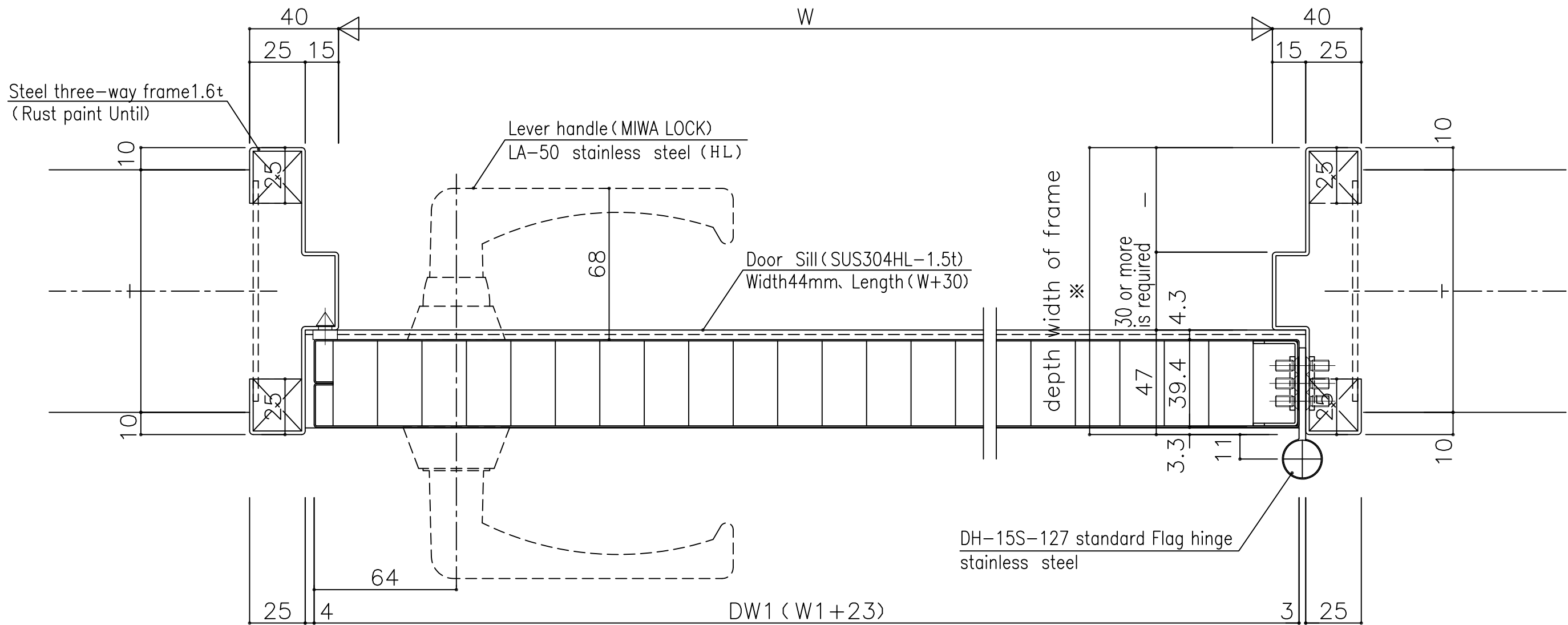
Project Title

drawing name
Light steel door (Single door)
(Split frame)
LSD Flag hinge (Right)
《Installation view》

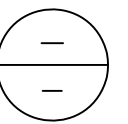


Checked by

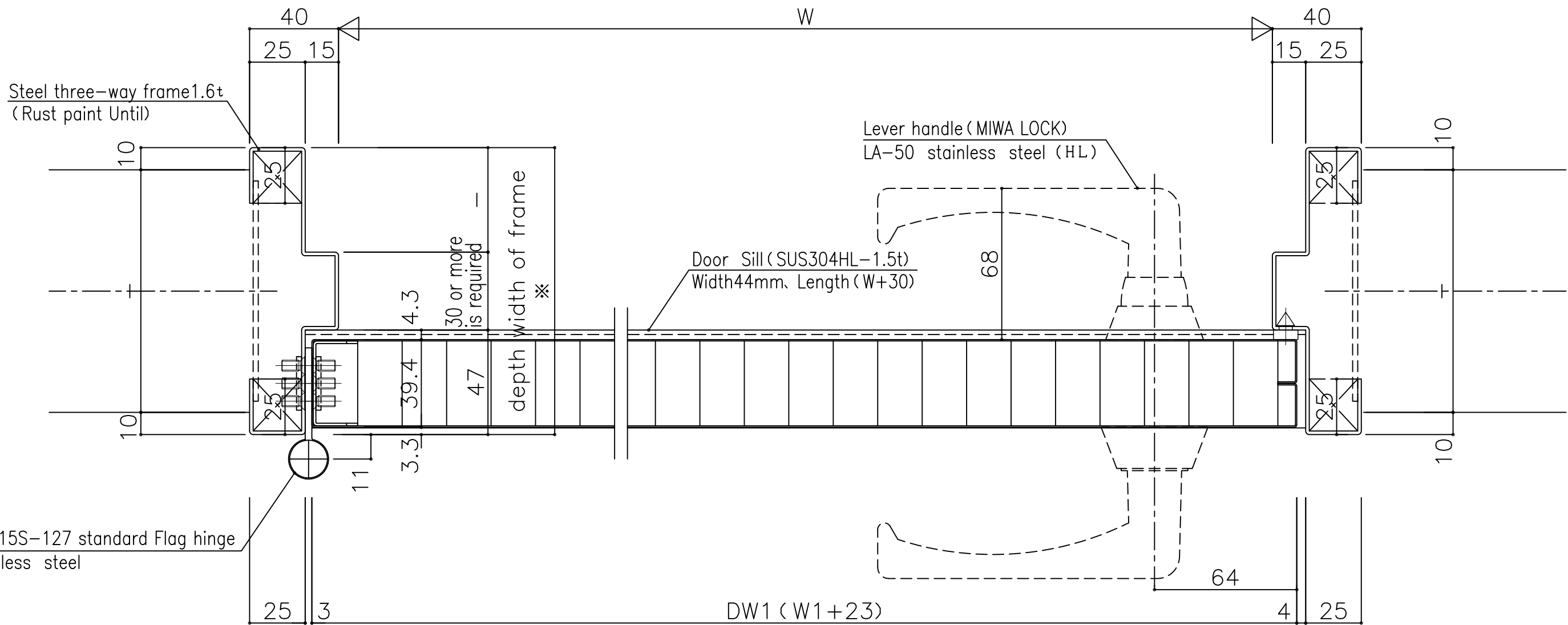
Scale 1/20
Reference No -
Page No 01
Date - - - -



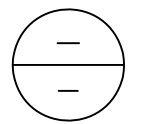
A-A' SECTION



	Receipt	Project Title	drawing name		Checked by	Checked by	Drawn by	Scale	Reference No
			Light steel door (Single door) (Split frame)					1/2	-
			LSD Flag hinge (Right)					/	Page No 02
			◀ Horizontal cross section ▶						Date - . - . -

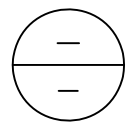
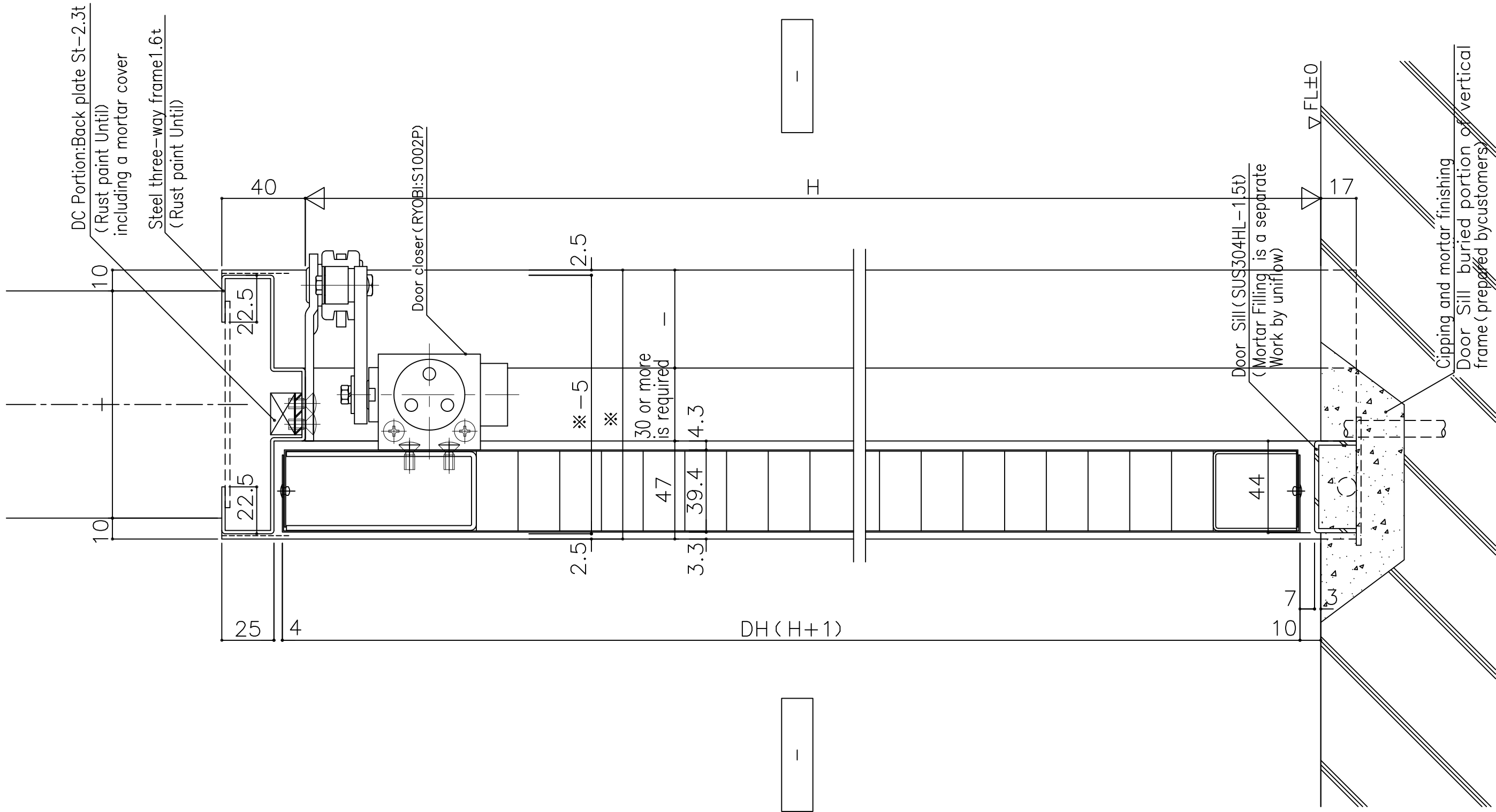


A-A' SECTION



30-000000 .	Receipt	Project Title	drawing name	UNIFLOW	Checked by	Checked by	Drawn by	Scale	Reference No	
			Light steel door (Single door)					1/2	-	
			(Split frame)						Page No	02
			LSD Flag hinge (Left)						Date	- . . . -
			« Horizontal cross section »							

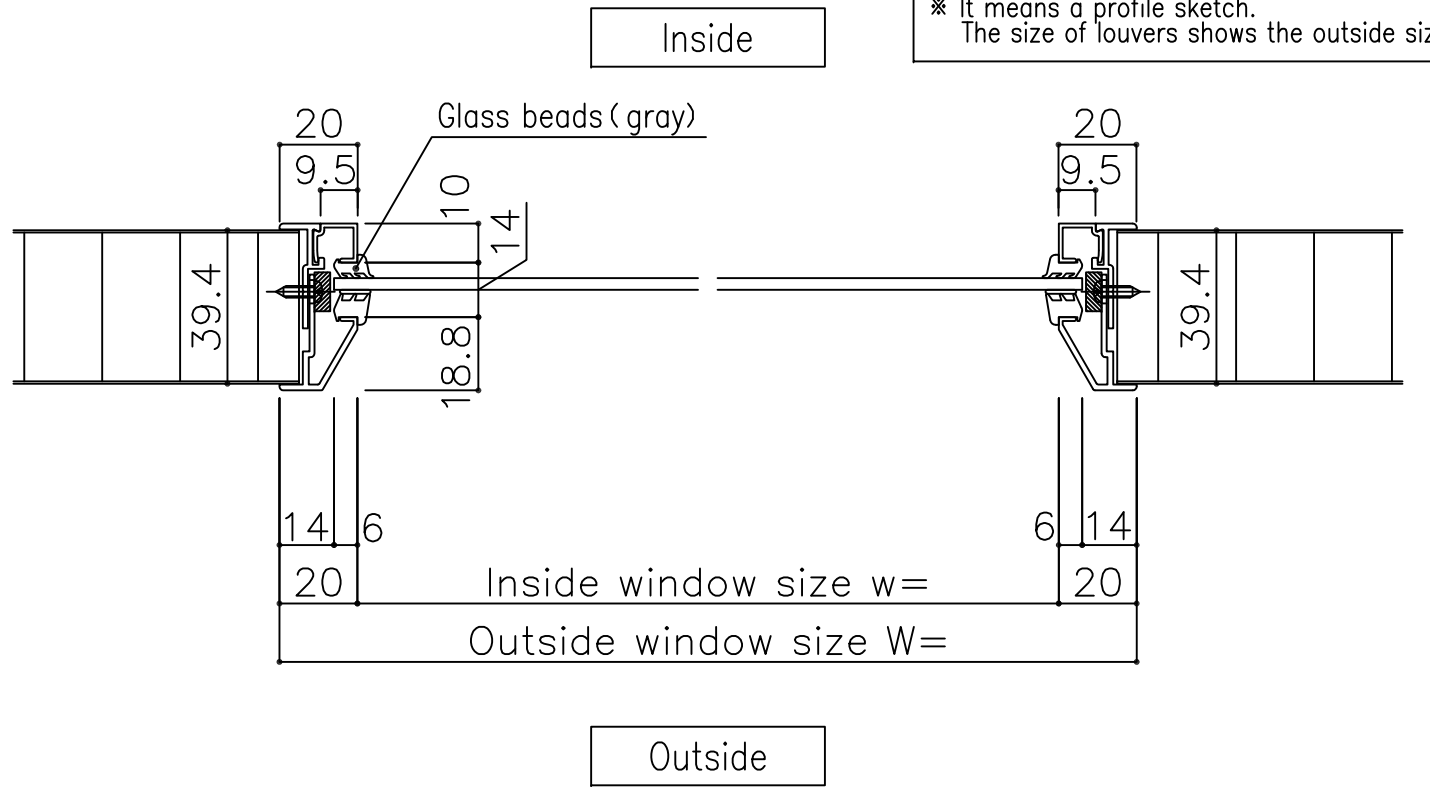
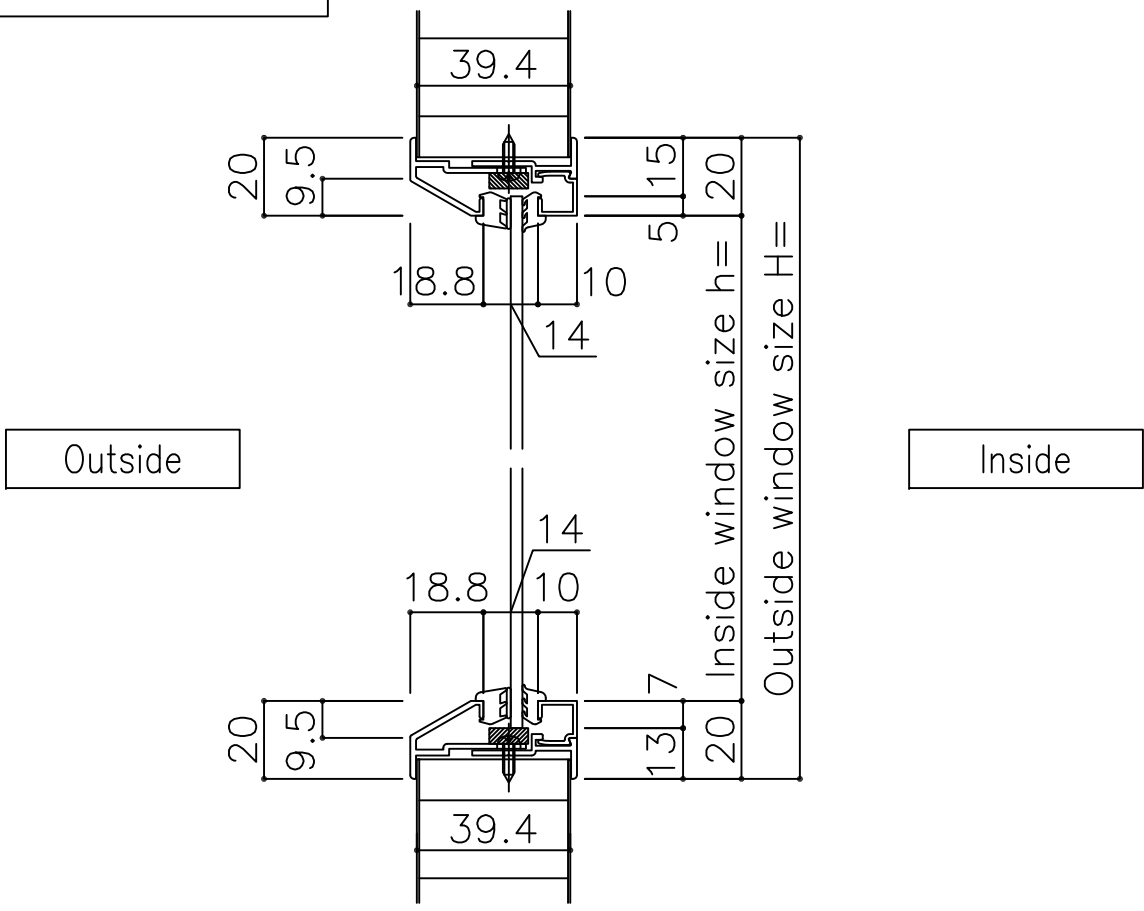
B-B' SECTION



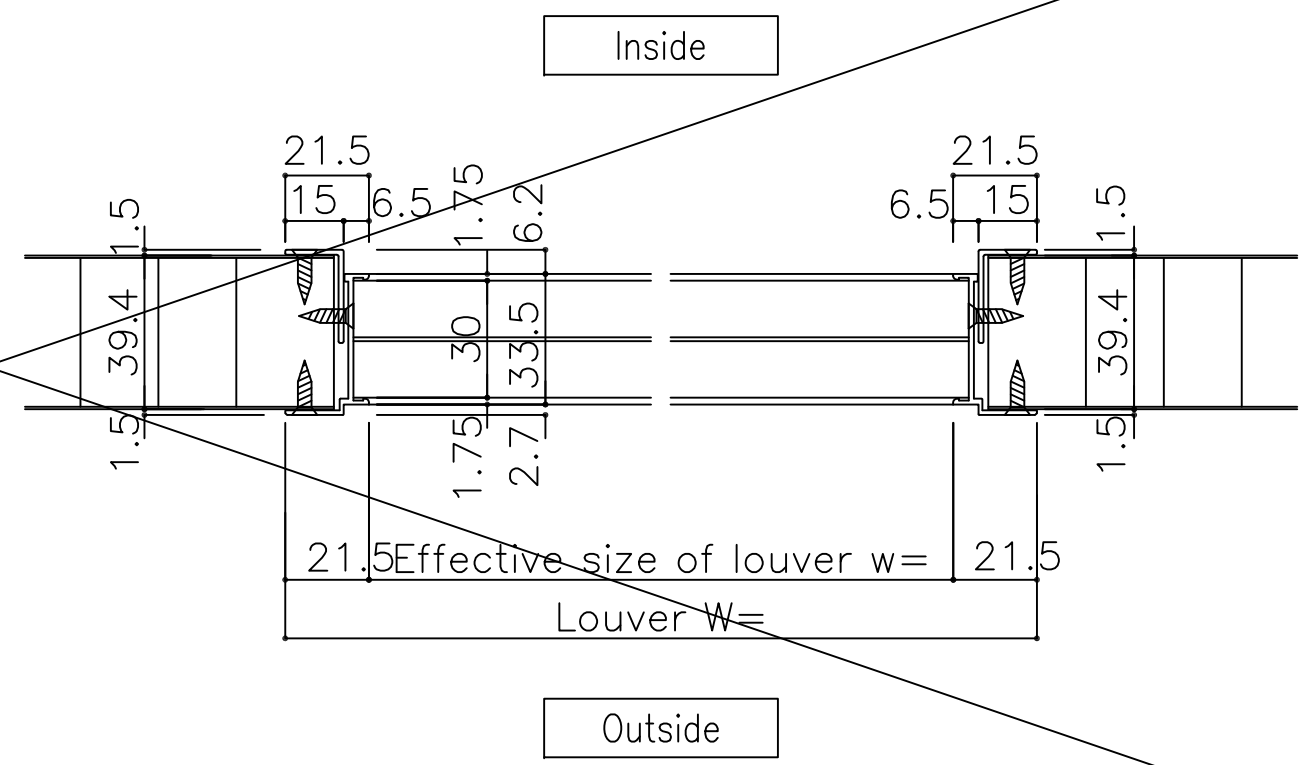
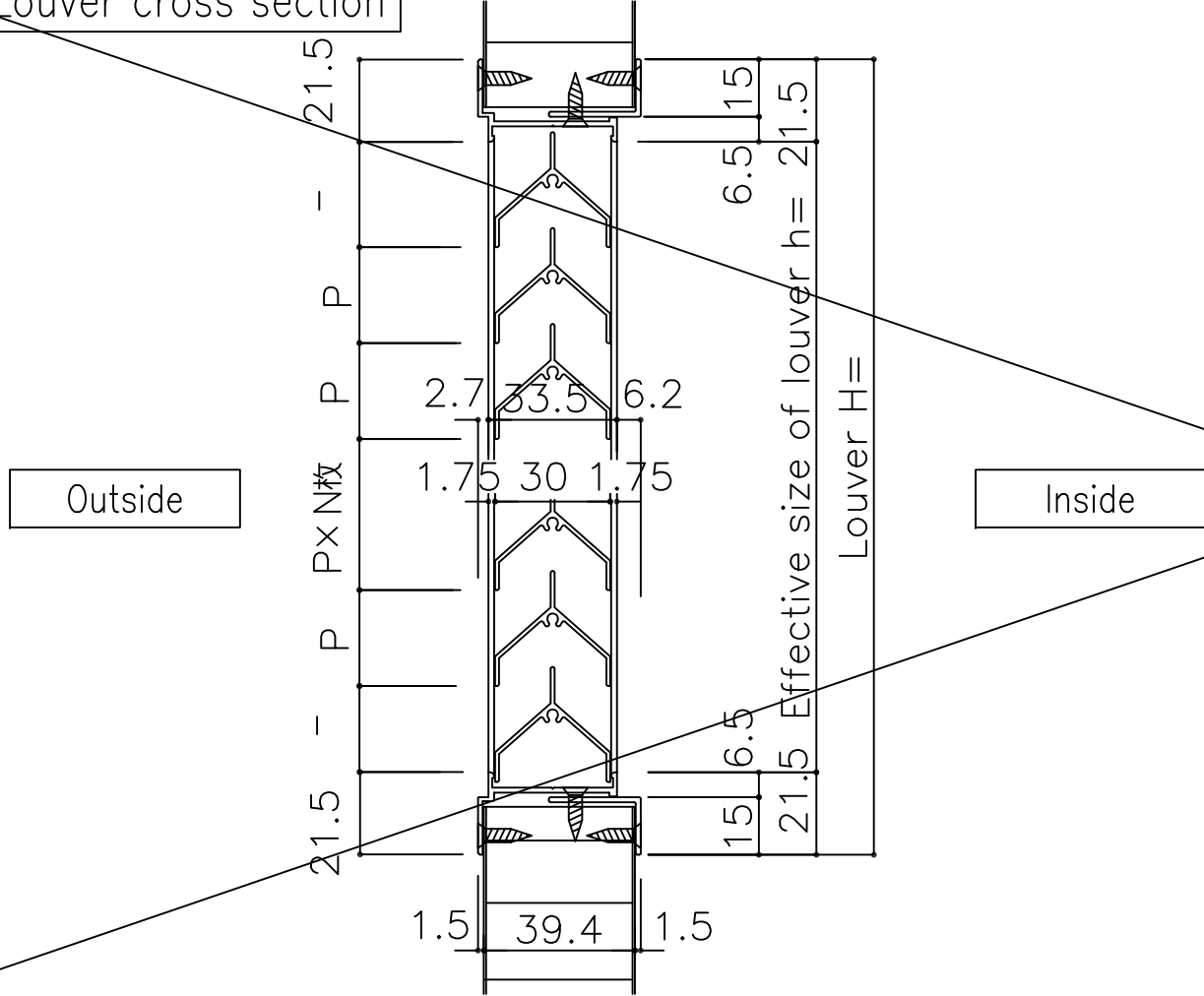
30-081100 - - - -	Receipt	Project Title	drawing name	UNIFLOW	Checked by	Checked by	Drawn by	Scale	Reference No
		-	Light steel door (Single door) (Split frame)		-	-	1/2	-	
			LSD Flag hinge (Left)				/	Page No	03
			◀ Vertical cross section ▶				Date	-	

Detail Window cross section

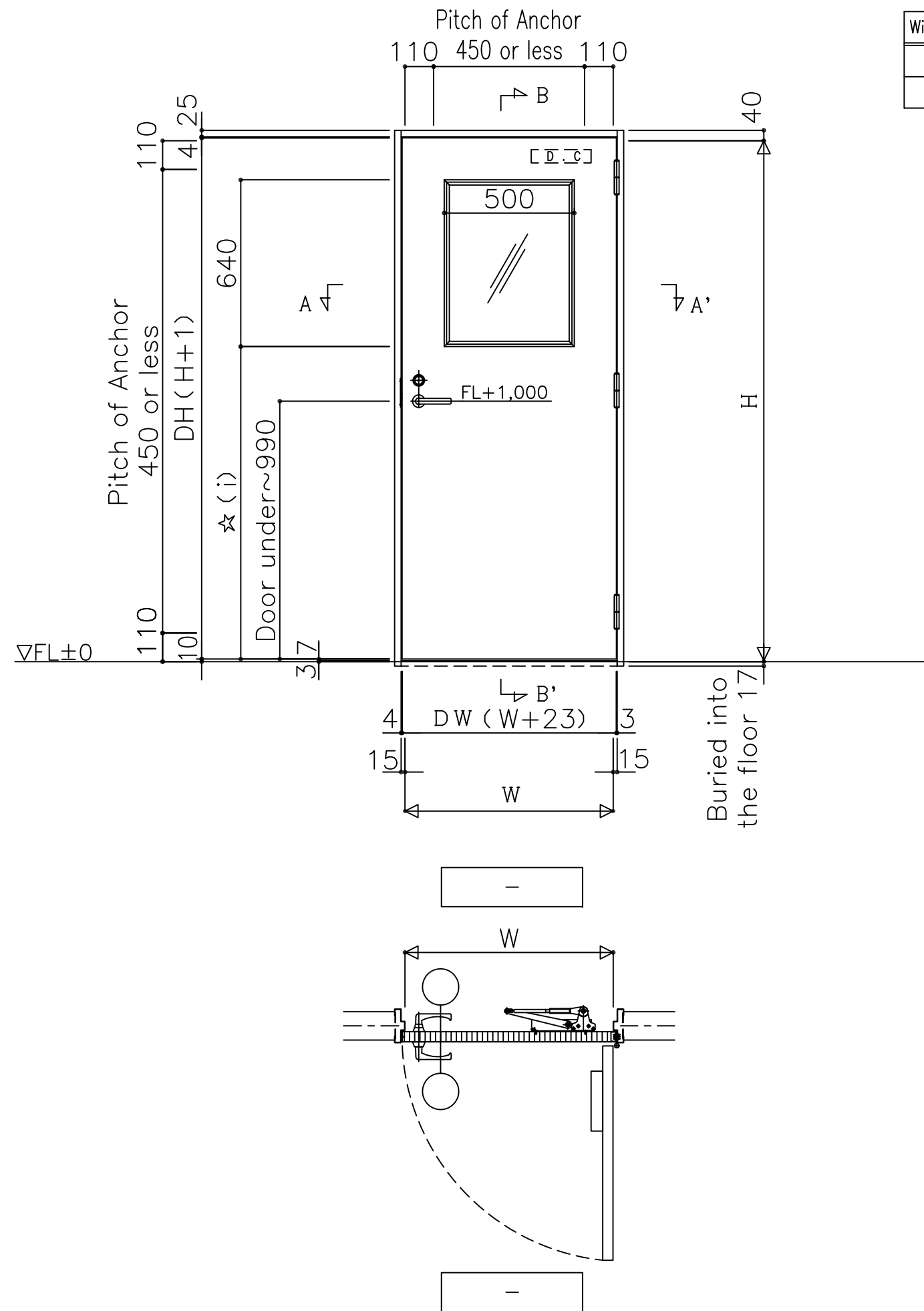
※ Uniflow will arrange the glass beads (glazing beads)
Compatible 3, 4, 5, and 6.8 mm in glass thickness.
※ It means a profile sketch.
The size of louvers shows the outside size.



Detail Louver cross section



	Receipt	Project Title	drawing name		Checked by	Checked by	Drawn by	Scale	Reference No
			LSD Window, Louver Detail					1/2	Detail-01
									Date



DOOR Manufacturable Range

Window effective aperture (W)	Window height (H)	Opening range W	Opening range H
460	600	$750 \leq W \leq 1200$	$1900 \leq H \leq 2300$
No window		$600 \leq W < 750$	$1800 \leq H < 1900$

☆ (i) dimension is 1800 ≤ H < 2000 case: door under ~ 1100,
2000 ≤ H ≤ 2300 case: door under ~ 1200.

With Window

Sign	Quantity	Mounting location		
	-	~		
Type	Light steel door (Single door) LSD Flag hinge (Right) One-way			
Door	Surface material	Colored Steel Plate	Color: Ivory t=0.6mm	
	Core of the door	Paper Core	-	
	Window frame	Aluminium	Silver The internal dimension: 460x600	
	Window Material	-	-	
Louvers	-	Usable dimension:		
Frame	Material	Steel	1.6t Rust Paint depth width of frame: -	
Door Sill	Material	SUS304	1.5t HL	
Manufacturer		Part number	Remarks	Quantity
Lever handle	MIWA	U9LA50-※ ST BS64	handle: 50 stainless steel HL	1
Door closer	RYOBI	S1002P	Wish stop Color: Silver	1
Flag hinge	-	anactment article	-	3
Frame with Toto rubber	-	anactment article	-	2
With floor Toto	-	anactment article	-	1

00-000000	-
00-000000	-
00-000000	-
00-000000	-
00-000000	-

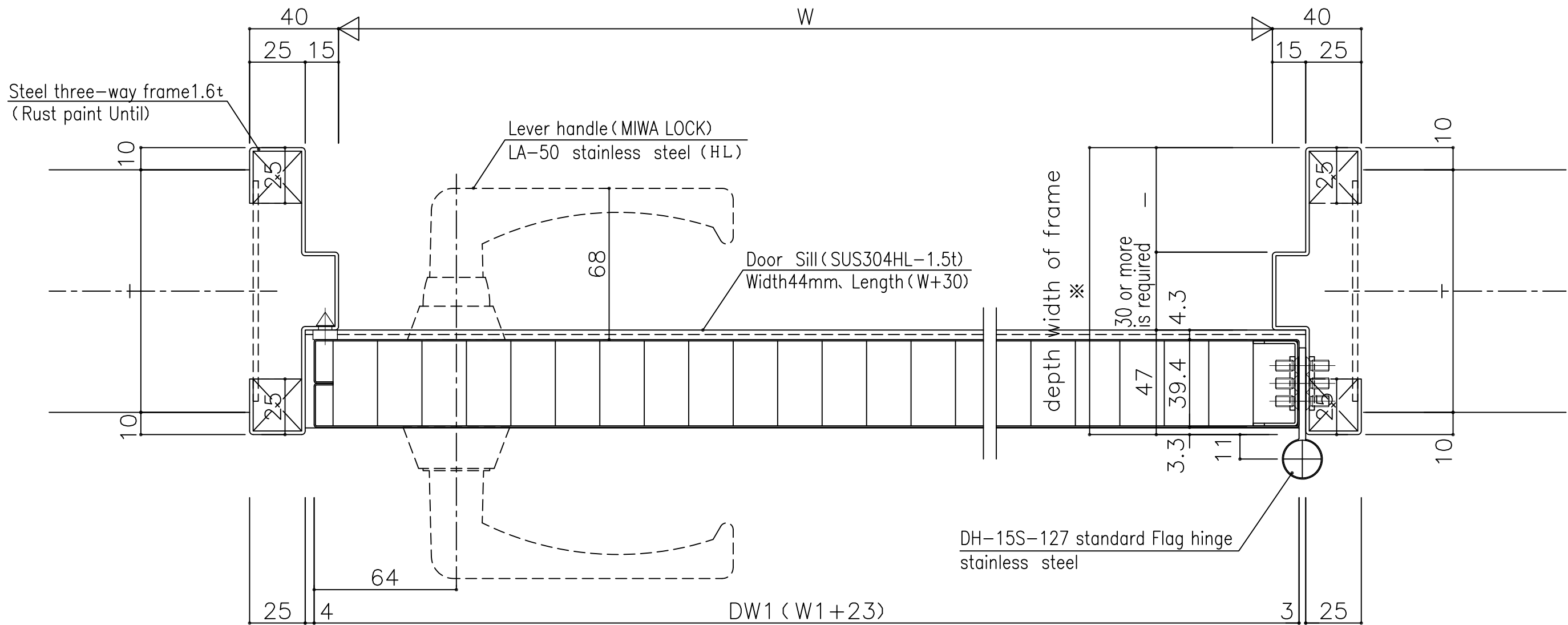
Receipt

Project Title

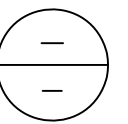
drawing name
Light steel door (Single door)
(Split frame)
LSD Flag hinge (Right)
《Installation view》



Checked by
Checked by
Drawn by
Scale 1/20
Reference No -
Page No 01
Date - - - -

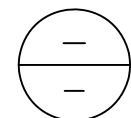
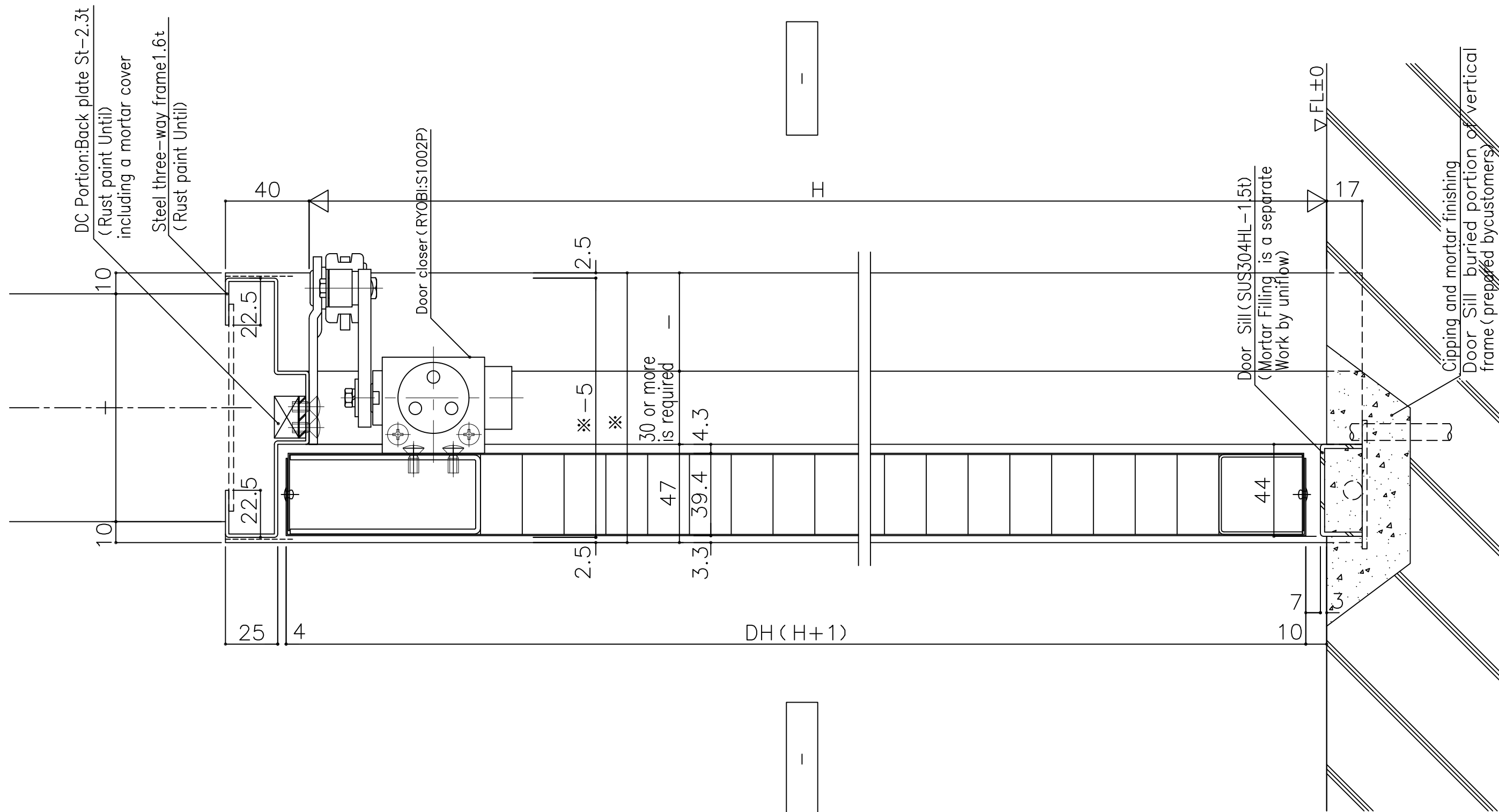


A-A' SECTION



	— ○ — ○ — —	Receipt	Project Title	drawing name Light steel door (Single door) (Split frame) LSD Flag hinge (Right) ◀ Horizontal cross section ▶		Checked by	Checked by	Drawn by	Scale 1/2	Reference No —
	○ ○									Page No 02
	○ ○									Date — ○ — ○ —
	○ ○									

B-B' SECTION



30-000000	-	o	o	o	-
	o	o	o		
	o	o	o		
	o	o	o		
	o	o	o		

Receipt

Project Title

drawing name
 Light steel door (Single door)
 (Split frame)
 LSD Flag hinge (Right)
 ◀ Vertical cross section ▶



Checked by

Checked by

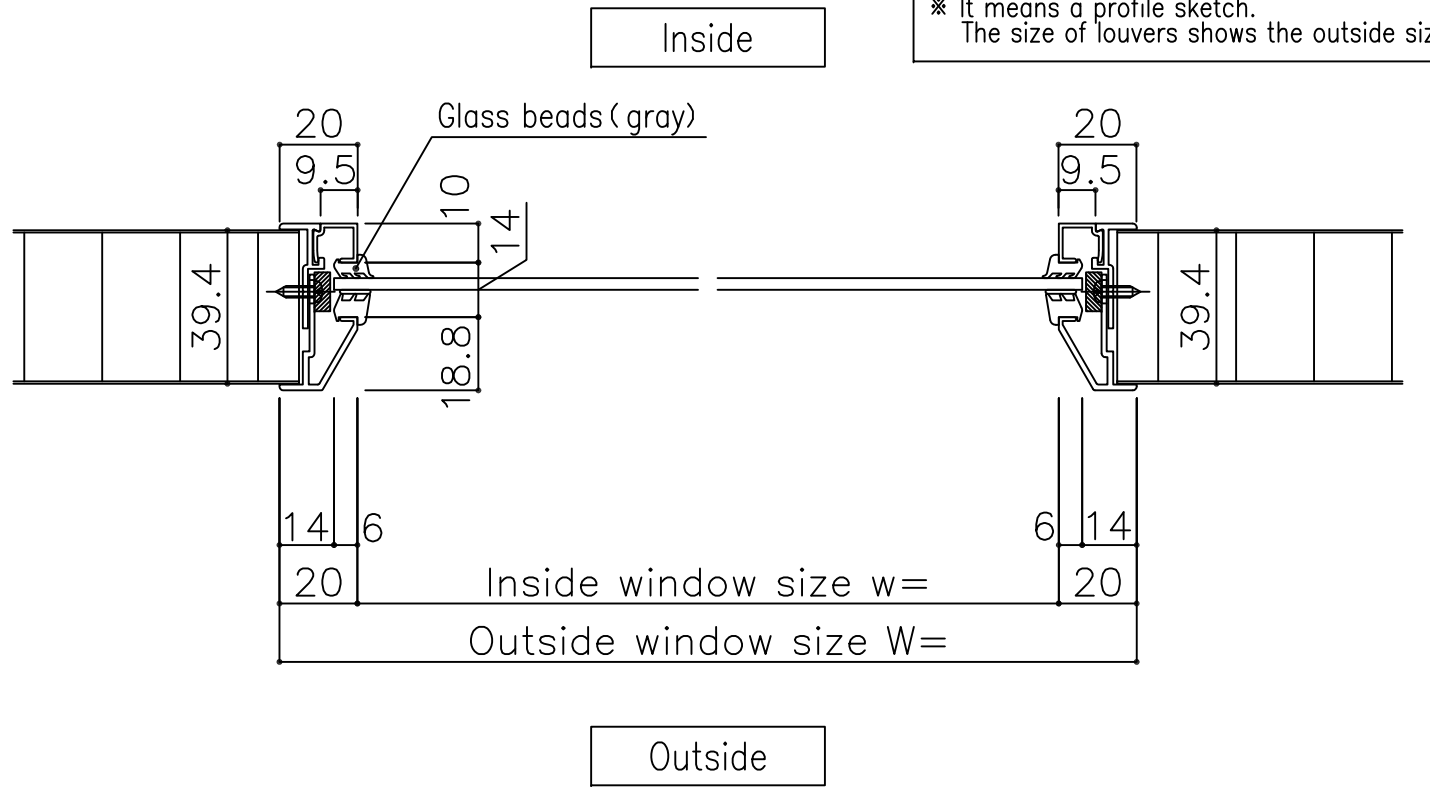
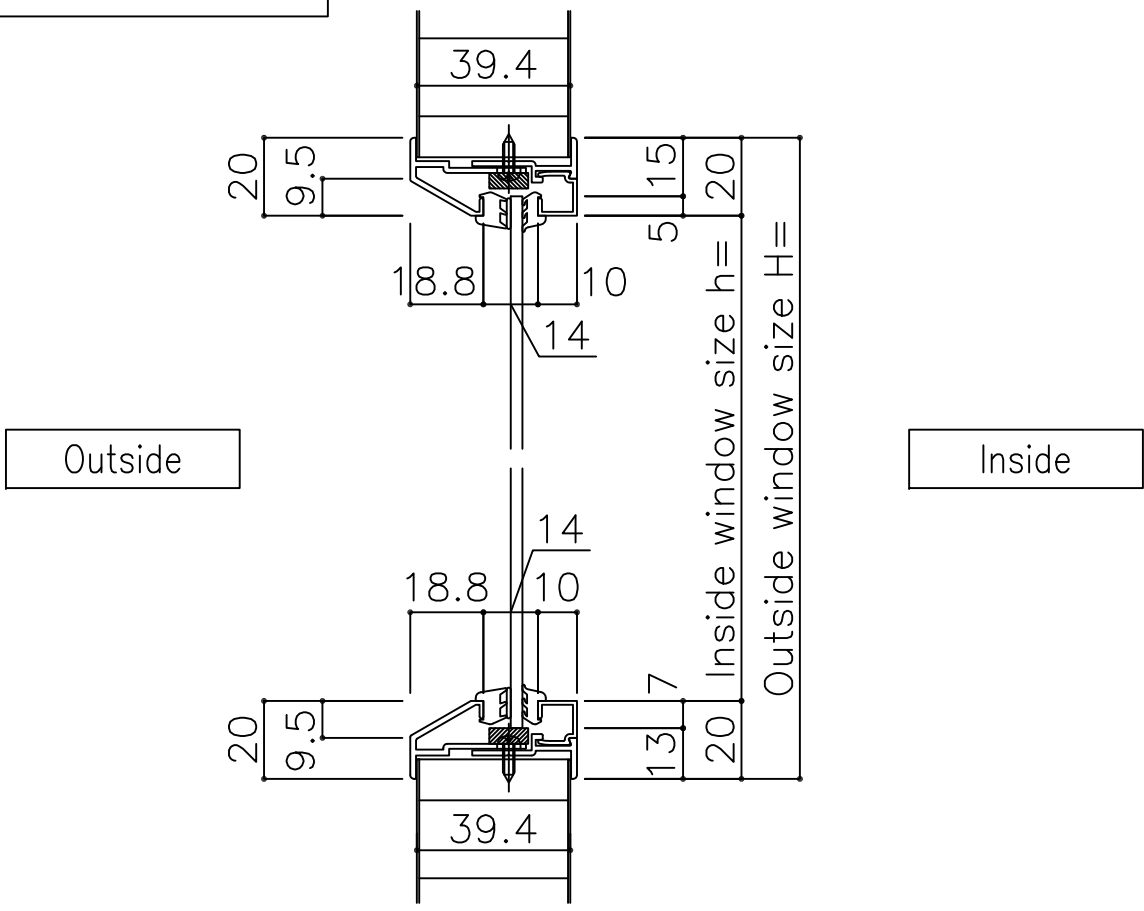
Drawn by

Scale
 1/2

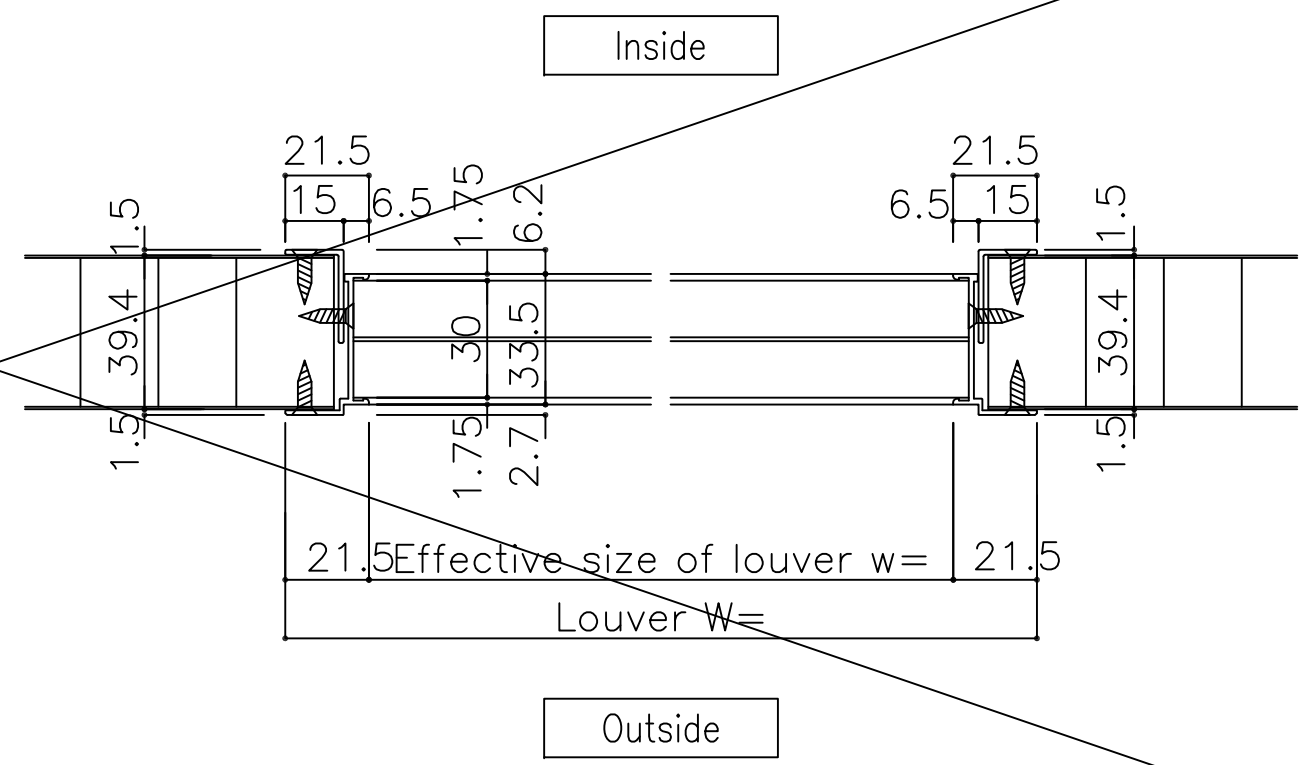
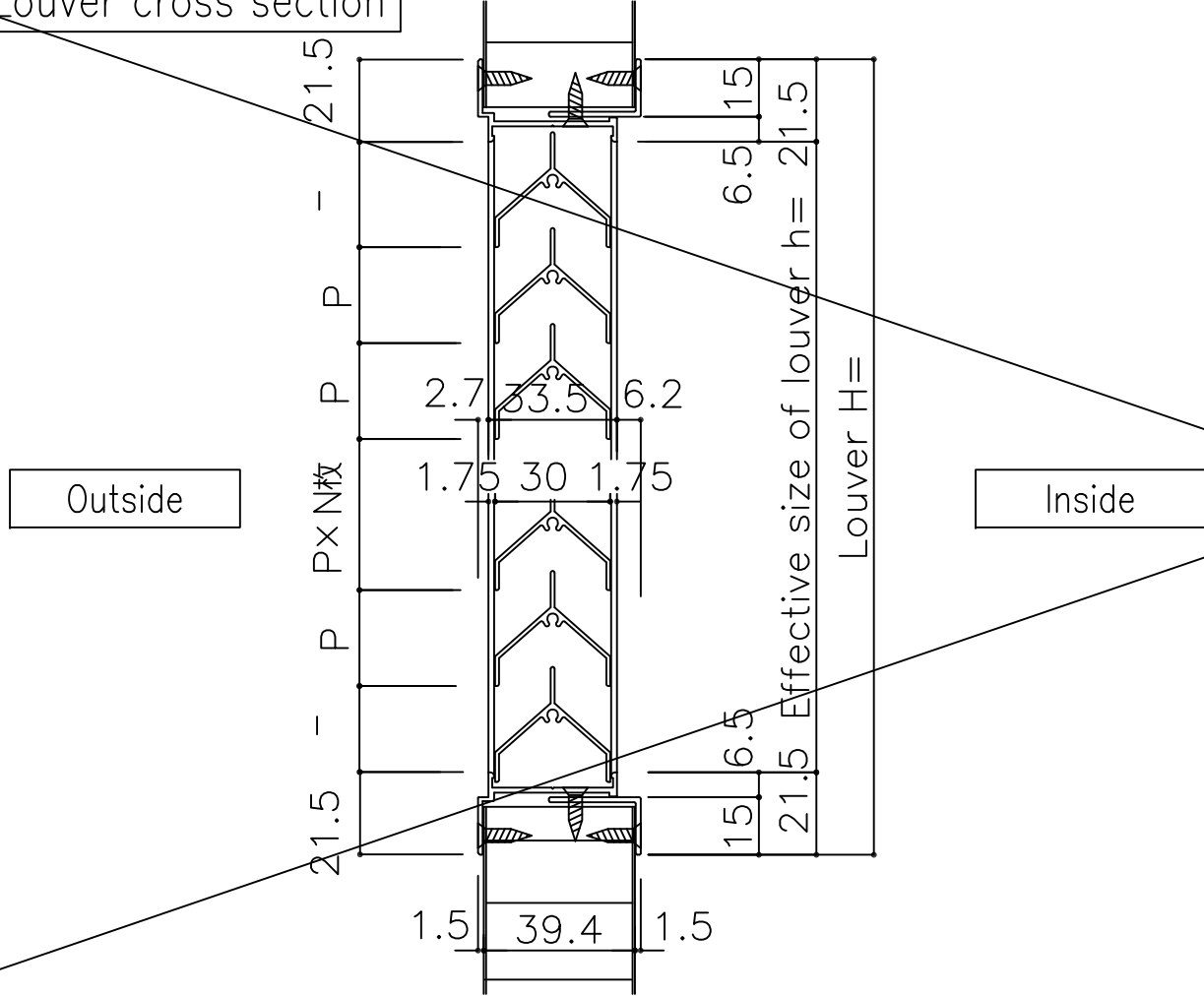
Reference No -
 Page No 03
 Date - . - . -

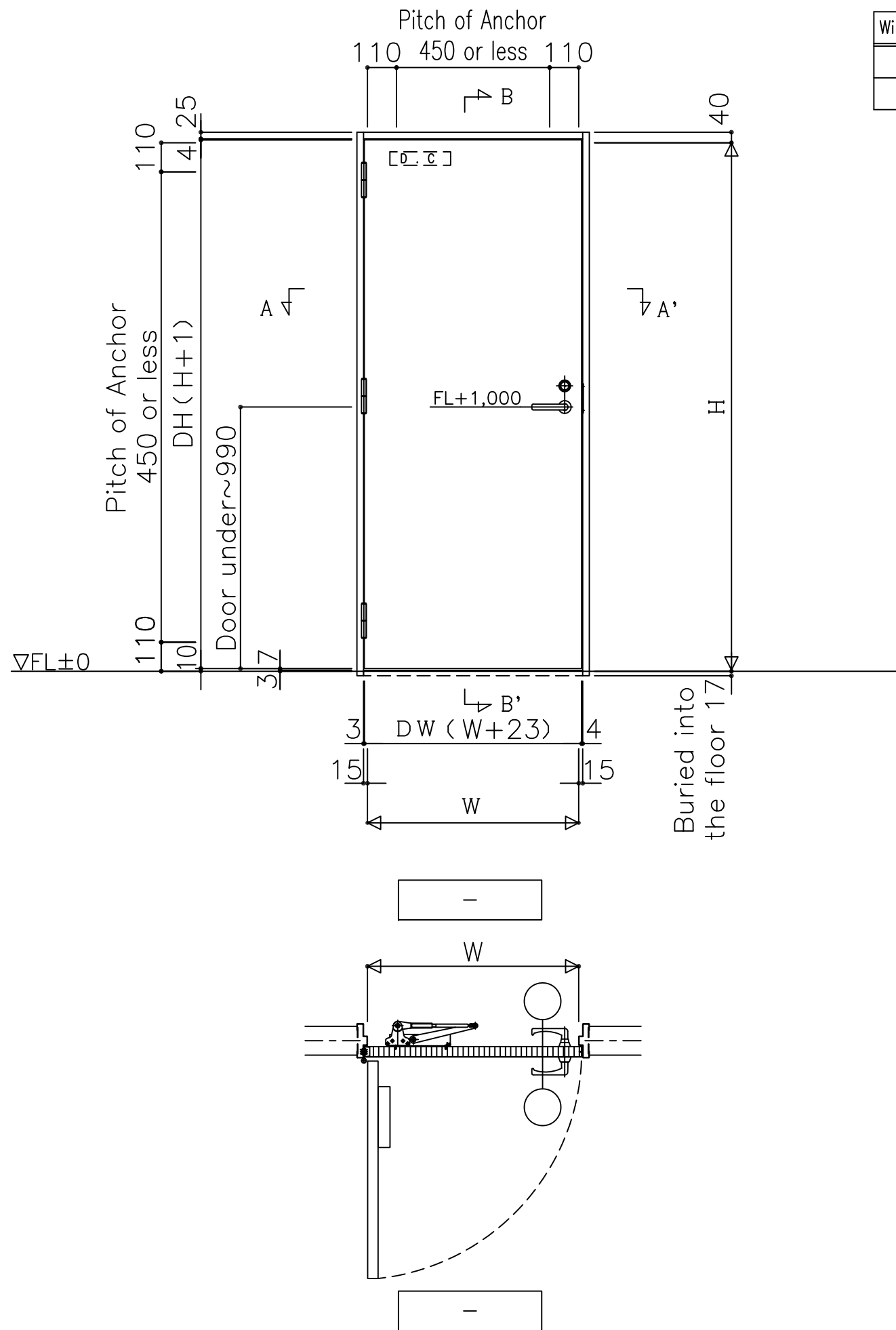
Detail Window cross section

※ Uniflow will arrange the glass beads (glazing beads)
Compatible 3, 4, 5, and 6.8 mm in glass thickness.
※ It means a profile sketch.
The size of louvers shows the outside size.



Detail Louver cross section





DOOR Manufacturable Range

Window effective aperture (W)	Window height (H)	Opening range W	Opening range H
460	600	$750 \leq W \leq 1200$	$1900 \leq H \leq 2300$
No window		$600 \leq W < 750$	$1800 \leq H < 1900$

Sign	Quantity	Mounting location		
	-	~		
Type	Light steel door (Single door) LSD Flag hinge (Left) One-way			
Door	Surface material	Colored Steel Plate	Color: Ivory t=0.6mm	
	Core of the door	Paper Core	-	
	Window frame	-	The internal dimension:	
	Window Material	-	-	
	Louvers	-	Usable dimension:	
Frame	Material	Steel	1.6t Rust Paint depth width of frame: -	
Door Sill	Material	SUS304	1.5t HL	
Manufacturer		Part number	Remarks	Quantity
Lever handle	MIWA	U9LA50-※ ST BS64	handle: 50 stainless steel HL	1
Door closer	RYOBI	S1002P	Wish stop Color: Silver	1
Flag hinge	-	anactment article	-	3
Frame with Toto rubber	-	anactment article	-	2
With floor Toto	-	anactment article	-	1

○	○	○	○	○	○
○	○	○	○	○	○
○	○	○	○	○	○
○	○	○	○	○	○
○	○	○	○	○	○

Receipt

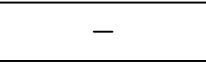
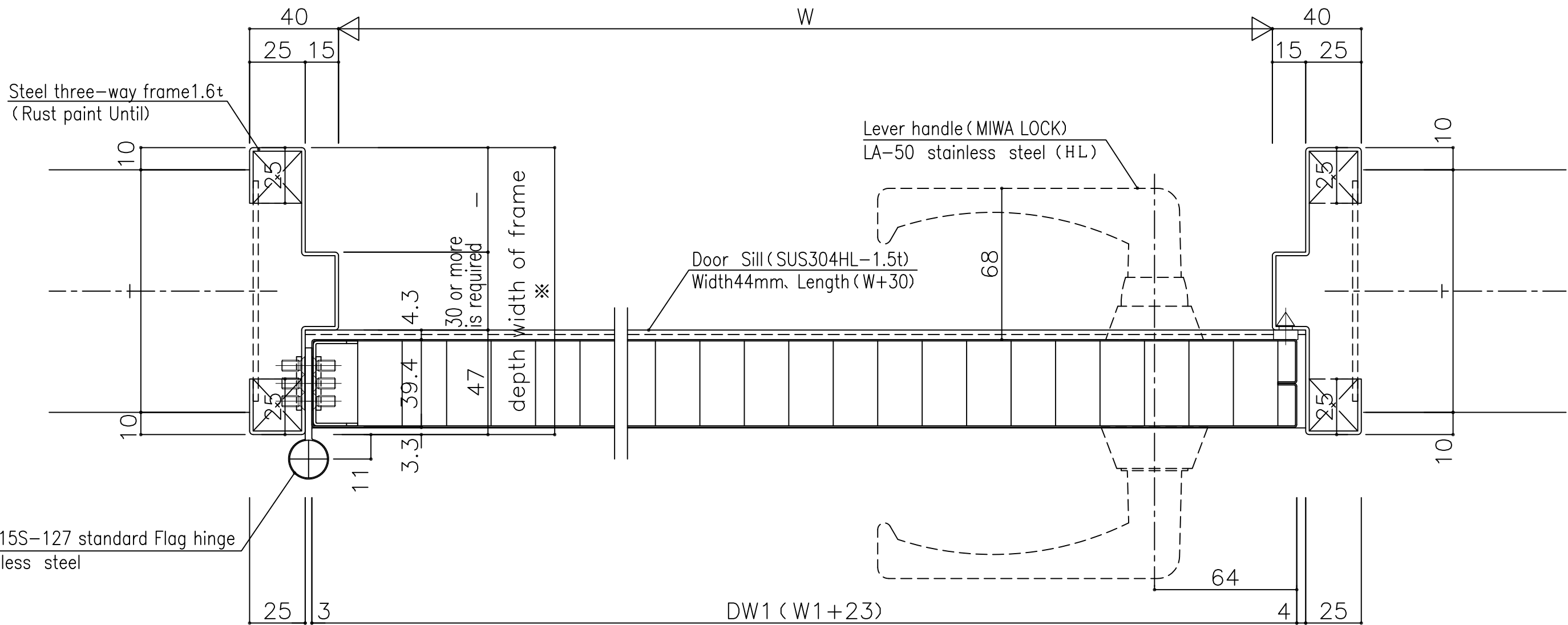
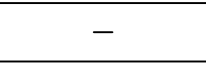
Project Title

drawing name
Light steel door (Single door)
(Split frame)
LSD Flag hinge (Left)
《Installation view》

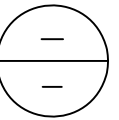


Checked by

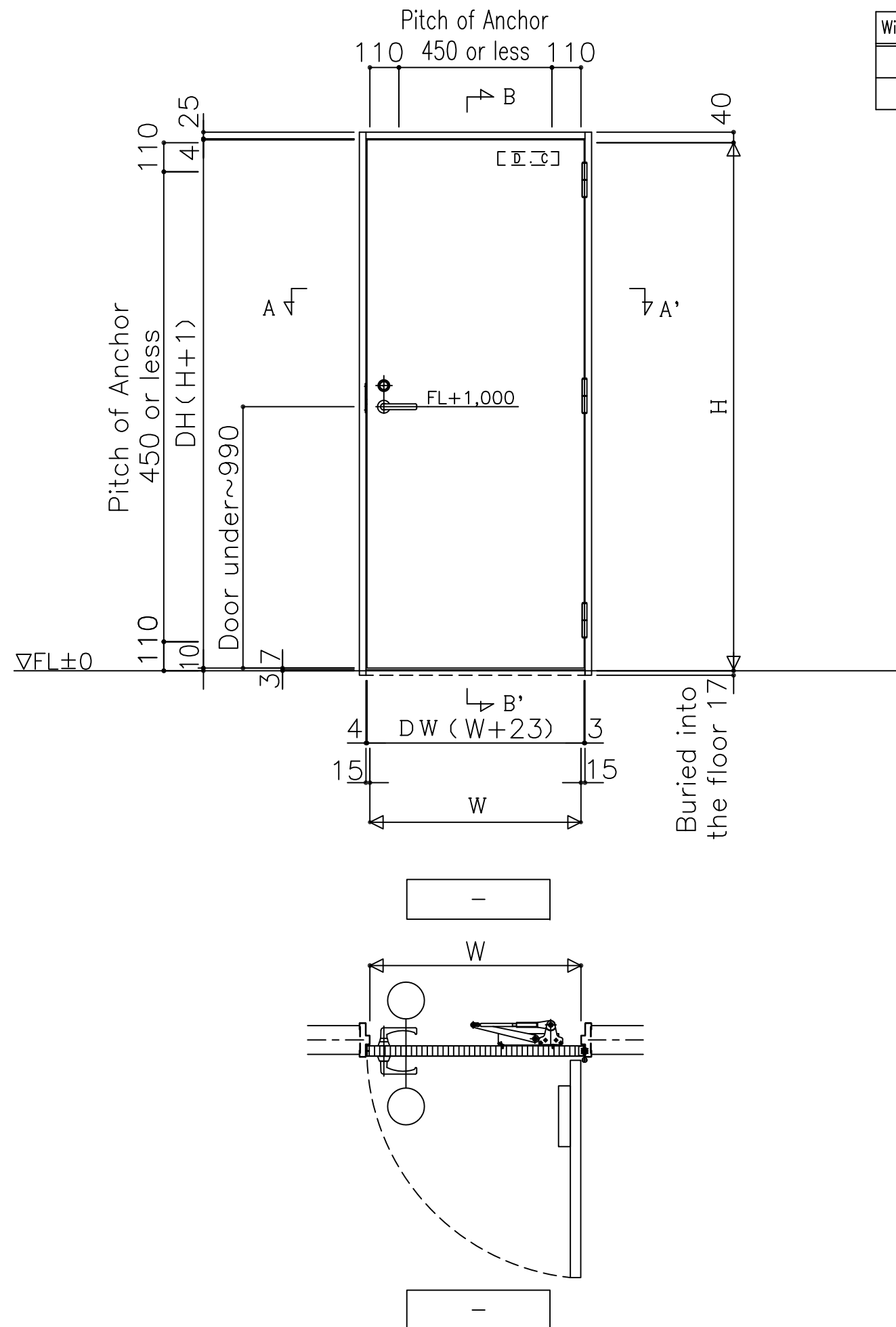
Scale 1/20
Reference No -
Page No 01
Date - - - -



A-A' SECTION



	- o - o - -	Receipt	Project Title	drawing name		Checked by	Checked by	Drawn by	Scale	Reference No
	o o			Light steel door (Single door)			-	-	1/2	-
	o o			(Split frame)					/	Page No
	o o			LSD Flag hinge (Left)						02
o o				◀ Horizontal cross section ▶					Date	- o - o -

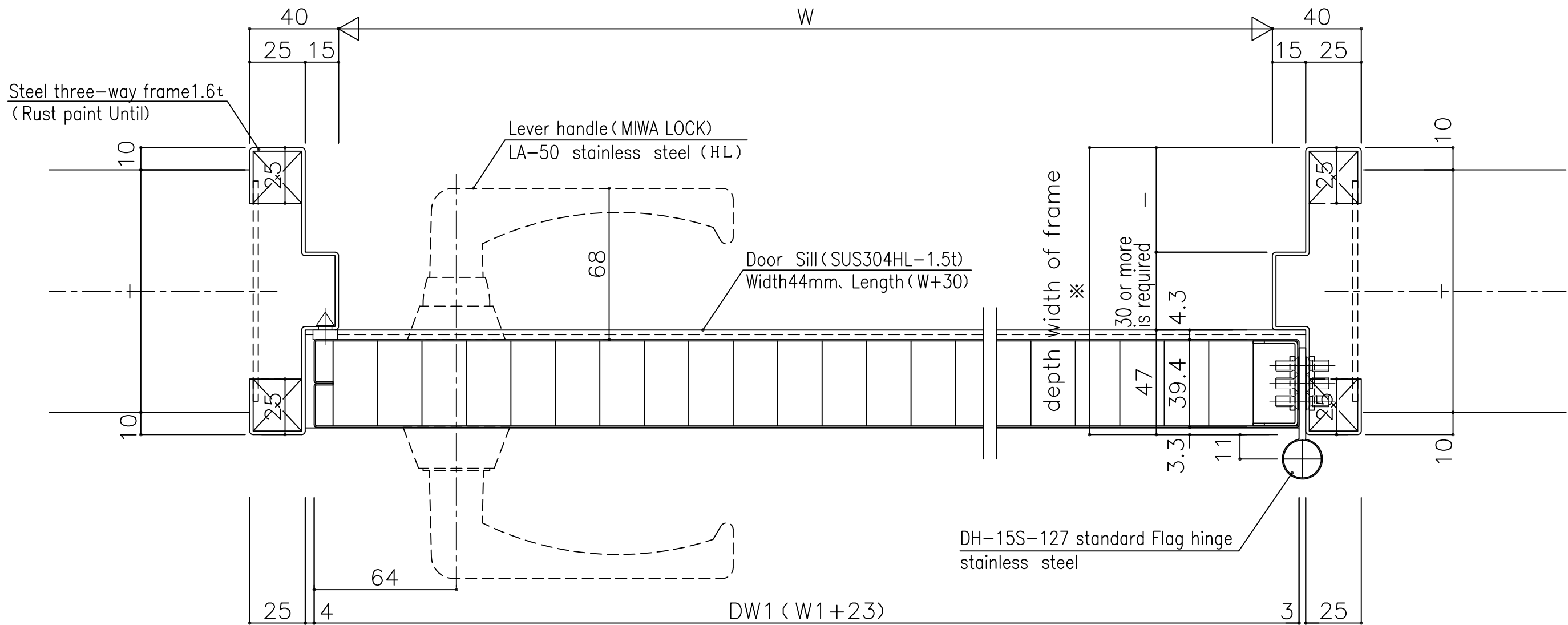


DOOR Manufacturable Range

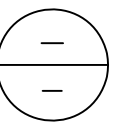
Window effective aperture (W)	Window height (H)	Opening range W	Opening range H
460	600	750 ≤ W ≤ 1200	1900 ≤ H ≤ 2300
No window		600 ≤ W < 750	1800 ≤ H < 1900

Sign	Quantity	Mounting location		
⊖	-	~		
Type	Light steel door (Single door) LSD Flag hinge (Right) One-way			
Door	Surface material	Colored Steel Plate	Color: Ivory t=0.6mm	
	Core of the door	Paper Core	-	
	Window frame	-	The internal dimension:	
	Window Material	-	-	
	Louvers	-	Usable dimension:	
Frame	Material	Steel	1.6t Rust Paint depth width of frame: -	
Door Sill	Material	SUS304	1.5t HL	
Manufacturer		Part number	Remarks	Quantity
Lever handle	MIWA	U9LA50-※ ST BS64	handle: 50 stainless steel HL	1
Door closer	RYOBI	S1002P	Wish stop Color: Silver	1
Flag hinge	-	anactment article	-	3
Frame with Toto rubber	-	anactment article	-	2
With floor Toto	-	anactment article	-	1



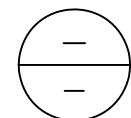
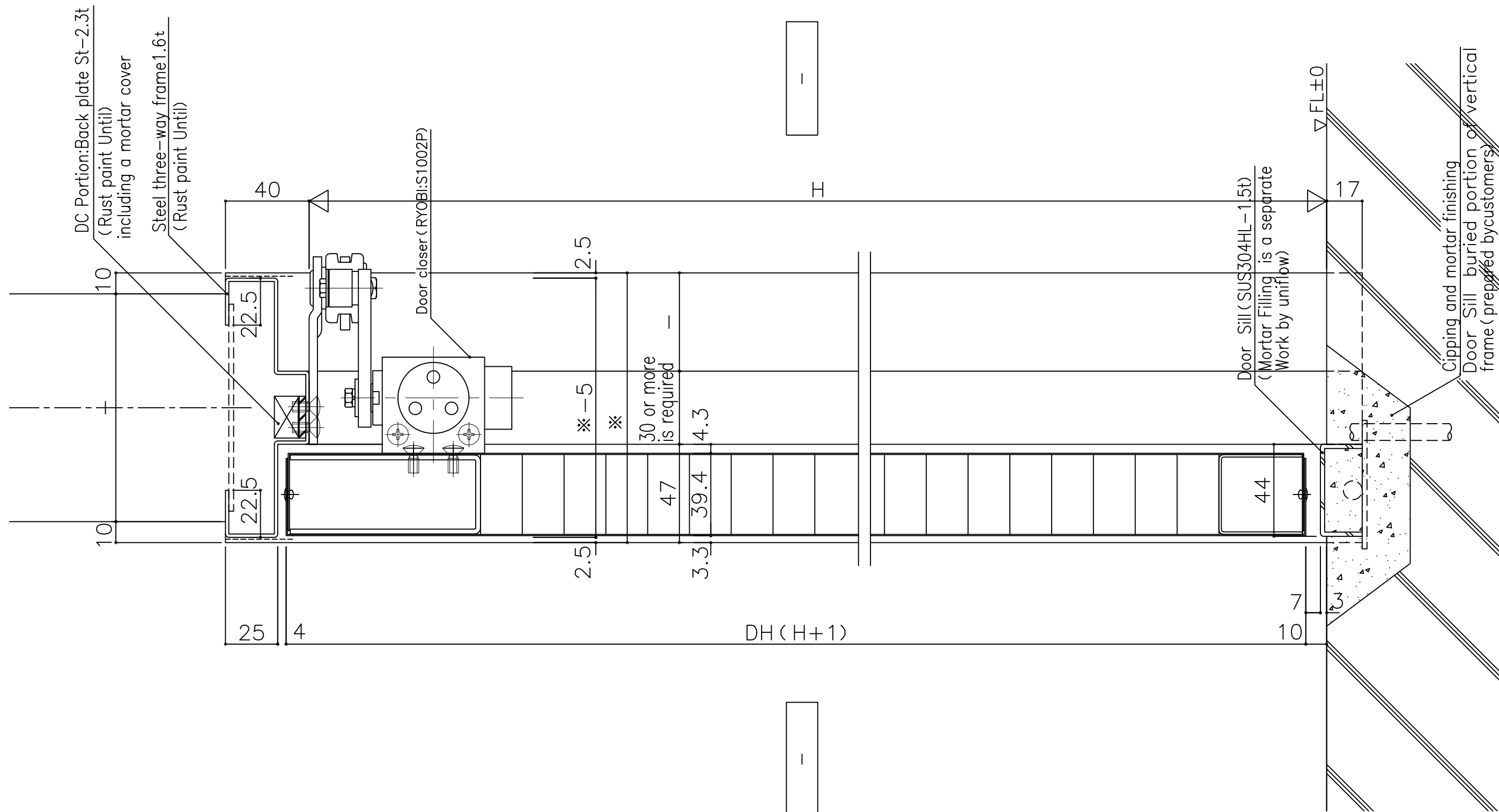


A-A' SECTION



30-000000 00-000000 00-000000 00-000000 00-000000	Receipt	Project Title	drawing name	UNIFLOW	Checked by	Checked by	Drawn by	Scale	Reference No
			Light steel door (Single door) (Split frame)					1/2	-
			LSD Flag hinge (Right)					/	Page No 02
			◀ Horizontal cross section ▶						Date - - - -

B-B' SECTION



30-081100 - - - - - .	Receipt	Project Title	drawing name	UNIFLOW	Checked by	Checked by	Drawn by	Scale	Reference No
			Light steel door (Single door) (Split frame)			-	-	1/2	-
			LSD Flag hinge (Right)					/	Page No
			《Vertical cross section》						Date