

Possible dimensions for production

| | Single leaf | Double leaves |
|--------------------|----------------|----------------|
| Opening width (W) | 415 ≤ W ≤ 1200 | 830 ≤ W ≤ 2400 |
| Opening height (H) | 800 ≤ H ≤ 2400 | |

Window size

| Door width (DW) | Window width | Window height |
|-----------------|--------------|---------------|
| 555 ≤ DW | 355 | 420 |
| 400 ≤ DW < 555 | 200 | 420 |
| DW < 400 | No window | |

- * Window size can be adjusted depending on opening height (H) and the position of window. (confirmation needed)
- * Minimum window size: at least W200mm x H250mm
- * Window position: need more than 500mm from bottom of the door
need more than 200mm from top of the door

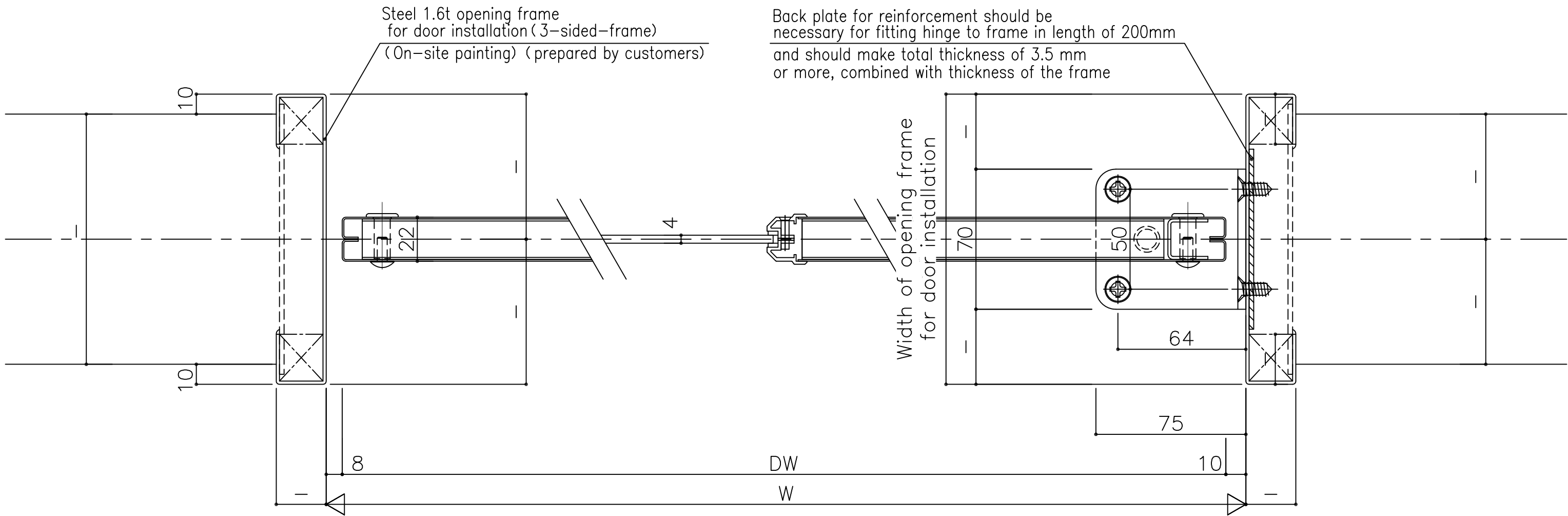
* If DW is less than 400mm or DH is less than 900mm, the door (s) will not have window (s).

* Core of door : Teccell honeycomb core

| No. | Name | Material | Remark | No. | Name | Material | Remark |
|-----|-------------------|-----------------|-------------------------------|-----|---|-------------------------------|--|
| 1 | Surface material | Stainless steel | thickness 0.8 mm | 7 | Hinge cover screw | Stainless steel | +roundhead in dark gray/M4x8 |
| 2 | Window | Acrylic resin | color: clear/thickness 4.0 mm | 8 | Upper bracket in frame side | Stainless steel | Unichrome plating |
| 3 | Window frame | Aluminum | color: alumite silver | 9 | Screw for bracket in frame side | Stainless steel (SUS304) | +flathead/M6 x 15 |
| 4 | Low Head Pin | Stainless steel | M5 nut (low head φ16) | 10 | Screw for lower bracket in frame side | Stainless steel | - |
| 5 | +Truss screw | Stainless steel | +truss screw M5x12 precoat | 11 | Screw for lower bracket in frame side | Stainless steel | +A flathead tapping6x30, with PYplug8x35 |
| 6 | Upper hinge cover | ABS resin | 130 mm x 97 mm x 25.7 mm | 12 | Opening frame for door installation (3-sided-frame) | Steel 1.6t (On-site painting) | Prepared by customers |

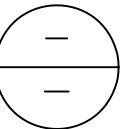
| Sign | Quantity | Installation place |
|-----------|------------------------|---------------------------------------|
| ⊖ | - | ~ |
| Type | UNIFLOW Eco Swing Door | |
| Accessory | Quantity | Model |
| | | Model: SCPR-3 Single leaf/right hinge |
| | | |
| | | |
| | | |
| | | |

-



-

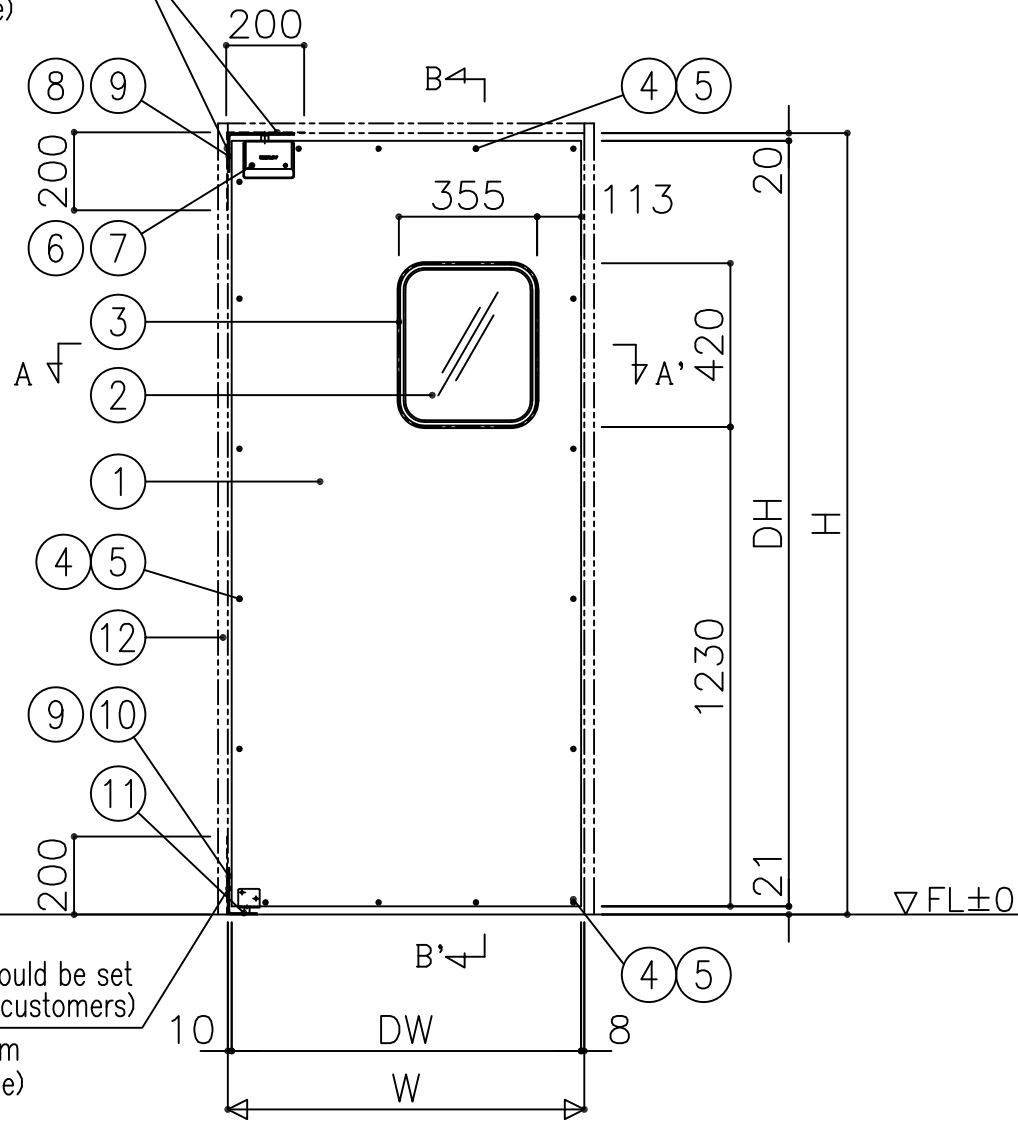
A-A' SECTION



| | | | | | | | | | | | |
|---|---|---------------|---|--------------|---|---------|---------|------------|----------|-------|----------------|
| - | - | Project Title | - | Drawing Name | UNIFLOW Eco Swing Door Model: SCPR-3 Single leaf/right hinge 《Horizontal cross section》 | UNIFLOW | Sale by | Checked by | Drawn by | Scale | Reference No - |
| - | - | | | | | | - | - | - | 1/2 | Page No 02 |
| - | - | | | | | | | | | / | Date - - - - - |

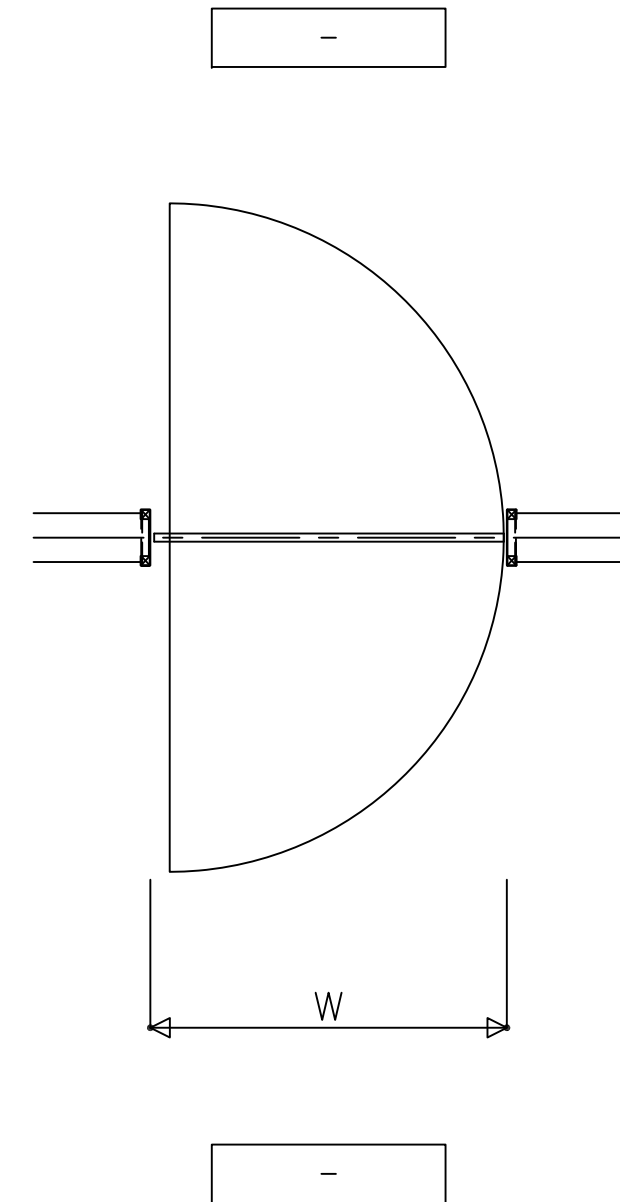
Back-plate for fixing bracket should be set for reinforcement (prepared by customers)

Thickness 3.5mm more L:200mm (including the thickness of frame)



Back-plate for fixing bracket should be set for reinforcement (prepared by customers)

Thickness 3.5mm more L:200mm (including the thickness of frame)



Possible dimensions for production

| | Single leaf | Double leaves |
|--------------------|----------------|----------------|
| Opening width (W) | 415 ≤ W ≤ 1200 | 830 ≤ W ≤ 2400 |
| Opening height (H) | 800 ≤ H ≤ 2400 | |

Window size

| Door width (DW) | Window width | Window height |
|-----------------|--------------|---------------|
| 555 ≤ DW | 355 | 420 |
| 400 ≤ DW < 555 | 200 | 420 |
| DW < 400 | No window | |

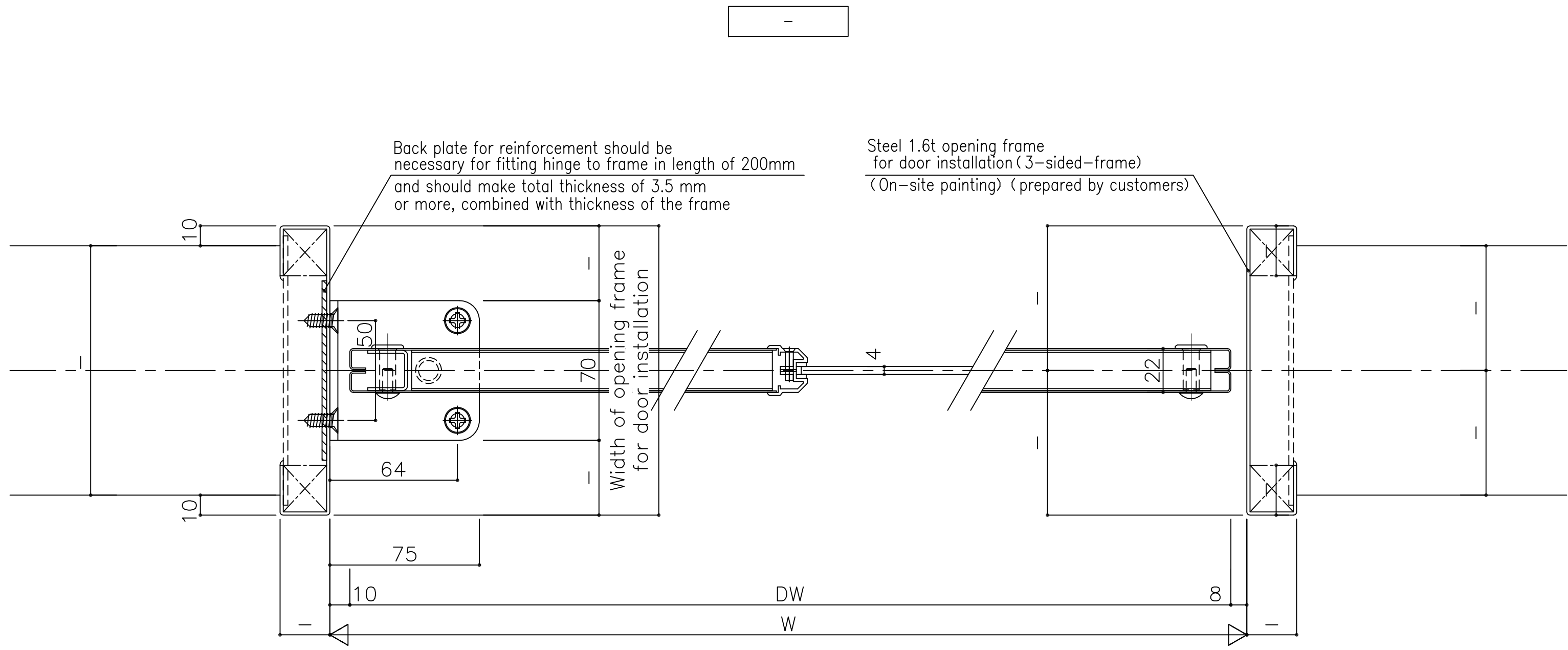
- ※ Window size can be adjusted depending on opening height (H) and the position of window. (confirmation needed)
- ※ Minimum window size: at least W200mm x H250mm
- ※ Window position: need more than 500mm from bottom of the door
need more than 200mm from top of the door

※ If DW is less than 400mm or DH is less than 900mm, the door(s) will not have window(s).

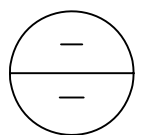
※ Core of door : Teccell honeycomb core

| No. | Name | Material | Remark | No. | Name | Material | Remark |
|-----|-------------------|-----------------|-------------------------------|-----|---|-------------------------------|--|
| 1 | Surface material | Stainless steel | thickness 0.8 mm | 7 | Hinge cover screw | Stainless steel | +roundhead in dark gray/M4x8 |
| 2 | Window | Acrylic resin | color: clear/thickness 4.0 mm | 8 | Upper bracket in frame side | Stainless steel | Unichrome plating |
| 3 | Window frame | Aluminum | color: alumite silver | 9 | Screw for bracket in frame side | Stainless steel (SUS304) | +flathead/M6 x 15 |
| 4 | Low Head Pin | Stainless steel | M5 nut (low head φ 16) | 10 | Screw for lower bracket in frame side | Stainless steel | - |
| 5 | +Truss screw | Stainless steel | +truss screw M5x12 precoat | 11 | Screw for lower bracket in frame side | Stainless steel | +A flathead tapping6x30, with PYplug8x35 |
| 6 | Upper hinge cover | ABS resin | 130 mm x 97 mm x 25.7 mm | 12 | Opening frame for door installation (3-sided-frame) | Steel 1.6t (On-site painting) | Prepared by customers |

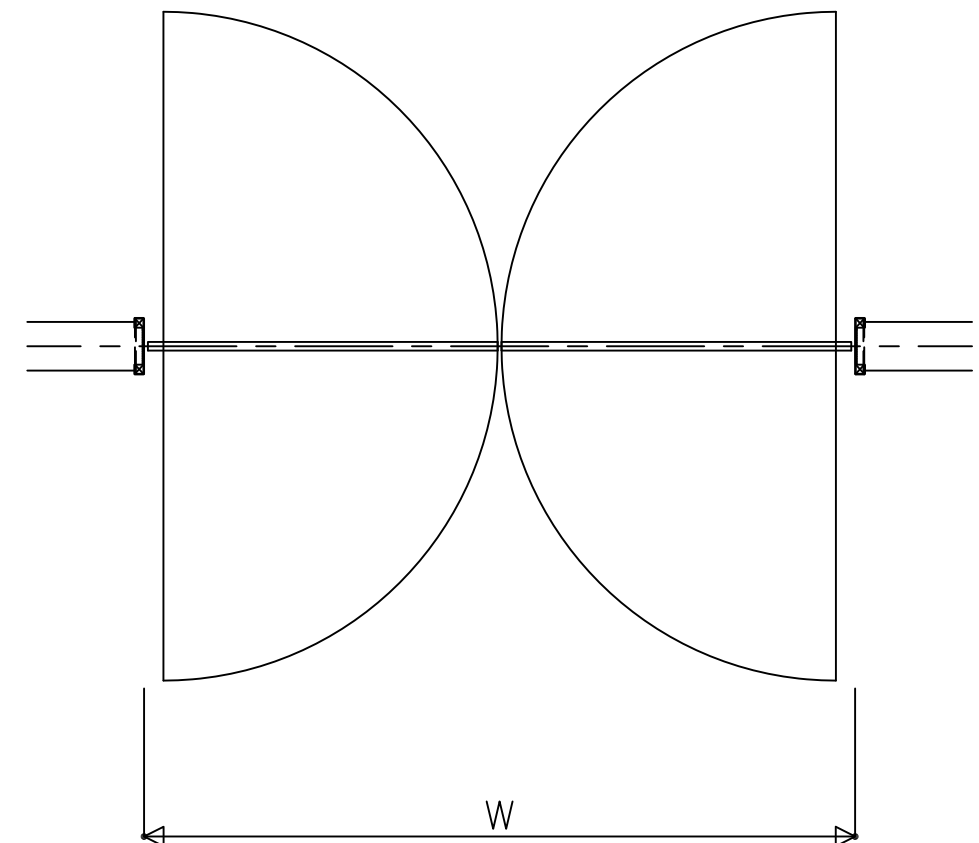
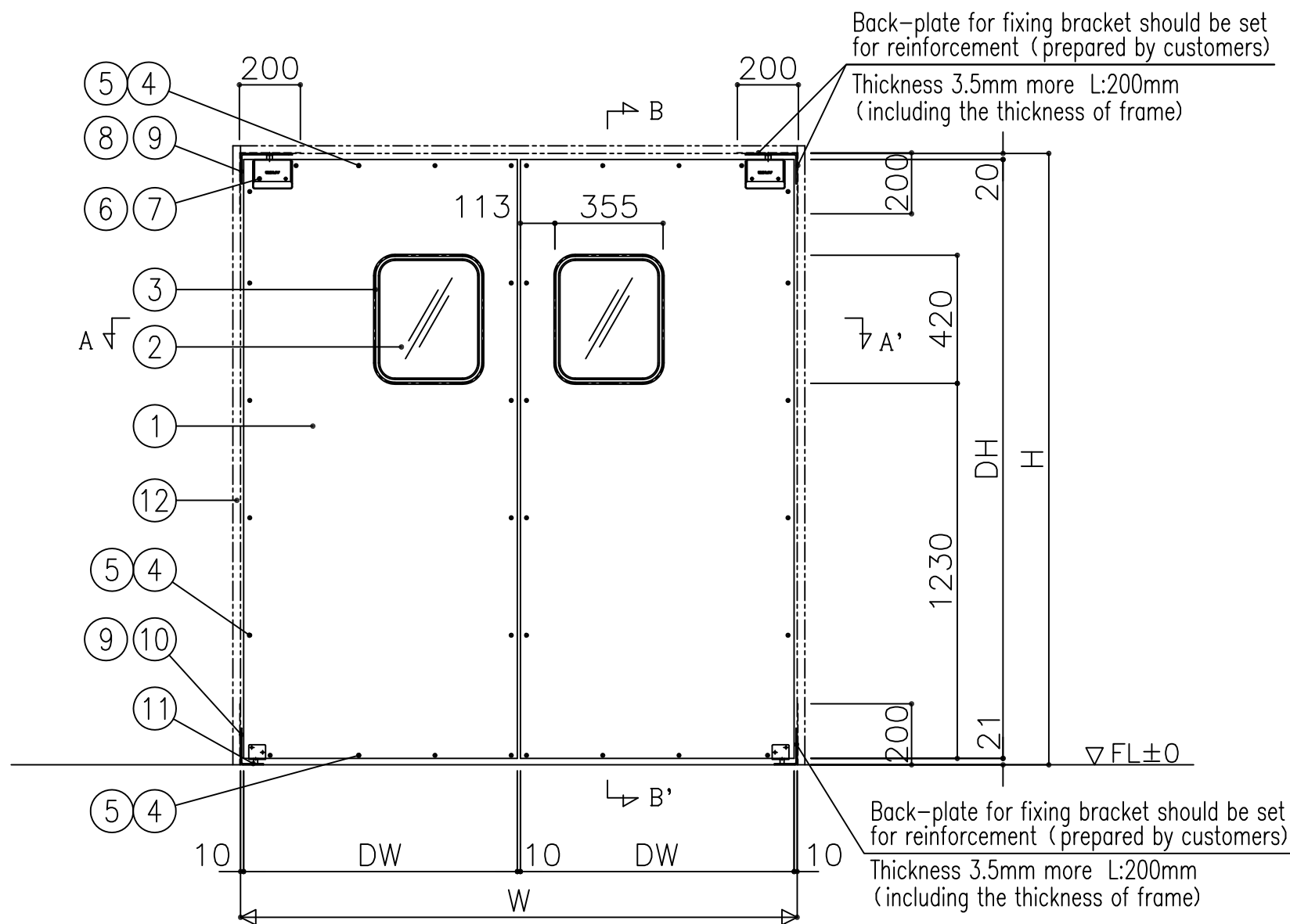
| Sign | Quantity | Installation place |
|-----------|------------------------|--------------------------------------|
| ⊖ | - | ~ |
| Type | UNIFLOW Eco Swing Door | |
| Accessory | Quantity | Model |
| | | Model: SCPR-3 Single leaf/left hinge |
| | | |
| | | |
| | | |
| | | |



A-A' SECTION



| | | | | | | | |
|--|---------------|--------------------------------------|---------|------------|----------|-------|----------------|
| | Project Title | Drawing Name | Sale by | Checked by | Drawn by | Scale | Reference No |
| | - | UNIFLOW Eco Swing Door | - | - | - | 1/2 | - |
| | - | Model: SCPR-3 Single leaf/left hinge | - | - | - | / | Page No 04 |
| | - | 《Horizontal cross section》 | - | - | - | / | Date - . - . - |



Possible dimensions for production

| | Single leaf | Double leaves |
|--------------------|----------------|----------------|
| Opening width (W) | 415 ≤ W ≤ 1200 | 830 ≤ W ≤ 2400 |
| Opening height (H) | 800 ≤ H ≤ 2400 | |

Window size

| Door width (DW) | Window width | Window height |
|-----------------|--------------|---------------|
| 555 ≤ DW | 355 | 420 |
| 400 ≤ DW < 555 | 200 | 420 |
| DW < 400 | No window | |

- ※ Window size can be adjusted depending on opening height (H) and the position of window. (confirmation needed)
- ※ Minimum window size: at least W200mm x H250mm
- ※ Window position: need more than 500mm from bottom of the door
need more than 200mm from top of the door

※ Core of door : Teccell honeycomb core
 ※ If DW is less than 400mm or DH is less than 900mm,
 the door (s) will not have window (s) .

| No. | Name | Material | Remark | No. | Name | Material | Remark |
|-----|-------------------|-----------------|-------------------------------|-----|---|-------------------------------|--|
| 1 | Surface material | Stainless steel | thickness 0.8 mm | 7 | Hinge cover screw | Stainless steel | +roundhead in dark gray/M4x8 |
| 2 | Window | Acrylic resin | color: clear/thickness 4.0 mm | 8 | Upper bracket in frame side | Stainless steel | Unichrome plating |
| 3 | Window frame | Aluminum | color: alumite silver | 9 | Screw for bracket in frame side | Stainless steel (SUS304) | +flathead/M6 x 15 |
| 4 | Low Head Pin | Stainless steel | M5 nut (low head φ16) | 10 | Screw for lower bracket in frame side | Stainless steel | - |
| 5 | +Truss screw | Stainless steel | +truss screw M5x12 precoat | 11 | Screw for lower bracket in frame side | Stainless steel | +A flathead tapping6x30, with PYplug8x35 |
| 6 | Upper hinge cover | ABS resin | 130 mm x 97 mm x 25.7 mm | 12 | Opening frame for door installation (3-sided-frame) | Steel 1.6t (On-site painting) | Prepared by customers |

| Sign | Quantity | Installation place |
|-----------|------------------------|-----------------------------|
| ⊖ | - | ~ |
| Type | UNIFLOW Eco Swing Door | |
| Accessory | Quantity | Model |
| | | Model: SCPR-3 Double leaves |
| | | |
| | | |
| | | |

Project Title

Drawing Name

UNIFLOW Eco Swing Door
 Model: SCPR-3 Double leaves
 《Installation view》

UNIFLOW

Sale by

Checked by

Drawn by

Scale

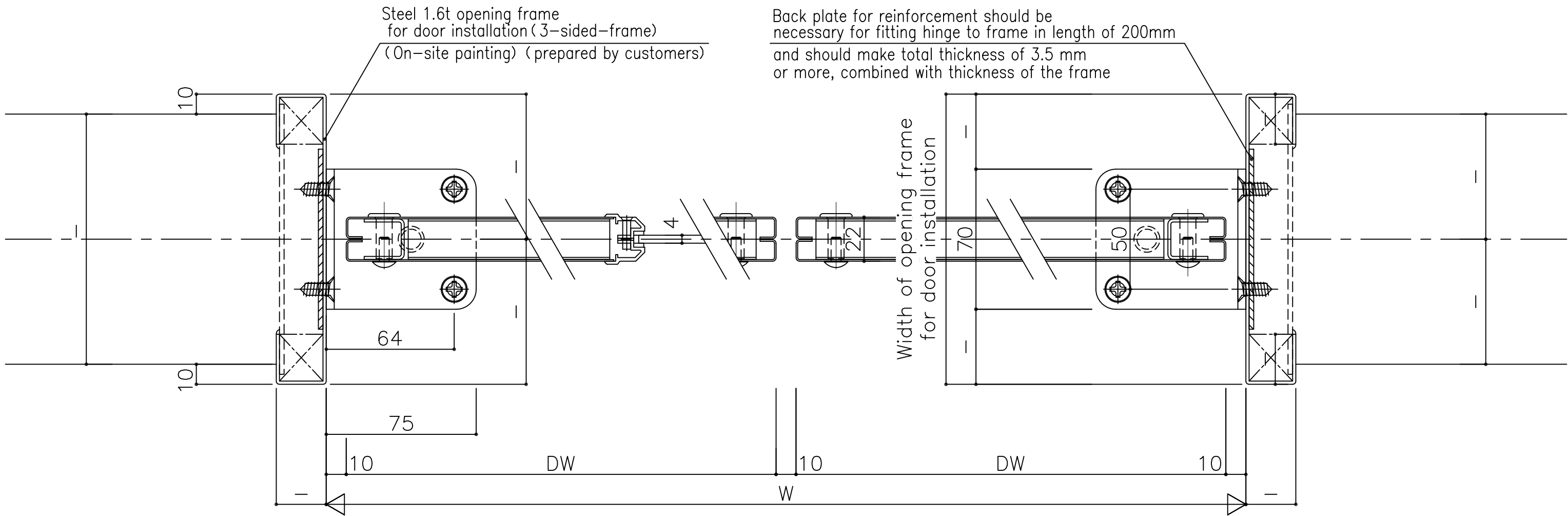
1/20

Reference No -

Page No 05

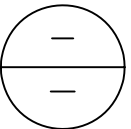
Date - . - . -

-



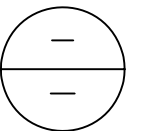
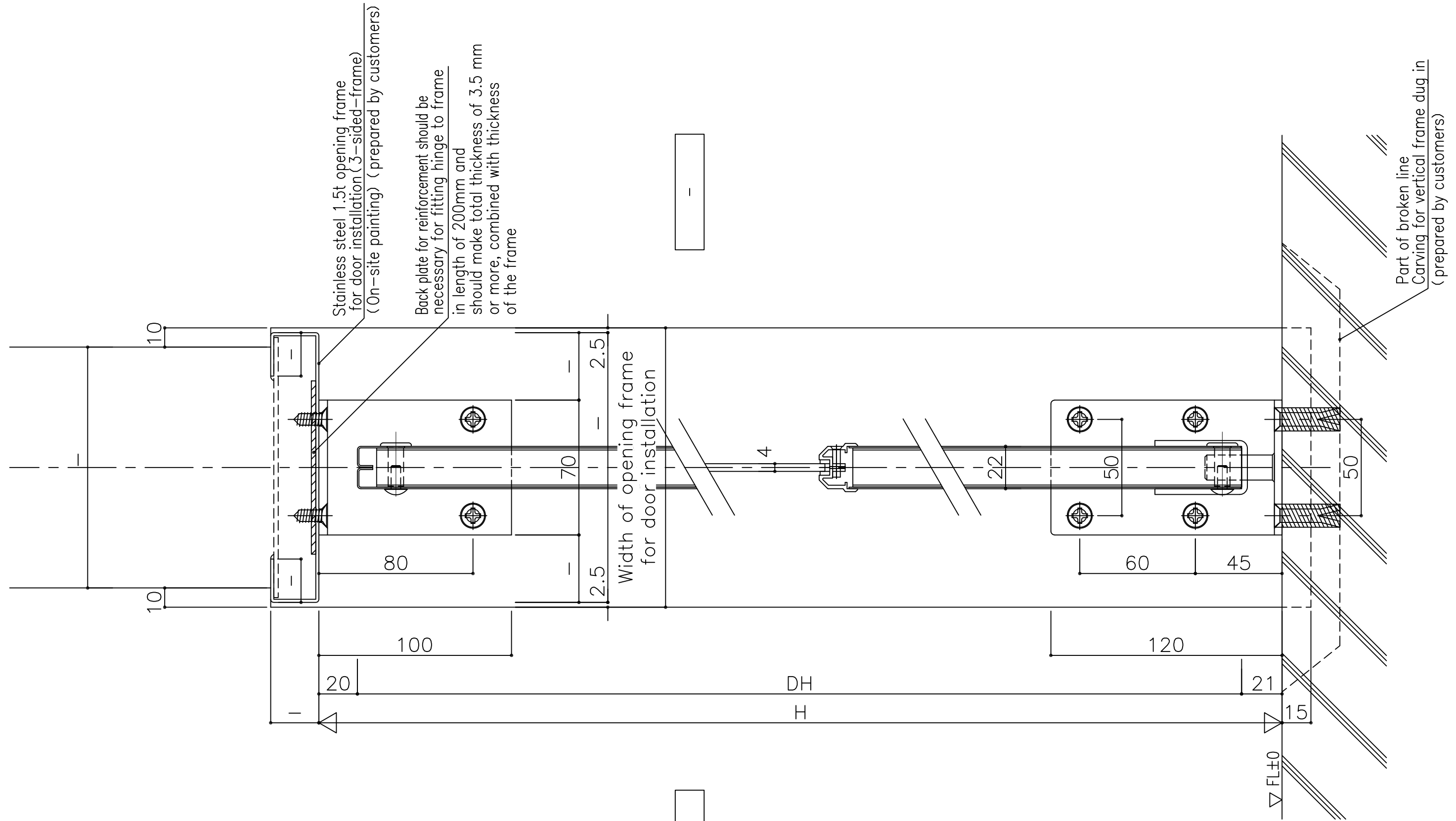
-

A-A' SECTION



| | | | | | | | | |
|--|---------------|-----------------------------|--|---------|------------|----------|-------|----------------|
| | Project Title | Drawing Name | | Sale by | Checked by | Drawn by | Scale | Reference No - |
| | - | UNIFLOW Eco Swing Door | | - | - | - | 1/2 | Page No 06 |
| | - | Model: SCPR-3 Double leaves | | - | - | - | / | Date - . - . - |
| | - | 《Horizontal cross section》 | | - | - | - | | |

B-B' SECTION



| | | | | |
|---|---|---|---|---|
| - | ○ | ○ | ○ | - |
| ○ | ○ | ○ | ○ | |
| ○ | ○ | ○ | ○ | |
| ○ | ○ | ○ | ○ | |
| ○ | ○ | ○ | ○ | |

| | |
|---------------|---|
| Project Title | - |
| | - |

| | |
|--------------|---|
| Drawing Name | UNIFLOW Eco Swing Door Model: SCPR-3 《Vertical cross section》 |
|--------------|---|



| | | |
|---------|------------|----------|
| Sale by | Checked by | Drawn by |
| - | - | - |

| | |
|-------|-----|
| Scale | 1/2 |
|-------|-----|

| | |
|--------------|-----------|
| Reference No | - |
| Page No | 07 |
| Date | - . - . - |