



Traditional counter doors have been ...

Won't fully close

Hinges are broken

It hits hard and it hurts

The Mini Swing Door of the UNIFLOW  
**creates a comfortable touch and a stylish space.**

## Stylish Mini Swing Door



**point 1** **Ultra-lightweight!  
Secure design for users**

The Mini Swing Door P-type realizes drastic lighter weight, about 60% less\* compared to traditional models by eliminating the core member of the door. It comes not only with a lighter touch to enable opening, but also without any harm to users when bouncing back.

Comparison with our existing product Mini Swing Door ML-1 regarding total weight

**point 2** **Always secure and a stationary stop at center**

The P-type is light but always closes and stops at the center. No more lazy dangling. Even any possible shift of centering position due to frequent use can be adjusted by a spacer.

**point 3** **Rich color variation to create your shop space**

The P-type, favorite from its launch, comes with new frame colors for stylish space creation. Three colors in variations of white, brown, and black. You can freely create your shop space by attaching a sheet of your taste, such as monotone or wood grain, for the panel portion. Special order color is available for chain stores. Please contact our sales representative for you.



White

Brown

Black

\* Color variation includes options of color cross and frame printing.

## Image of installation



Black



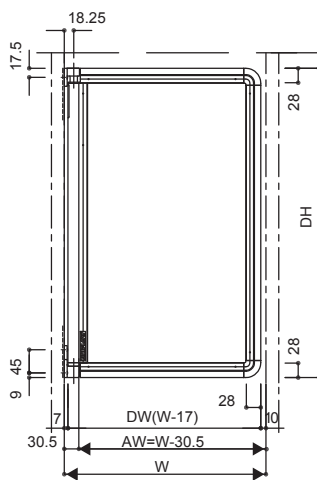
Brown



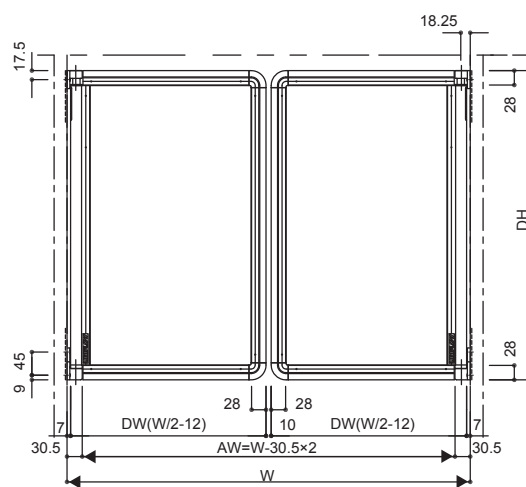
White

## Space diagram

●For one side opening

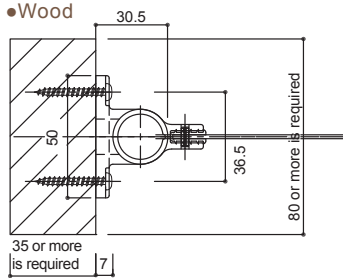


●For both sides opening



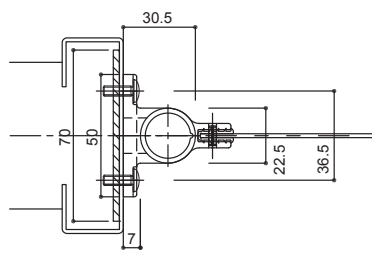
## Door installation diagram

●Wood



Prepare a doorframe of 80 mm or more, an insertion dimension of 35 mm or more,

●Steel or stainless



Prepare a doorframe of 80 mm or more, back-plate reinforcement width of 70 mm or more, and a thickness of 3.5 mm or more.

## Specification

Model	① MP - 1a, ② MP - 2 <b>NEW</b>	
Space to prepare	Frame opening	Single door opening: W300 mm to 700 mm Double door opening: W600 mm to 1400 mm
	Actual height	H400mm~1500mm
	Please contact us for dimension other than above	
Specification	Frame color*	White/Brown/ Black/ Standard (silver)
	Door thickness	22.5 mm (at hinges)
	Door weight	3.2 kg (max dimension)
Component members	Surface member	①Special aluminum alloy plate 1.6 t ②Aluminium composite material (ACM) 3.0t (White/Brown/Black)
	Door end shaft	Aluminum extrusion alloy member
	Hinge	POM (polyacetal)
	Gasket	PVC (vinyl chloride)
	Lace	Aluminum extrusion alloy member
	Corner joint	ABS

★ Frame means portions other than the surface member and hinges.

**UNIFLOW**

Uniflow International Pte. Ltd

81, Ubi Avenue 4, #07-07 UB. One, Singapore 408830

TEL:+65-6536-3239

URL <https://www.uniflow.co.jp/en/>